

**NOTE: PRODUCT DOES NOT INCLUDE BASKET WASTE**

SPECIFICATIONS	
RECOMMENDED USE	Domestic, Commercial
COLOUR AVAILABILITY	White
MATERIAL	Ceramic
INSTALLATION	Undermount, Flushmount
OVERFLOW	N/A
LITRE	58 Litres
WEIGHT	43.8 kg

# INSTALLATION GUIDE - UNDERMOUNT SINK

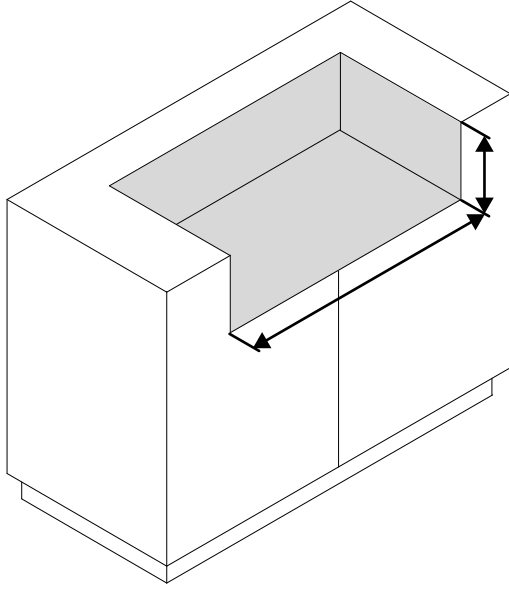


Note: This product must be installed by a **licensed tradesperson**.  
This is a general installation guide - there are many factors that are involved that can alter the installation method.

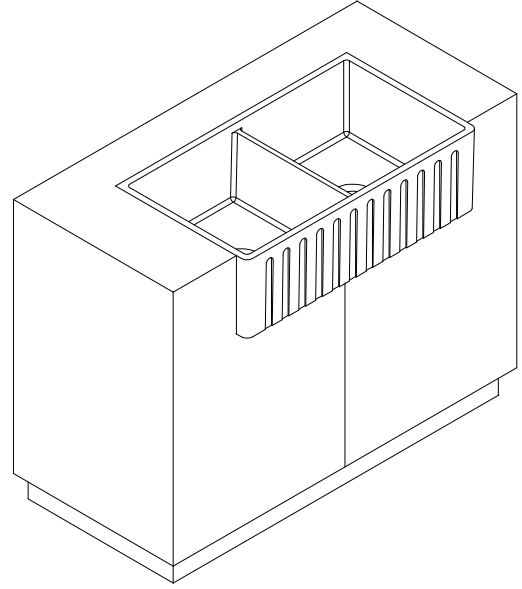
- 1 Note: this basin can only be installed into new cabinetry & benchtops by a **licensed tradesperson**.

The sink must be available to tradespeople for taking measurements at time of manufacture. **ABI** is unable to provide templates due to variations in the material of the product.

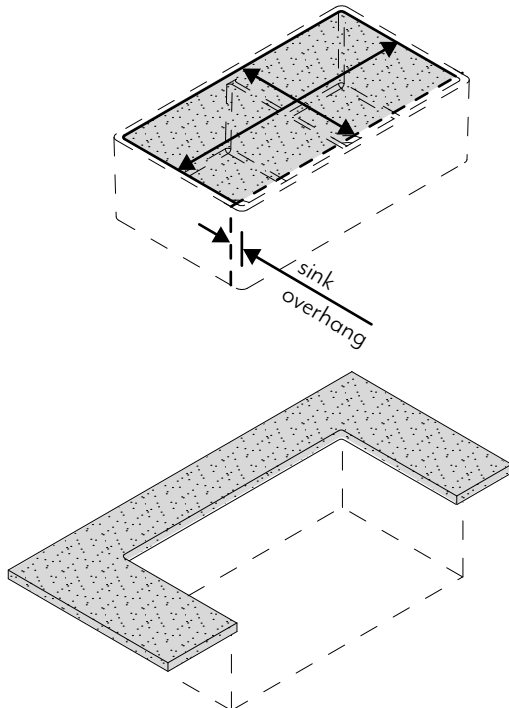
Allow for the cabinetry to be designed so the sink front is sitting proud of cabinetry



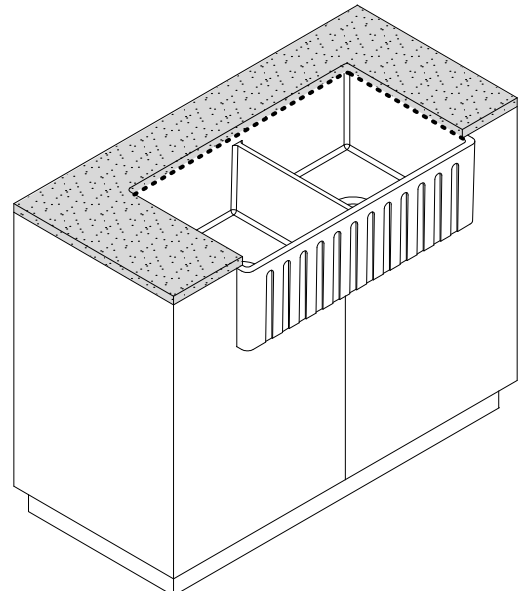
- 2 Mount the sink into the cabinet shelf ensuring the sink is level with the cabinet top.



- 3 Cut the bench-top using the external measurements of the sink perimeter in conjunction with the desired sink overhang and cabinetry shelf.



- 4 Install the benchtop & apply adhesive to sink perimeter. Wipe away any excess adhesive sealant.



# INSTALLATION GUIDE - FLUSHMOUNT SINK

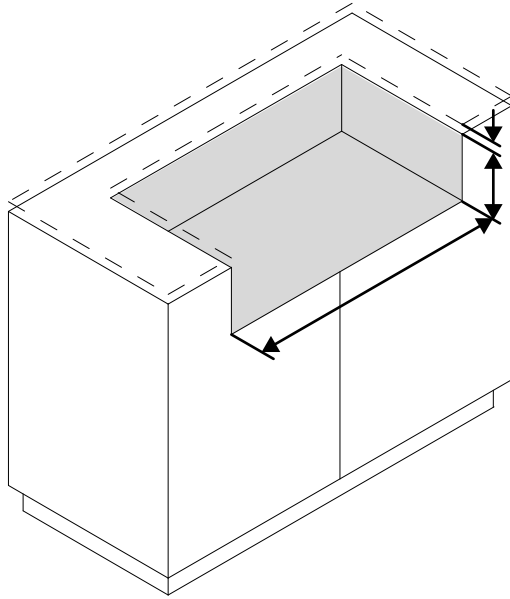


Note: This product must be installed by a **licensed tradesperson**.  
This is a general installation guide - there are many factors that are involved that can alter the installation method.

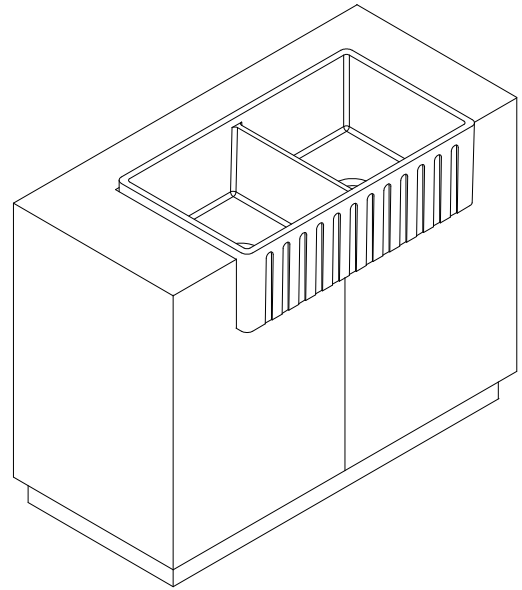
- 1 Note: this basin can only be installed into new cabinetry & benchtops by a **licensed tradesperson**.

The sink must be available to tradespeople for taking measurements at time of manufacture. **ABI** is unable to provide templates due to variations in the material of the product.

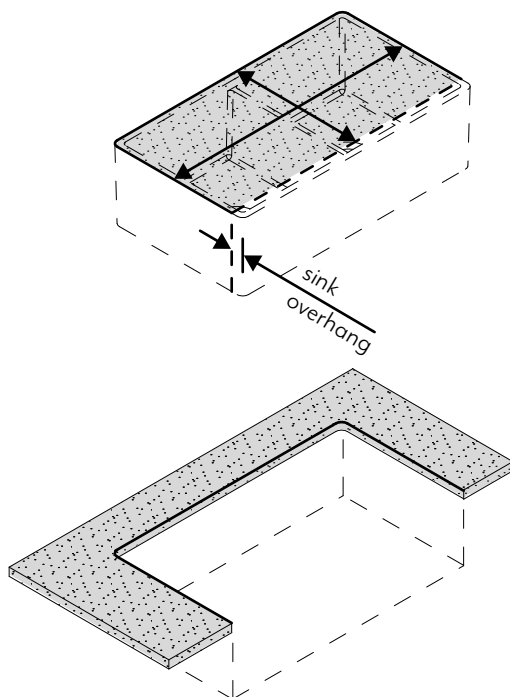
Allow for the cabinetry to be designed so the sink front is sitting proud of cabinetry & for additional depth of the benchtop to marry up with the level of the flushmount sink.



- 2 Mount the sink into the cabinet shelf.



- 3 Cut the benchtop using the external measurements of the sink perimeter in conjunction with the desired sink overhang and cabinetry shelf.



- 4 Install the benchtop & apply adhesive to sink perimeter. Wipe away any excess adhesive sealant.

