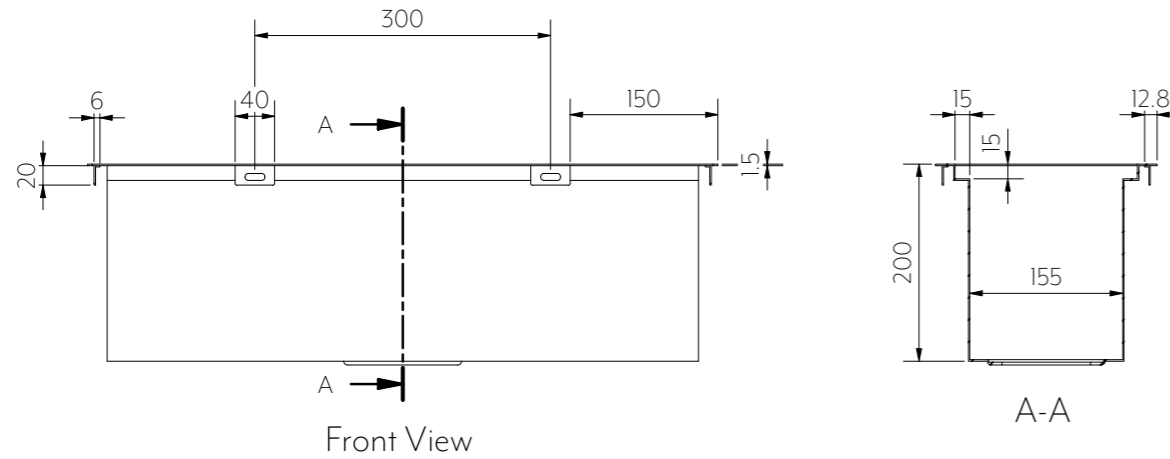


Top View



Front View

A-A

Note: Dimensions are nominal measurements only

SPECIFICATIONS

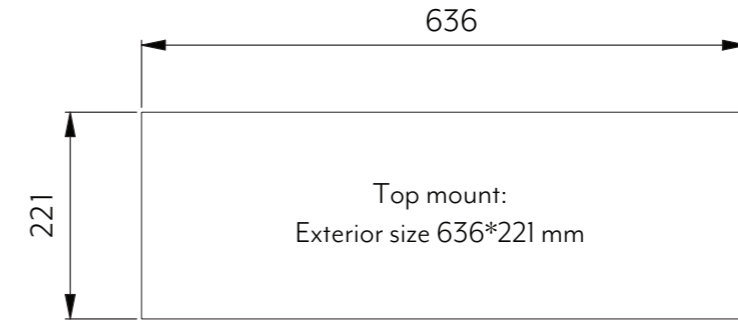
RECOMMENDED USE	Domestic/Commercial
MATERIAL	304 Stainless Steel
INSTALLATION	Undermount, Top Mount
OVERFLOW	No
CAPACITY	18.6L

Disclaimer: Products in this manual must by law be installed by licensed and registered tradespeople in accordance with the relevant standards. ABI and the manufacturer/distributor reserve the right to vary specifications or delete models from their range without prior notification. Dimensions are nominal measurements only. The information listed is correct at the time of publication, however ABI and the manufacturer/distributor takes no responsibility for printing errors. Copyright © ABI Interiors 2021

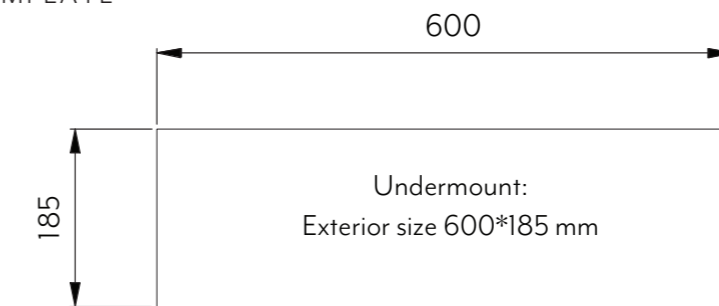
TEMPLATE GUIDE

Note: This product must be installed by a licensed tradesperson. This is a general installation guide - there are many factors that are involved that can alter the installation method. For installs outside Australia and New Zealand the standards in your respective country must be adhered to by your licensed tradesperson.

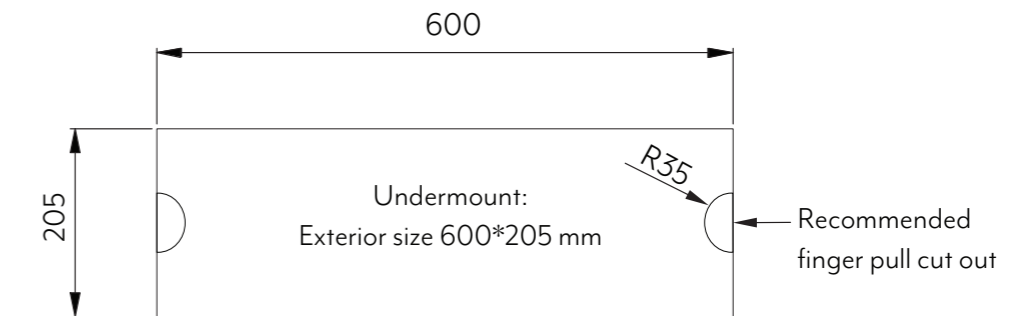
TOP MOUNT TEMPLATE



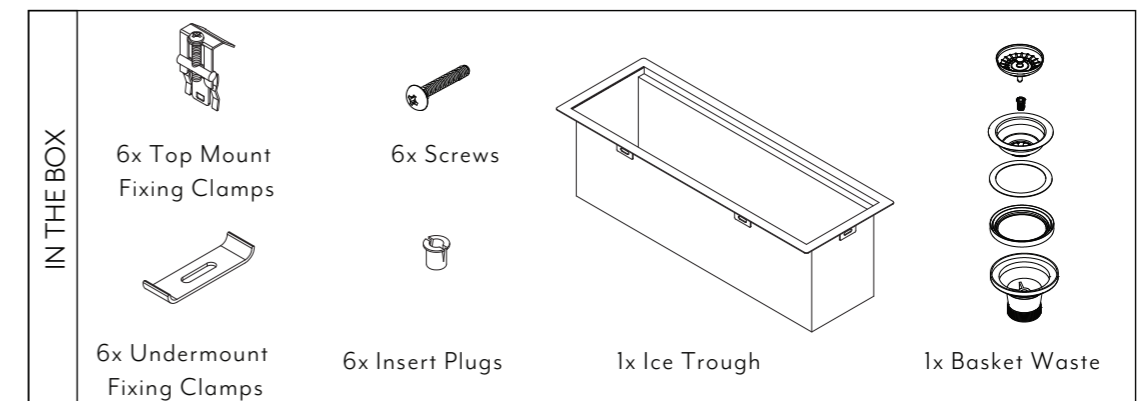
UNDERMOUNT TEMPLATE



UNDERMOUNT INSERT TEMPLATE



Disclaimer: May require alternative cutting method. Please consult with your stone mason prior to purchasing to ensure this cut out preference is suitable for your stone.



Regularly clean with mild liquid detergent or soap and water



DO NOT use cream cleaners or bleach. These substances are abrasive



DO NOT use cleaning pads with abrasive surfaces as this may scratch the material

INSTALLATION GUIDE METHOD 1 - TOP MOUNT

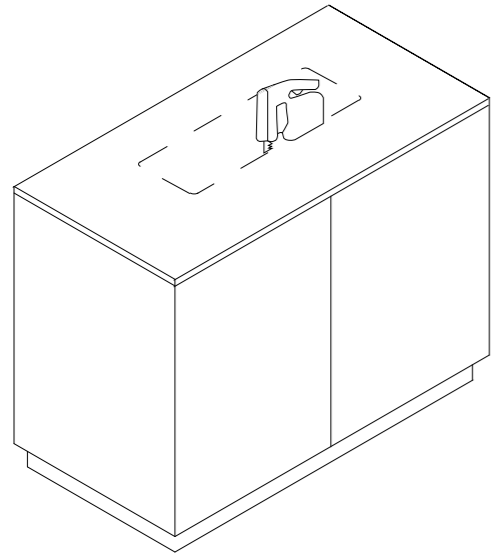
Note: This product must be installed by a licensed tradesperson. This is a general installation guide - there are many factors that are involved that can alter the installation method. For installs outside Australia and New Zealand the standards in your respective country must be adhered to by your licensed tradesperson.



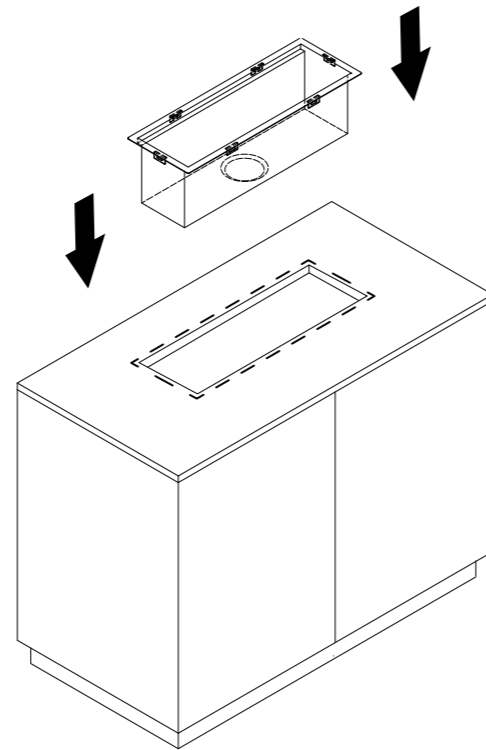
- 1 Mark out desired location of ice trough using the cut out template dimensions provided.

Cut out ice trough hole using preferred method.

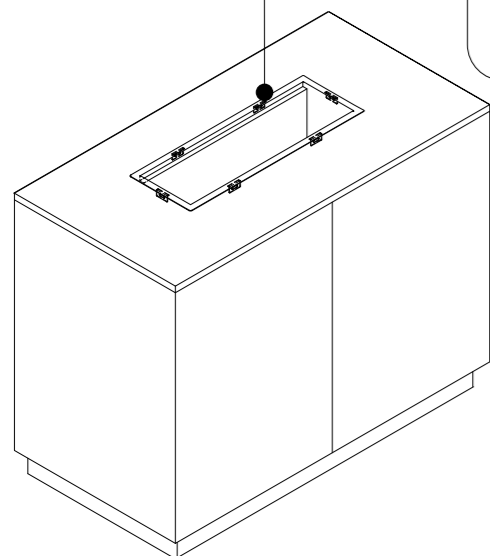
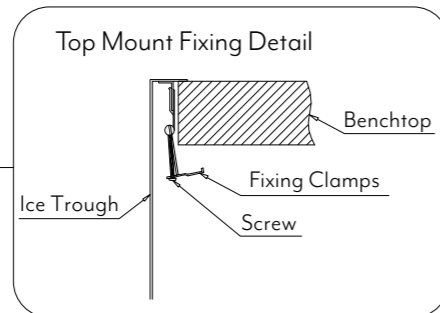
Note: If cutting a stone benchtop it will need to be cut in a controlled environment by a licensed tradesperson as per OH&S regulations.



- 2 Clean around edge of benchtop recess & perimeter of ice trough rim. Apply silicone to perimeter of benchtop hole. Lower ice trough into recess.



- 3 Apply fixing clamps to ice trough & screw to underside of benchtop.



INSTALLATION GUIDE METHOD 2 - UNDERMOUNT

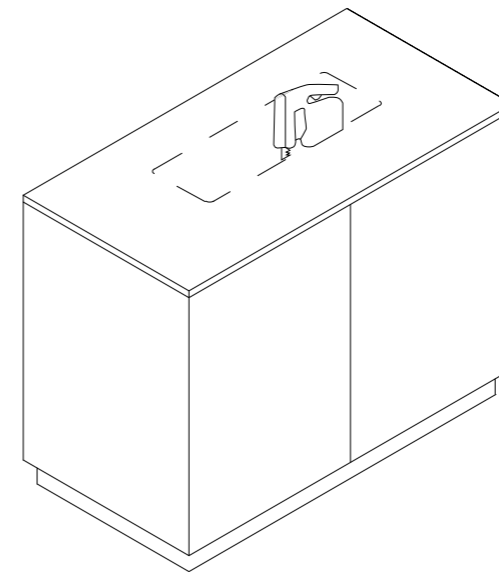
Note: This product must be installed by a licensed tradesperson. This is a general installation guide - there are many factors that are involved that can alter the installation method. For installs outside Australia and New Zealand the standards in your respective country must be adhered to by your licensed tradesperson.



- 1 Mark out desired location of ice trough using the cut out template dimensions provided.

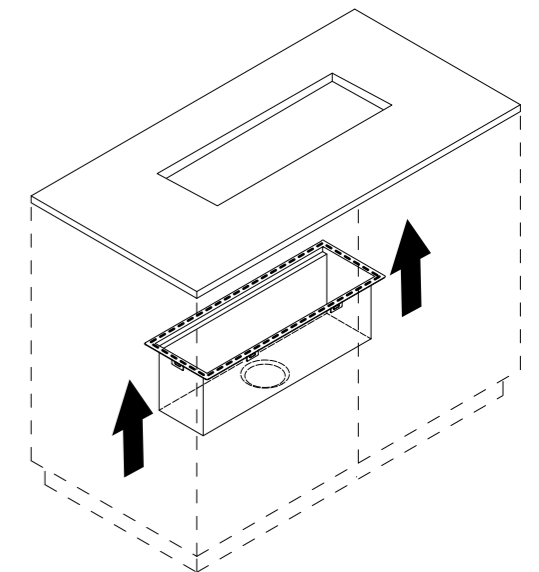
Cut out ice trough hole using preferred method.

Note: If cutting a stone benchtop it will need to be cut in a controlled environment by a licensed tradesperson as per OH&S regulations.



- 2 Clean around the edge of benchtop trough hole & perimeter of sink rim.

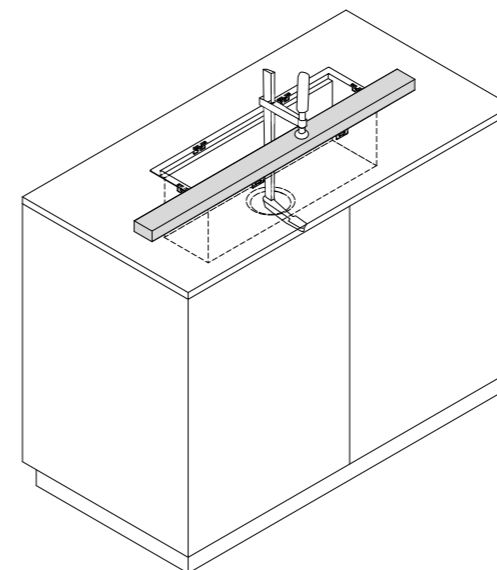
Apply silicone to top perimeter of ice trough rim, align with recess and raise into position.



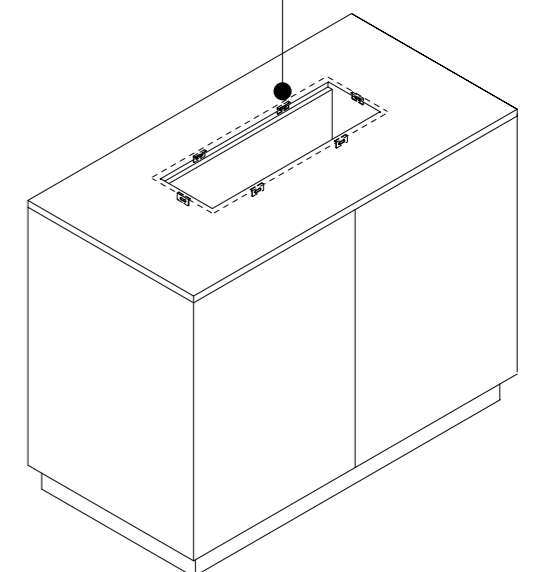
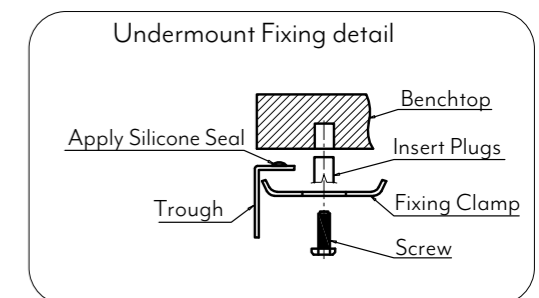
- 3 Lay a piece of timber across the benchtop hole & position in line with trough hole below.

Place clamp through the trough hole & tighten the clamp to hold the trough in place. Wipe away any excess adhesive around benchtop opening.

Note: Use rags to protect surfaces when either the clamp or timber is making contact with the benchtop or trough.



- 4 Apply fixings to underside of trough.



INSTALLATION GUIDE METHOD 3 - UNDERMOUNT WITH BENCH TOP INSERT PIECE

Note: This product must be installed by a licensed tradesperson. This is a general installation guide - there are many factors that are involved that can alter the installation method. For installs outside Australia and New Zealand the standards in your respective country must be adhered to by your licensed tradesperson.



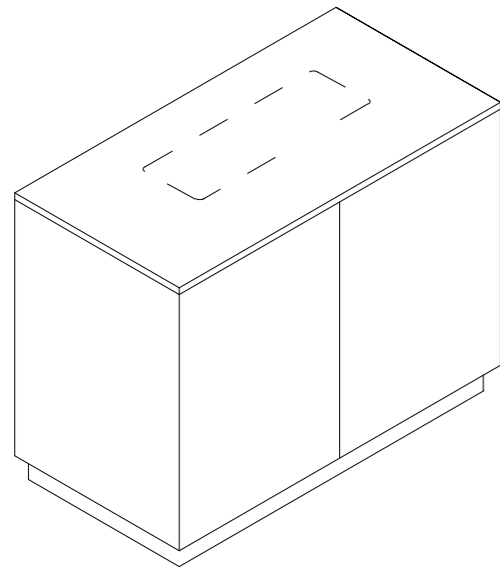
BASKET WASTE

1 Mark out desired location of ice trough using the cut out template dimensions provided.

Cut out ice trough hole using preferred method.

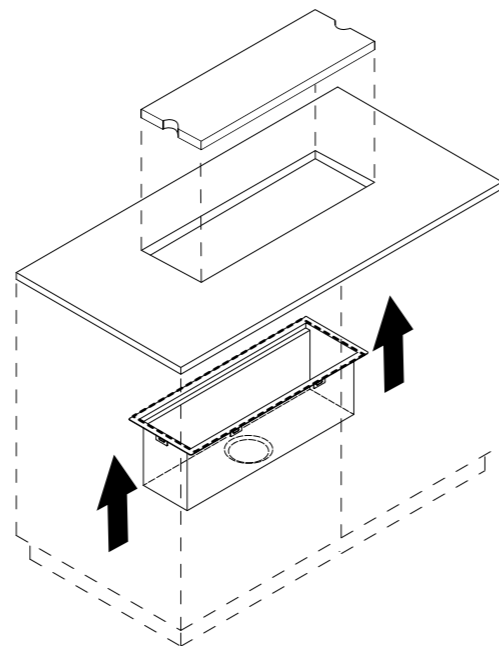
Note: If cutting a stone benchtop it will need to be cut in a controlled environment by a licensed tradesperson as per OH&S regulations.

Disclaimer: Benchtop insert may require alternative cutting method. Please consult with your stonemason prior to purchasing to ensure this cut out preference is suitable for your stone.



2 Clean around the edge of benchtop trough hole & perimeter of sink rim.

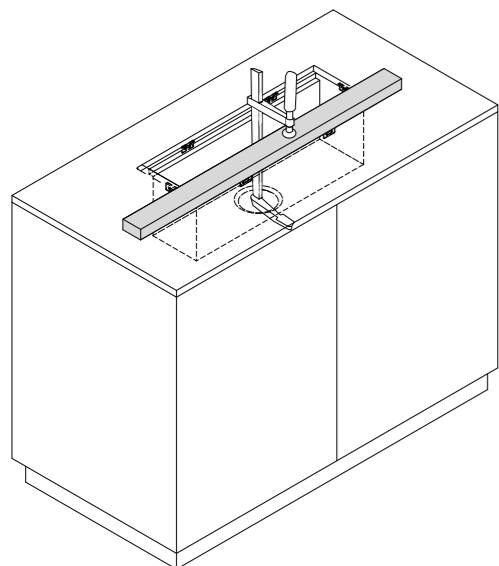
Apply silicone to top perimeter of ice trough rim, align with recess and raise into position.



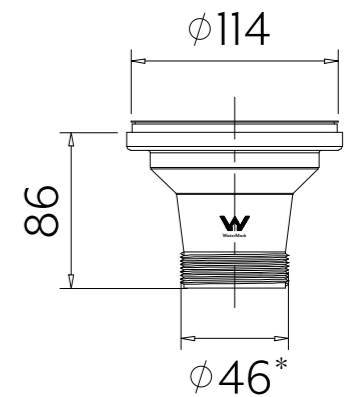
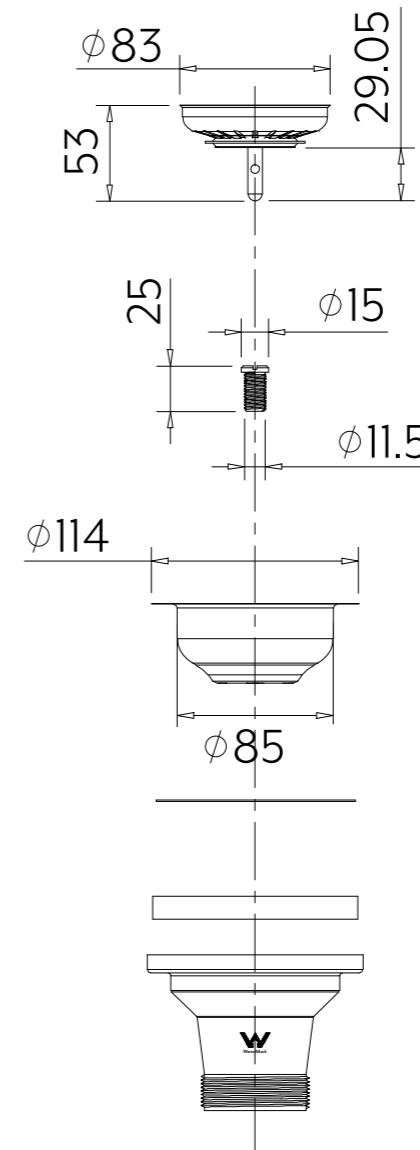
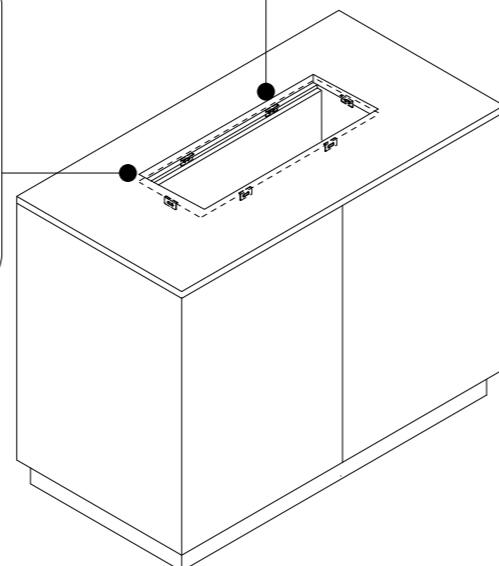
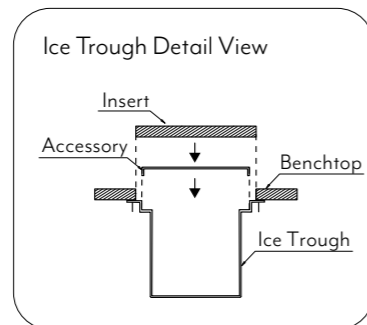
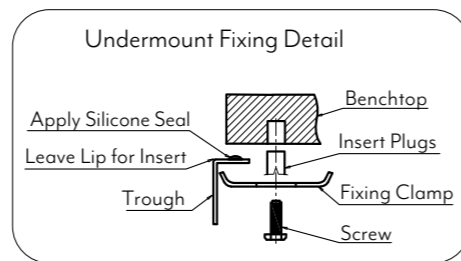
3 Lay a piece of timber across the benchtop hole & position in line with trough hole below.

Place clamp through the trough hole & tighten the clamp to hold the trough in place. Wipe away any excess adhesive around benchtop opening.

Note: Use rags to protect surfaces when either the clamp or timber is making contact with the benchtop or trough.



4 Apply fixings to underside of trough.



*Suits 40mm trap

Note: Dimensions are nominal measurements only

SPECIFICATIONS

RECOMMENDED USE

Domestic

MATERIAL

Stainless Steel

OVERFLOW

No

INSTALLATION

Suits 40mm Trap

Disclaimer: Products in this specification manual must by regulation be installed by licensed and registered trade people. The manufacturer/distributor reserves the right to vary specifications or delete models from their range without prior notification. Dimensions are nominal measurements only. Dimensions and set-outs listed are correct at time of publication however the manufacturer/distributor takes no responsibility for printing errors. All ABI Products are designed in Australia. Copyright ABI Interiors Pty Ltd 2021.