

Note: Dimensions are nominal measurements only

SPECIFICATIONS

RECOMMENDED USE

Domestic

MATERIAL

Solid Brass

OUTLET SIZE

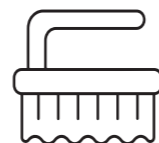
Suitable for 100mm Diameter pipe



Regularly clean with mild liquid detergent or soap and water



DO NOT use cream cleaners or bleach. These substances are abrasive



DO NOT use cleaning pads with abrasive surfaces as this may scratch the material

Disclaimer: Products in this specification manual must by regulation be installed by licensed and registered trade people. The manufacturer/distributor reserves the right to vary specifications or delete models from their range without prior notification. Dimensions are nominal measurements only. Dimensions and set-outs listed are correct at time of publication however the manufacturer/distributor takes no responsibility for printing errors. All ABI Products are designed in Australia. Copyright ABI Interiors Pty Ltd 2021.

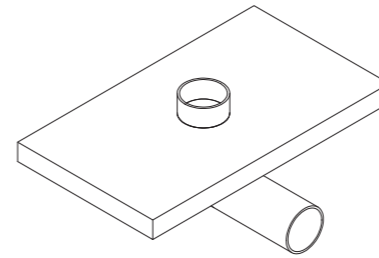
INSTALLATION GUIDE

This product must be installed by a licensed plumber.

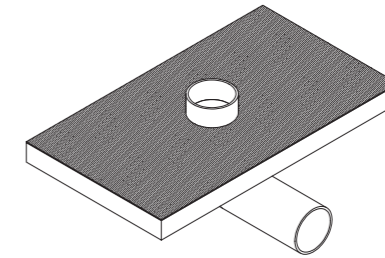
This is a general installation guide - there are many factors that are involved that can alter the installation method.

This product install must comply with AS/NZS 3500.

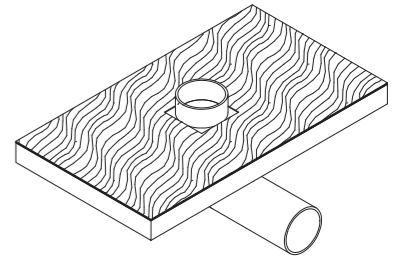
- 1 Waste pipe protrudes from base floor material.



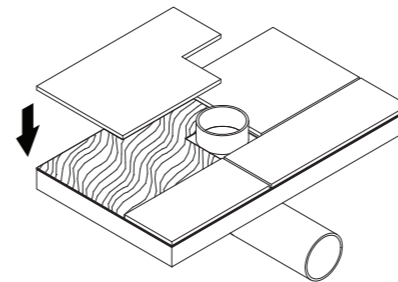
- 2 Waterproofing layer is applied right up to pipe.



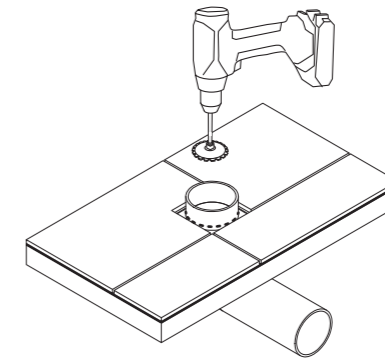
- 3 Glue layer is applied for the tiles.



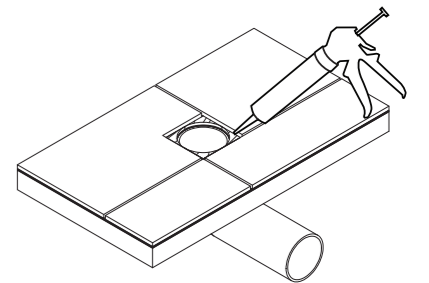
- 4 Tiles are laid onto glue. Leaving a 110x110mm square around pipe.



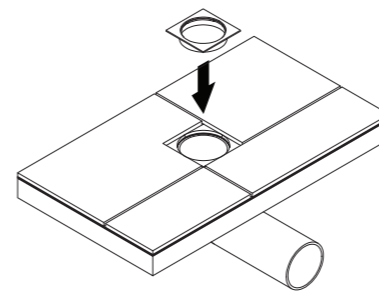
- 5 Cut PVC pipe 3mm below tile finish face.



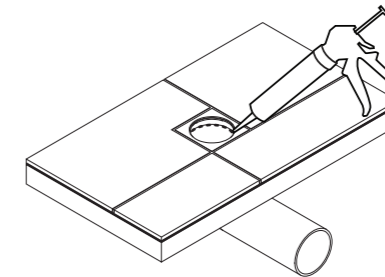
- 6 Apply silicone/glue to recessed space.



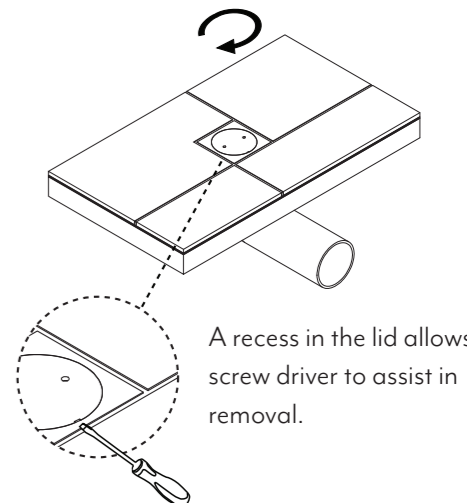
- 7 Press Inspection outlet into recess, ensuring it is level with tile finish face.



- 8 Add a line of silicone, to inner edge between PVC and outlet base. Apply grout to tiles.



- 9 Use indentations to turn lid 90 degrees clockwise to locked position.



A recess in the lid allows a screw driver to assist in removal.



Regularly clean with mild liquid detergent or soap and water



DO NOT use cream cleaners or bleach. These substances are abrasive



DO NOT use cleaning pads with abrasive surfaces as this may scratch the material