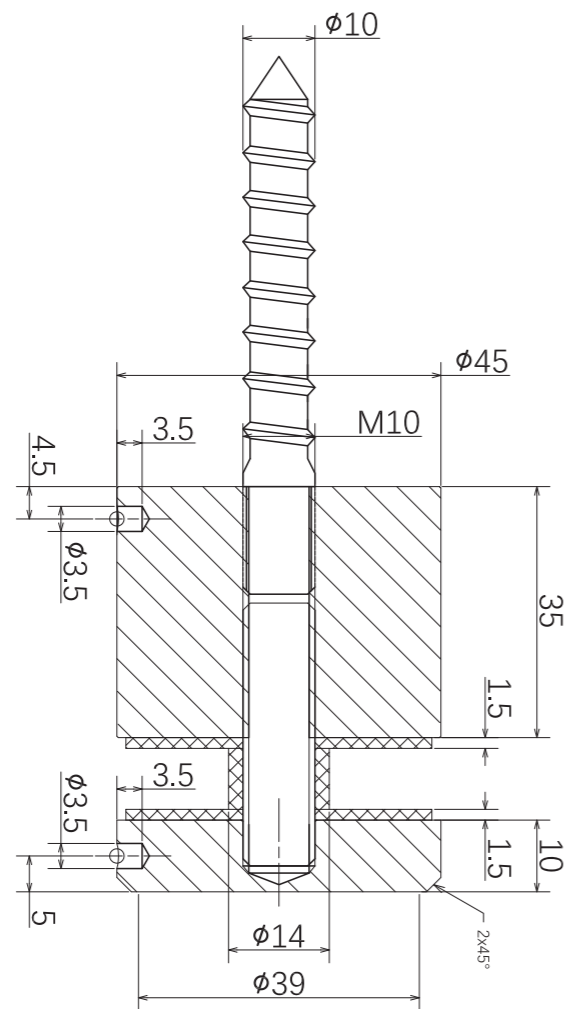


KENLEY GLASS STAND-OFF



Note: Dimensions are nominal measurements only

SPECIFICATIONS

RECOMMENDED USE

Domestic / Commercial

MATERIAL

304 Stainless Steel

GLASS THICKNESS

12mm thickness (note: hole required)

INSTALLATION

14mm Hole (Timber / Concrete / Blockwork)

WEIGHT CAPACITY

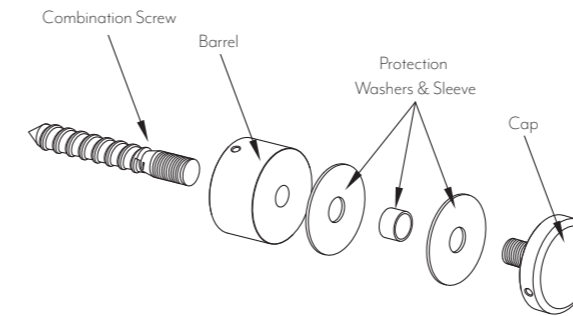
7KG

Disclaimer: Products in this specification manual must by regulation be installed by licensed and registered trade people. The manufacturer/distributor reserves the right to vary specifications or delete models from their range without prior notification. Dimensions are nominal measurements only. Dimensions and set-outs listed are correct at time of publication however the manufacturer/distributor takes no responsibility for printing errors. All ABI Products are designed in Australia. Copyright ABI Interiors Pty Ltd 2021.

INSTALLATION GUIDE

Note: This product must be installed by a licensed trade
This is a general installation guide - there are many factors that are involved that can alter the installation method.

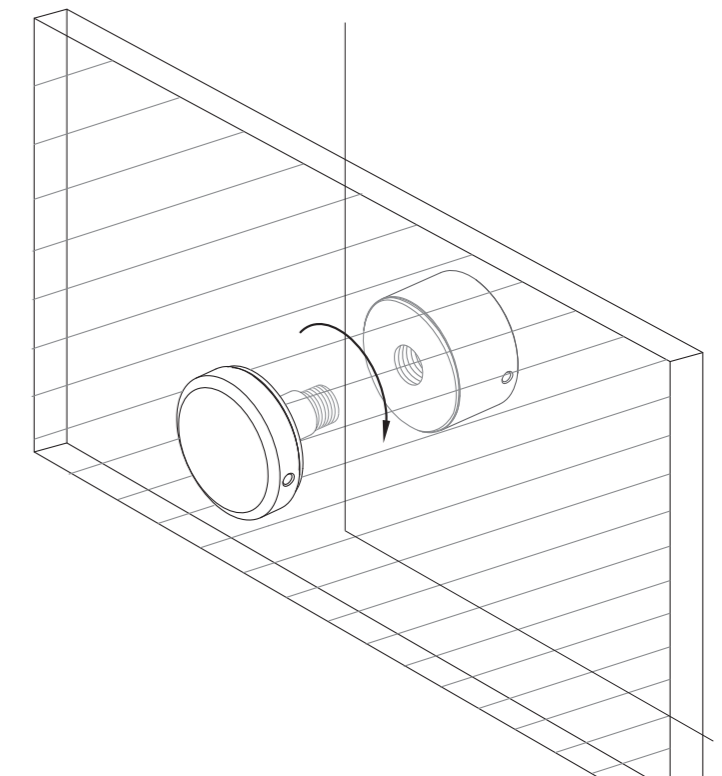
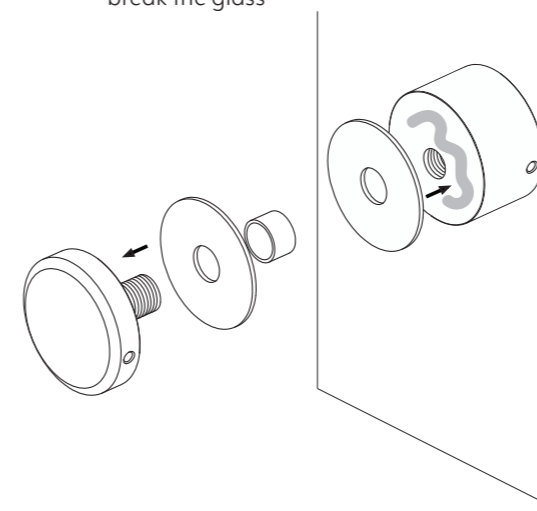
- 1 Disassemble stand-off by removing cap, plastic washers and unscrewing the large combination screw from the barrel



- 2 Measure and mark out desired position for stand-offs. Pre drill holes into surface and apply plugs if mounting to blockwork or concrete.
Note: Glass requires pre drilled holes to install

- 3 Screw the combination screw in. Twist the barrel onto the combination screw and use stand-off tool to tighten. Be sure not to put too much pressure as this could scratch the finished surface

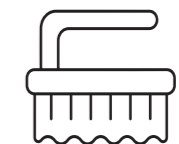
- 4 Use a temporary adhesive to stick one plastic washer to the barrel. Hold glass in place using special grips and screw the cap (with plastic washer and screw sleeve) through the glass and into the barrel. Tighten using stand-off tool to clamp glass.
Do not over tighten as this could potentially break the glass



Clean with mild liquid detergent or soap and water



DO NOT use cream cleaners or bleach. These substances are abrasive



DO NOT use cleaning pads with abrasive surfaces as this may scratch the material