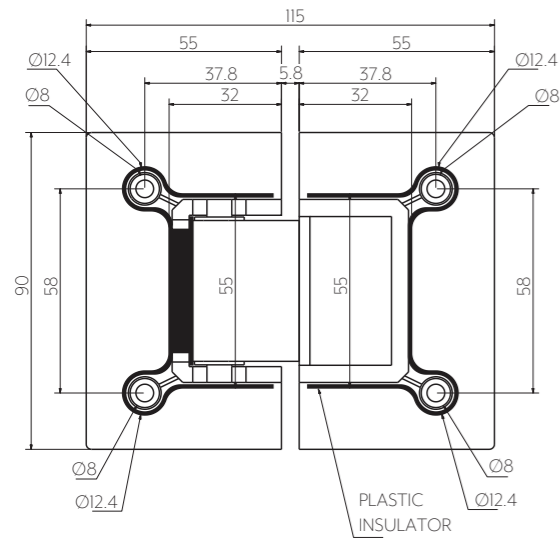
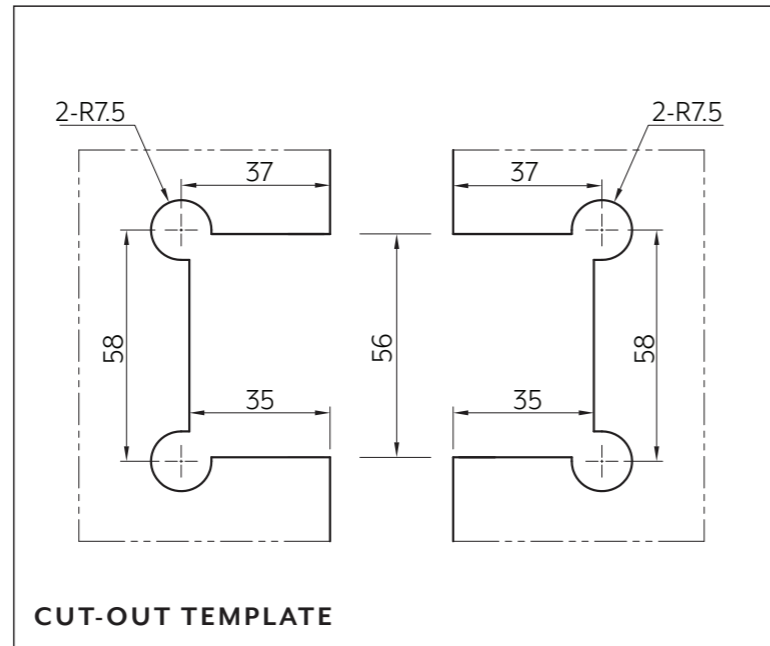


TOP VIEW



SIDE INTERNAL VIEW



CUT-OUT TEMPLATE

Note: Dimensions are nominal measurements only

SPECIFICATIONS

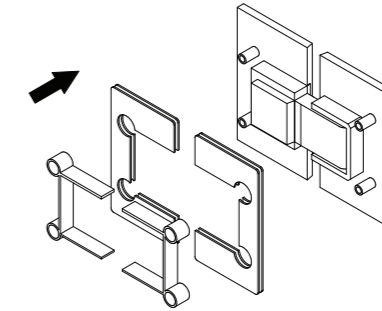
RECOMMENDED USE	Domestic
MATERIAL	Stainless Steel 304
INSTALLATION	Glass to Glass
GLASS THICKNESS	10-12mm
WEIGHT CAPACITY	30kg per hinge Max door width for 10mm glass is 700mm
FUNCTION	Dual Function – Swivel inwards & outwards

Disclaimer: Products in this specification manual must by regulation be installed by licensed and registered trade people. The manufacturer/distributor reserves the right to vary specifications or delete models from their range without prior notification. Dimensions are nominal measurements only. Dimensions and set-outs listed are correct at time of publication however the manufacturer/distributor takes no responsibility for printing errors. All ABI Products are designed in Australia. Copyright ABI Interiors Pty Ltd 2021.

INSTALLATION GUIDE

Note: This product must be installed by a licensed tradesperson. This is a general installation guide - there are many factors that are involved that can alter the installation method. This product install must comply with the relevant Australian Standards

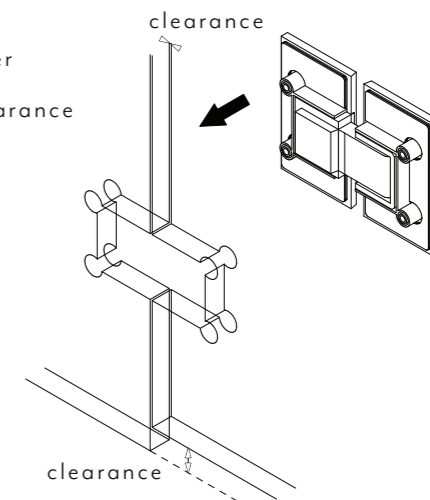
① Fit plastic shield & packers to hinge.



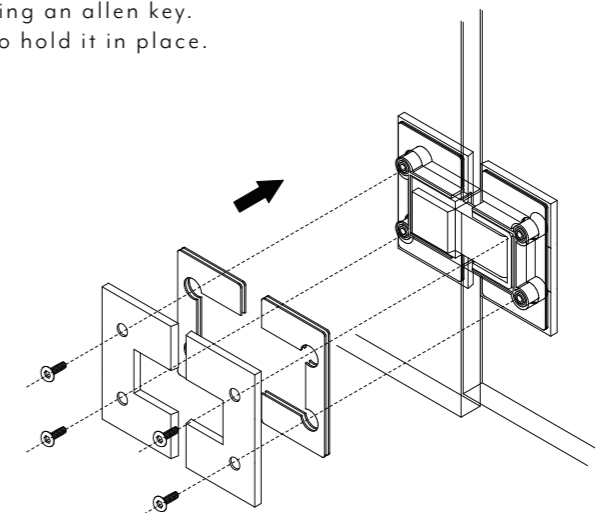
② Install glass. Allow clearance under door for shower door drip rail. Clearance height as per shower door drip rail supplier spec. The glass door must also have a nominal clearance gap between it & the fixed glass panel.

Can be used on glass up to 12mm thick, an additional plastic packer has been provided for panels less than 12mm.

Attach hinge into glass cut out position.



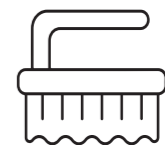
③ Fit hinge plate and packers with fixings provided. Tighten up grub screws using an allen key. This will clamp the glass to hold it in place.



Clean with mild liquid detergent or soap and water



DO NOT use cream cleaners or bleach. These substances are abrasive



DO NOT use cleaning pads with abrasive surfaces as this may scratch the material