

Note: Dimensions are nominal measurements only

SPECIFICATIONS

RECOMMENDED USE	Domestic
CONSTRUCTION	Stainless Steel
INSTALLATION	Glass to Wall
GLASS THICKNESS	10-12mm
WEIGHT CAPACITY	30kg
FUNCTION	Dual Function – Swivel inwards & outwards

Disclaimer: Products in this specification manual must by regulation be installed by licensed and registered trade people. The manufacturer/distributor reserves the right to vary specifications or delete models from their range without prior notification. Dimensions are nominal measurements only. Dimensions and set-outs listed are correct at time of publication however the manufacturer/distributor takes no responsibility for printing errors. All ABI Products are designed in Australia. Copyright ABI Interiors Pty Ltd 2021.

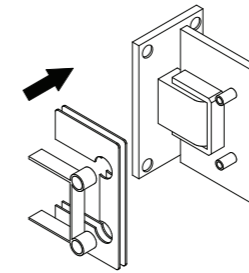
INSTALLATION GUIDE

Note: This product must be installed by a licensed tradesperson.

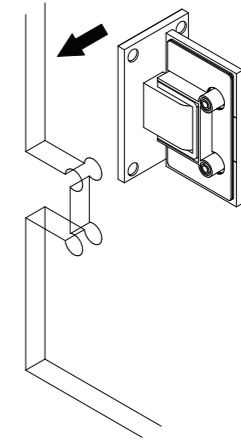
This is a general installation guide - there are many factors that are involved that can alter the installation method.

This product install must comply with the standards in your respective country and must be adhered to by your licensed tradesperson.

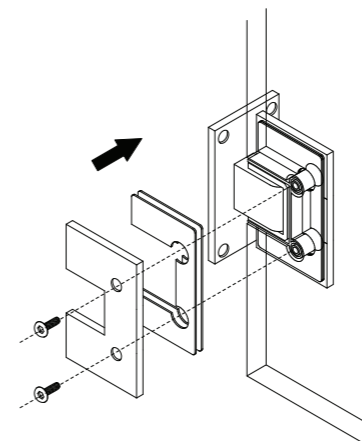
① Fit plastic shield & packers to hinge.



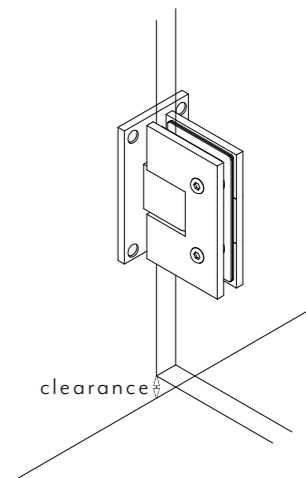
② Install glass. Can be used on glass up to 12mm thick, an additional plastic packer has been provided for panels less than 12mm.



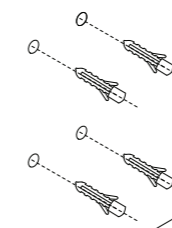
③ Fit hinge plate and spacers with fixings provided. Tighten up grub screws using an allen key. This will clamp the glass to hold it in place.



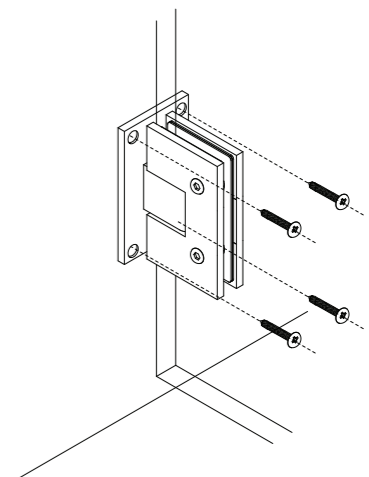
④ Mark out desired position for hinge in relation to shower screen location. Allow clearance under door for shower door drip rail. Clearance height as per shower door drip rail supplier spec.



⑤ Drill holes in desired position and insert wall plugs



⑥ Fix hinge & glass to wall using fixings provided.



Regularly clean with mild liquid detergent or soap and water.



DO NOT use cream cleaners or bleach. These substances are abrasive.



DO NOT use cleaning pads with abrasive surfaces as this may scratch the material.