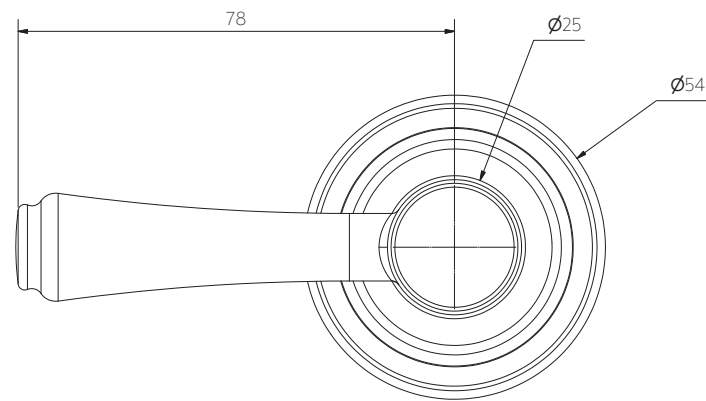


Top View



Front View

**Note:** In wall not included in handle kit

**Note:** Dimensions are nominal measurements only

## SPECIFICATIONS

### RECOMMENDED USE

Domestic

### CONSTRUCTION

Solid Brass

Disclaimer: Products in this manual must by law be installed by licensed and registered tradespeople in accordance with the relevant standards. ABI and the manufacturer/distributor reserve the right to vary specifications or delete models from their range without prior notification. Dimensions are nominal measurements only. The information listed is correct at the time of publication, however ABI and the manufacturer/distributor takes no responsibility for printing errors. Copyright © ABI Interiors 2021.

## INSTALLATION GUIDE

**Note:** This product must be installed by a licensed plumber.

This is a general installation guide - there are many factors that are involved that can alter the installation method. **Note:** In wall not included in handle kit.

**New Build** - Install breach in desired position (please refer to additional install information regarding breach set backs).

**Retro fitting Existing** - Remove existing tapware & reseal body seats until shiny and smooth.

- Remove locking nut from spindle. Screw spindle into breach and hand tighten until rear of spindle meets the body seat, be sure not to overtighten. If necessary apply more pressure lightly with spanner.
- Fit the fibre washer over the spindle. Screw on the locking nut and tighten with spanner. **TEST AND CHECK FOR LEAKS.**
- This product may require a bonnet extender (purchase at local hardware store) that may be required to cover the additional breach depth. Please refer to the following page for breach set back guide. If required, screw bonnet extender on to locking nut.

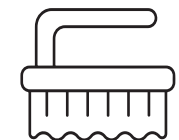
**Note:** Bonnet extender not included with assembly taps. Available at local hardware store.
- Install the back plate onto the locking nut (or bonnet extender if required), twisting by hand until tightened.
- A 10mm brass spacer is provided to achieve optimum handle spacing from the back plate. Insert spacer into rear side of handle and install handle onto spindle, fixing with a screw and washer.
- Insert handle cap into front of handle.



Regularly clean with mild liquid detergent or soap and water



DO NOT use cream cleaners or bleach. These substances are abrasive



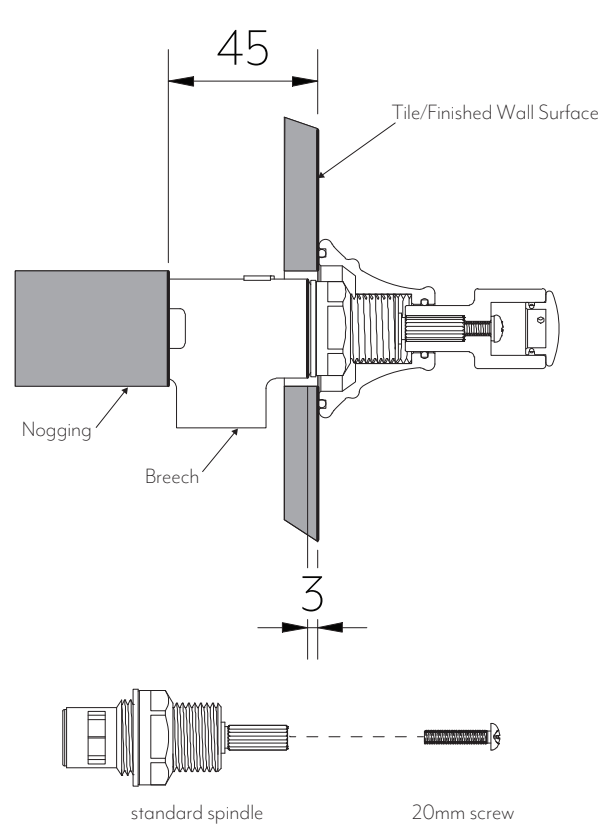
DO NOT use cleaning pads with abrasive surfaces as this may scratch the material

## SET BACK GUIDE

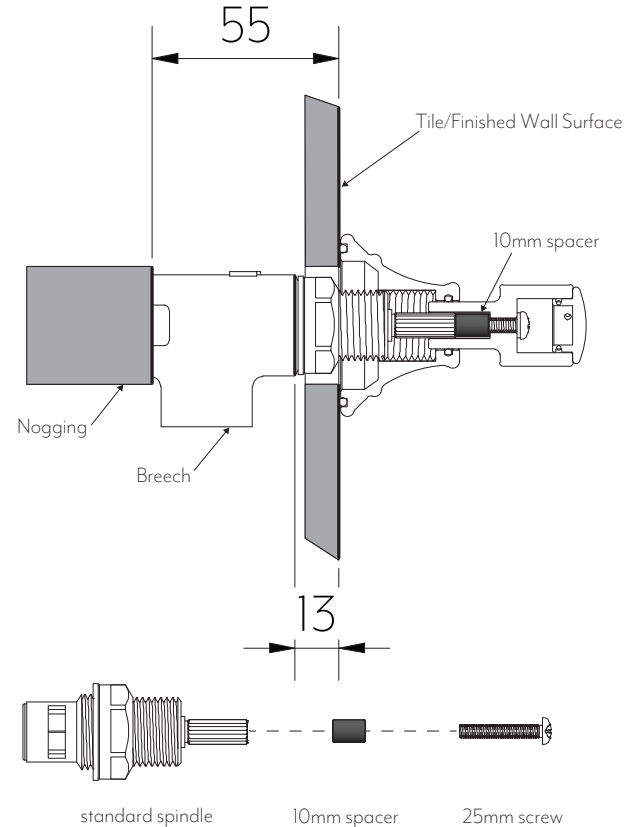
Note: This product must be installed by a licensed plumber.

The set back of the wall breach and distance of the nogging to tile or finished wall surface will dictate the necessary extension parts that will be required install.

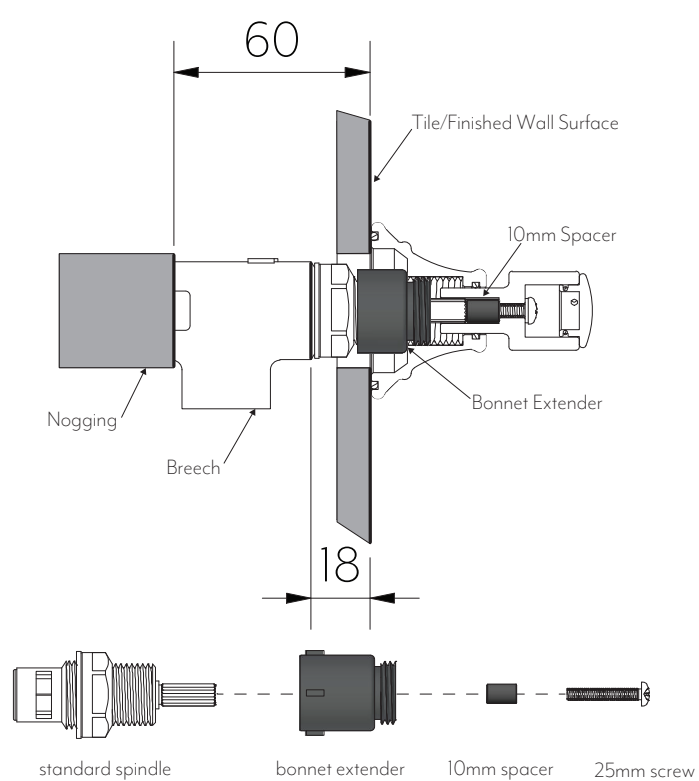
# ABI



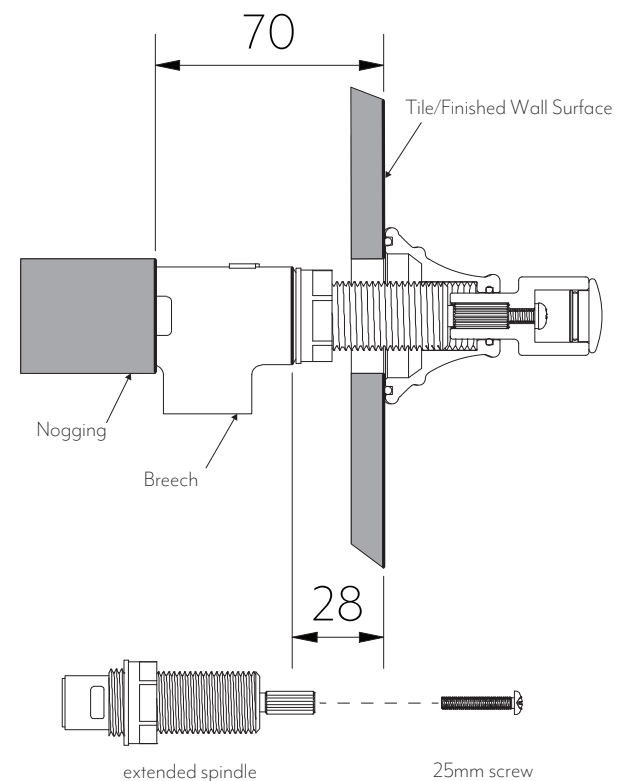
Minimum distance between nogging and finished wall surface is 45mm (or 3mm from in-wall breach to finished wall surface). To achieve this connection the standard spindle and 20mm screw is required.



To maintain optimum spacing between handle and back plate a 10mm spacer and 25mm screw are recommended for a distance of 45mm to 55mm from nogging to finished wall surface, (or 13mm from breach to finished wall surface).



For installations when distance between nogging and finished wall surface is between 55mm and 65mm an additional spindle bonnet extender is required (purchase separately). The bonnet extender can be cut to size to sit flush on the spindle locking nut.



For distances 65mm up to 70mm between nogging and finished wall surface, an extended spindle (available for additional purchase) is required. Note: To achieve distances greater than 70mm additional parts can be used with the extended spindle. (bonnet extender, 10mm brass spacer)

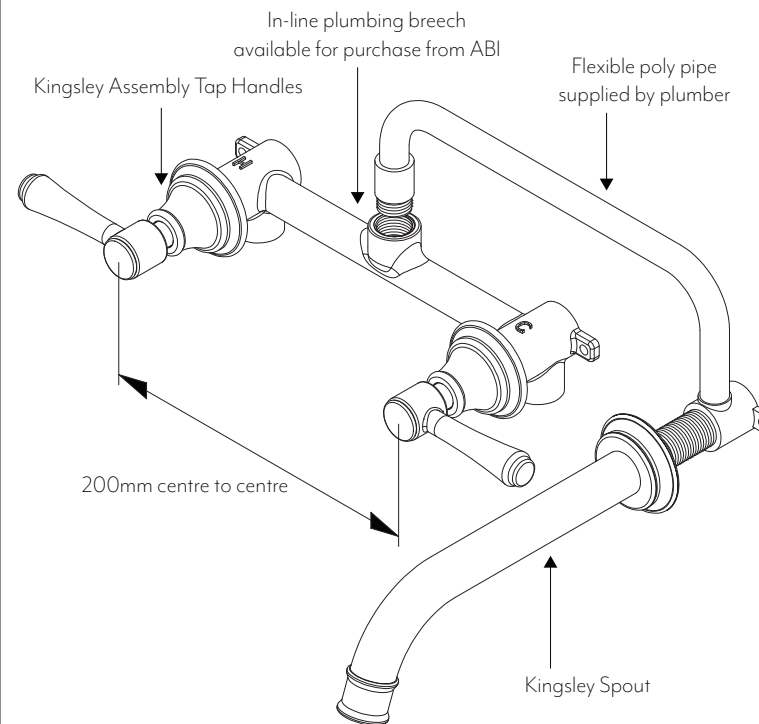
## ASSEMBLY SETUP GUIDE

Note: This product must be installed by a licensed plumber.

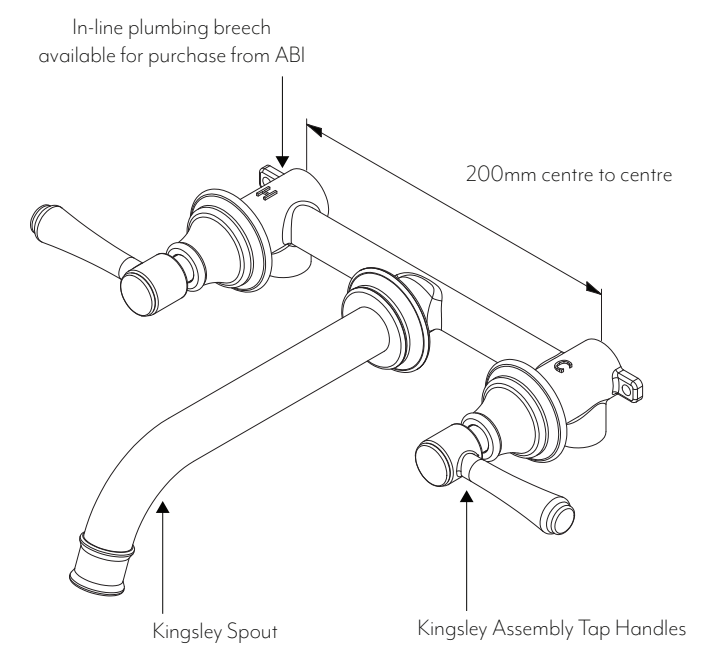
This is a general installation guide - there are many factors that are involved that can alter the installation method.

# ABI

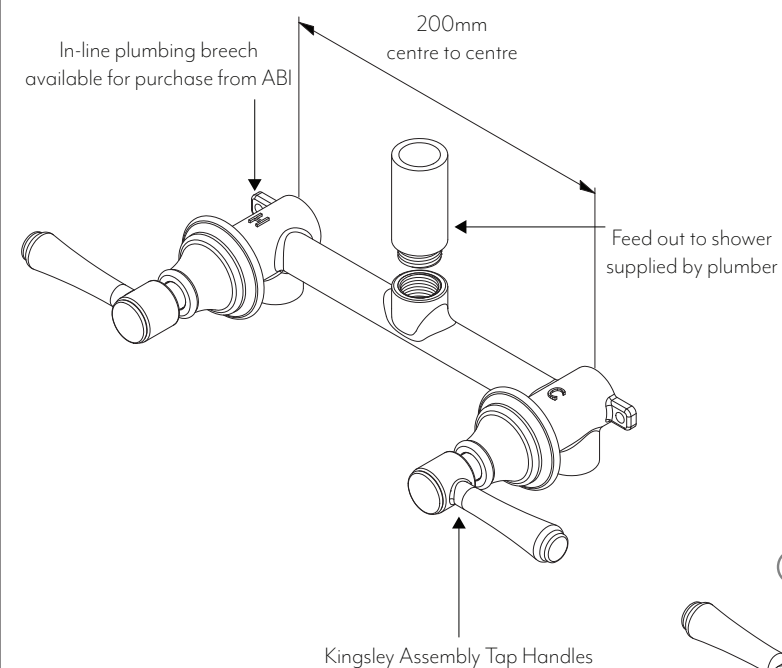
### Example One: Off set basin mixer/bath spout setup



### Example Two: Centred basin mixer/bath spout setup



### Example Three: Shower Setup



### WHATS IN THE BOX

1. Back plate x 2
2. 10mm Brass Spacer x 2
3. Handle Body x 2
4. Washer x 2
5. 20mm screw x 2
6. 'Hot' Handle Cap x 1
7. 'Cold' Handle Cap x 1
8. 25mm screw x 2

