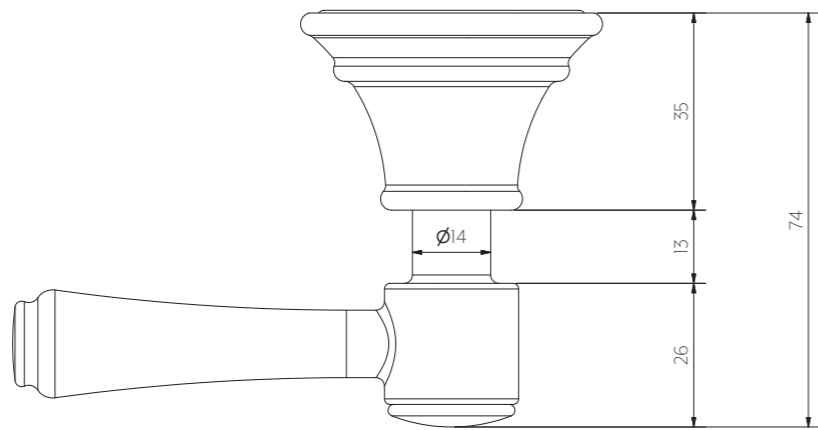
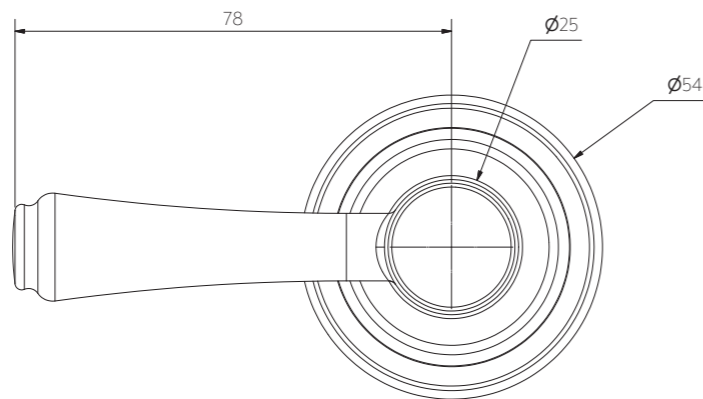


KINGSLEY ASSEMBLY TAPS



Top View



Front View



Note: Dimensions are nominal measurements only

SPECIFICATIONS

RECOMMENDED USE

Domestic

MATERIAL

Solid Brass

PRESSURE RATING

Recommended minimum working pressure 150kPa
Recommended maximum working pressure 500kPa
Hot and cold water inlet pressure should be equal

TEMPERATURE RATING

Maximum continuous working temperature 75°C
If the water temperature exceeds 75°C, an approved tempering valve must be fitted

SUITABLE HOT WATER UNITS

Storage tank: Yes
Continuous Flow: Yes
Gravity Feed: Not suitable

Disclaimer: Products in this specification manual must by regulation be installed by licensed and registered trade people. The manufacturer/distributor reserves the right to vary specifications or delete models from their range without prior notification. Dimensions are nominal measurements only. Dimensions and set-outs listed are correct at time of publication however the manufacturer/distributor takes no responsibility for printing errors. All ABI Products are designed in Australia. Copyright ABI Interiors Pty Ltd 2021.

INSTALLATION GUIDE

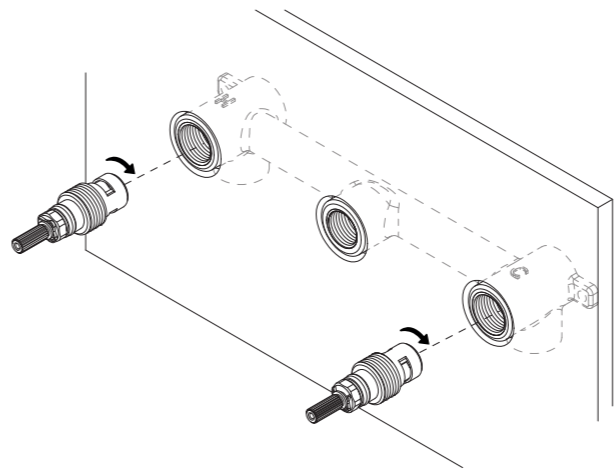
Note: This product must be installed by a licensed plumber.

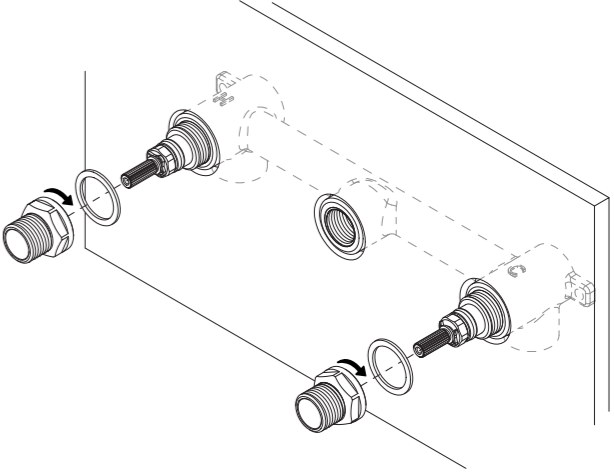
This is a general installation guide - there are many factors that are involved that can alter the installation method. This product install must comply with AS/NZS 3500.

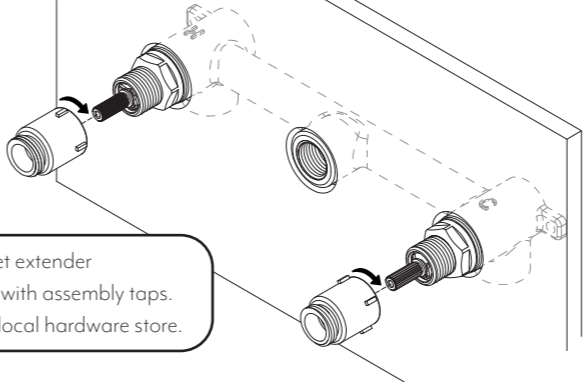
New Build - Install breach in desired position (please refer to additional install information regarding breach set backs).

Retrofitting Existing - Remove existing tapware & reseal body seats until shiny and smooth.

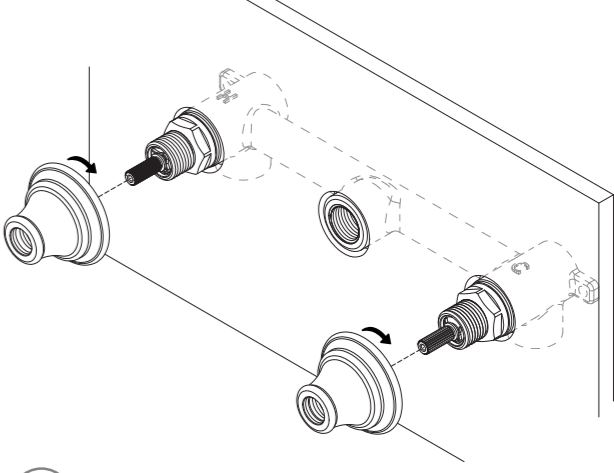
- 1** Remove locking nut from spindle. Screw spindle into breach and hand tighten until rear of spindle meets the body seat, be sure not to overtighten. If necessary apply more pressure lightly with spanner.

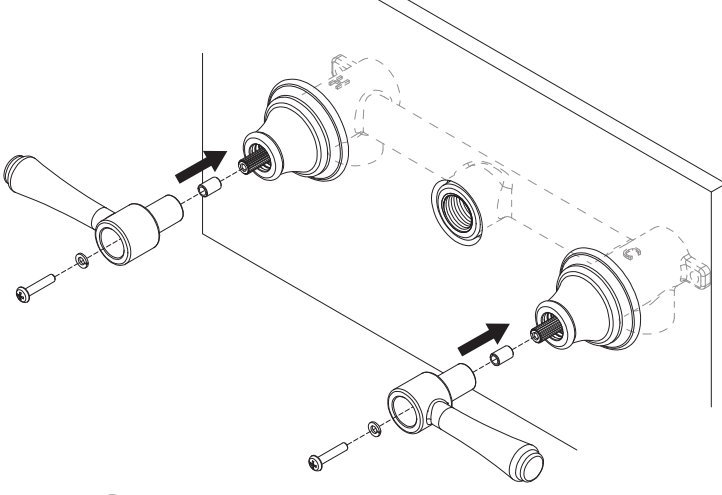

- 2** Fit the fibre washer over the spindle. Screw on the locking nut and tighten with spanner. **TEST AND CHECK FOR LEAKS.**

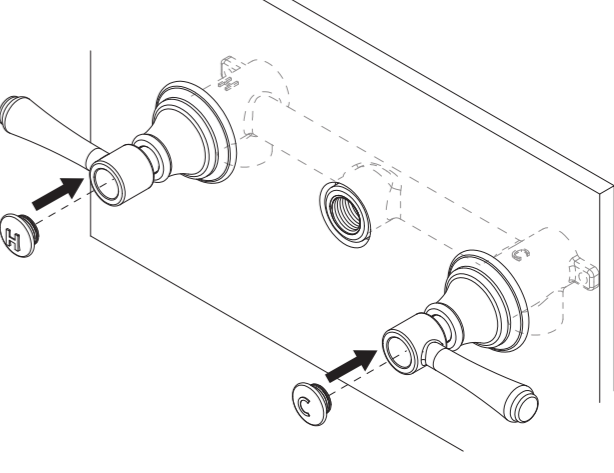

- 3** This product may require a bonnet extender (purchase at local hardware store) that may be required to cover the additional breach depth. Please refer to the following page for breach set back guide. If required, screw bonnet extender on to locking nut.



Note: Bonnet extender not included with assembly taps. Available at local hardware store.
- 4** Install the back plate onto the locking nut (or bonnet extender if required), twisting by hand until tightened.


- 5** A 10mm brass spacer is provided to achieve optimum handle spacing from the back plate. Insert spacer into rear side of handle and install handle onto spindle, fixing with a screw and washer.


- 6** Insert handle cap into front of handle.

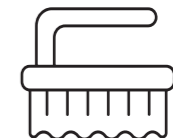




Regularly clean with mild liquid detergent or soap and water



DO NOT use cream cleaners or bleach. These substances are abrasive



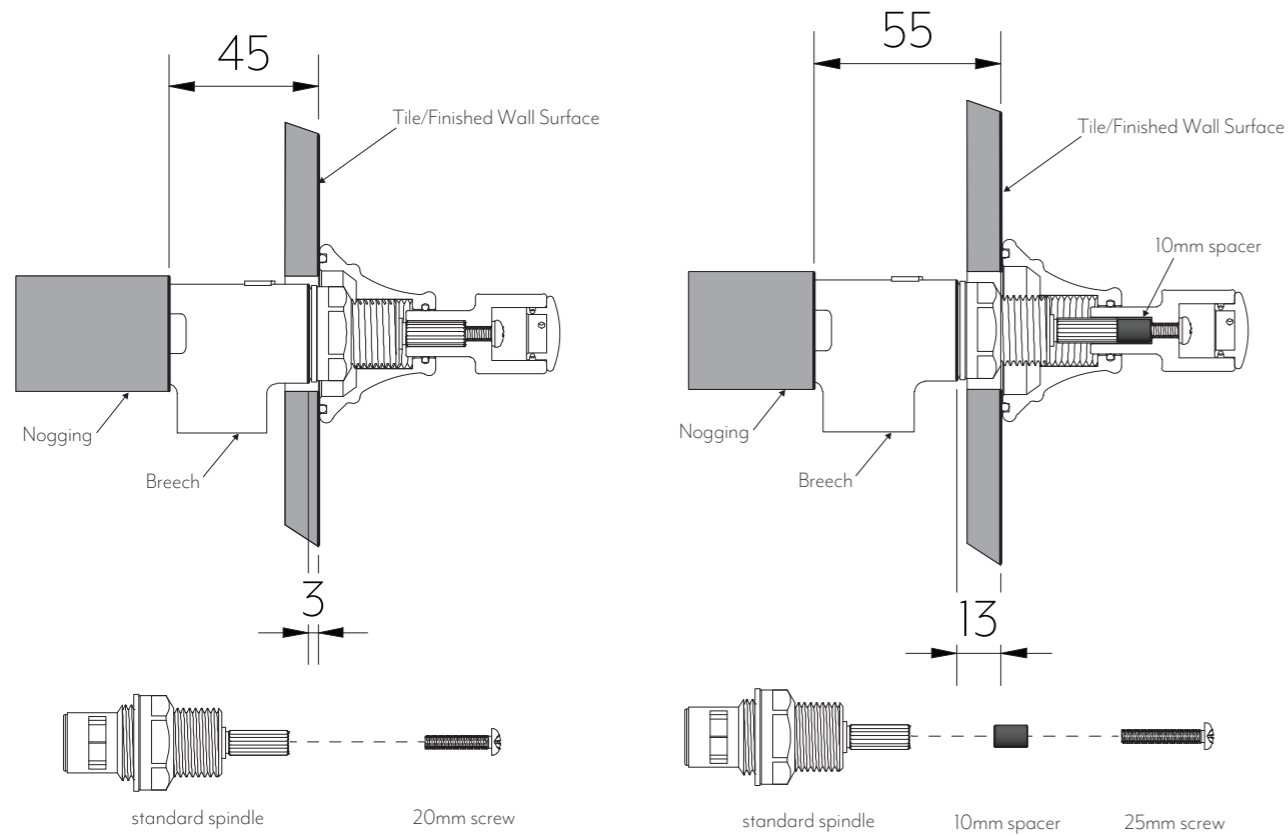
DO NOT use cleaning pads with abrasive surfaces as this may scratch the material

SET BACK GUIDE

Note: This product must be installed by a licensed plumber.

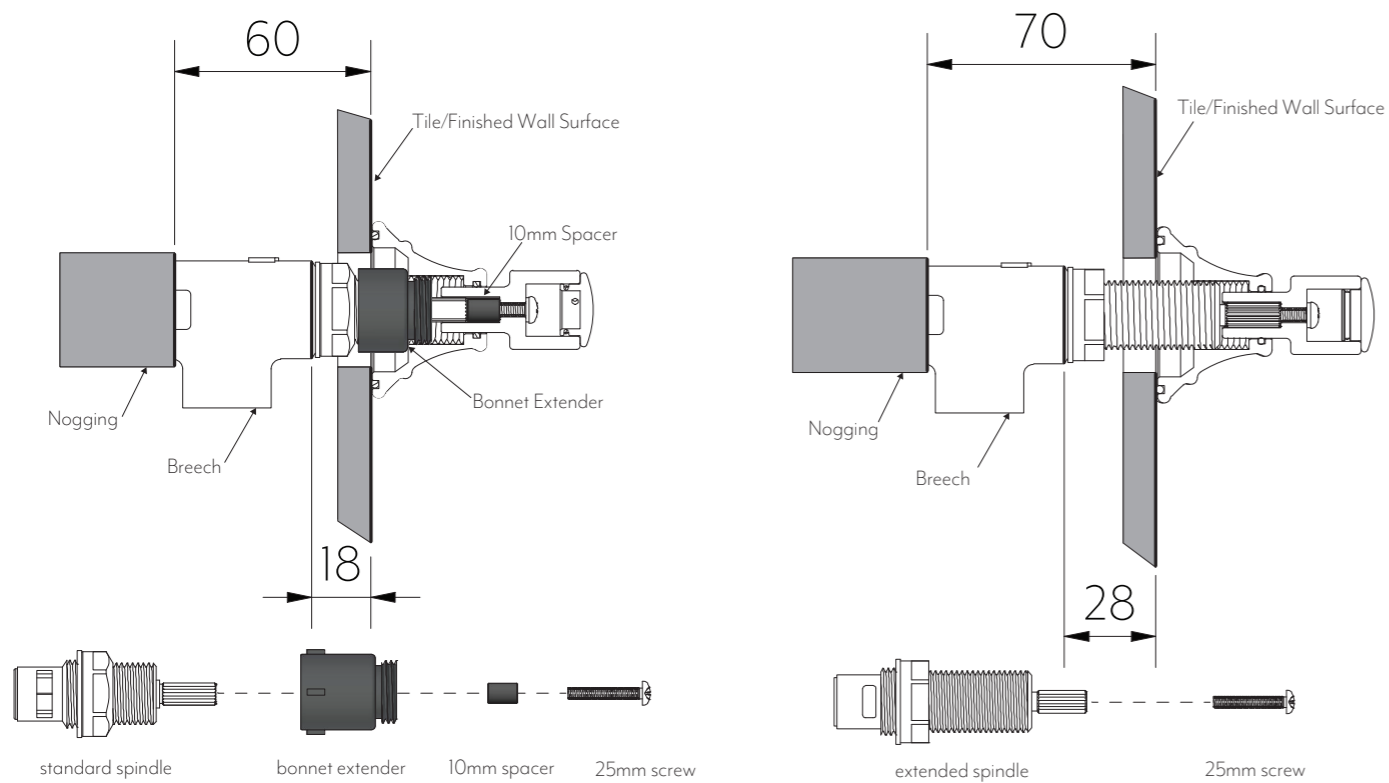
The set back of the wall breach and distance of the nogging to tile or finished wall surface will dictate the necessary extension parts that will be required install.

ABI



Minimum distance between nogging and finished wall surface is 45mm (or 3mm from in-wall breach to finished wall surface). To achieve this connection the standard spindle and 20mm screw is required.

To maintain optimum spacing between handle and back plate a 10mm spacer and 25mm screw are recommended for a distance of 45mm to 55mm from nogging to finished wall surface, (or 13mm from breach to finished wall surface).



For installations when distance between nogging and finished wall surface is between 55mm and 65mm an additional spindle bonnet extender is required (purchase separately). The bonnet extender can be cut to size to sit flush on the spindle locking nut.

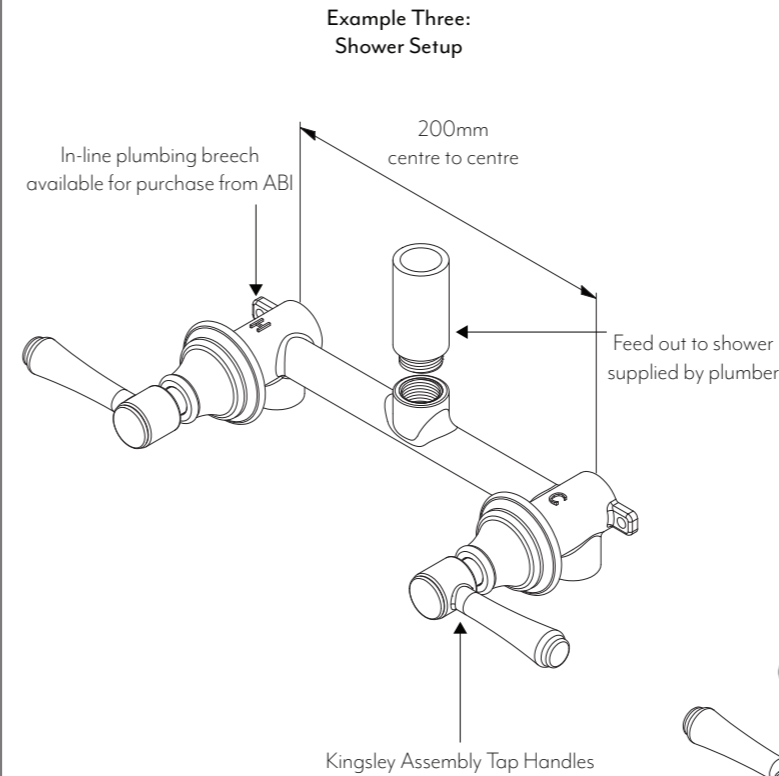
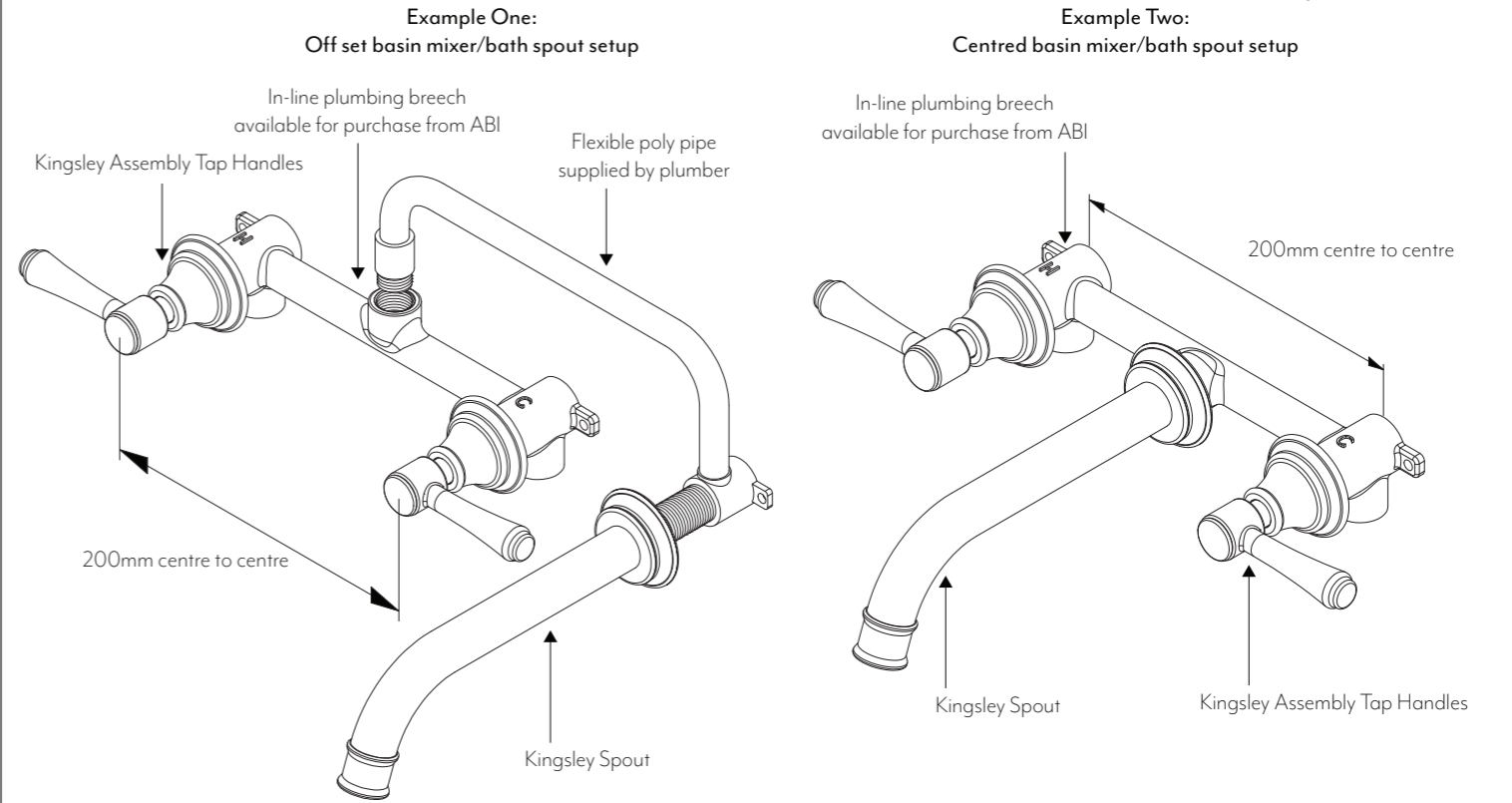
For distances 65mm up to 70mm between nogging and finished wall surface, an extended spindle (available for additional purchase) is required. Note: To achieve distances greater than 70mm additional parts can be used with the extended spindle. (bonnet extender, 10mm brass spacer)

ASSEMBLY SETUP GUIDE

Note: This product must be installed by a licensed plumber.

This is a general installation guide - there are many factors that are involved that can alter the installation method. This product install must comply with AS/NZS 3500.

ABI



- WHATS IN THE BOX**

 1. Spindle x 2
 2. Spindle Locking Nut x 2
 3. Back plate x 2
 4. 10mm Brass Spacer x 2
 5. Handle Body x 2
 6. Washer x 2
 7. 20mm screw x 2
 8. 'Hot' Handle Cap x 1
 9. 'Cold' Handle Cap x 1
 10. 25mm screw x 2

