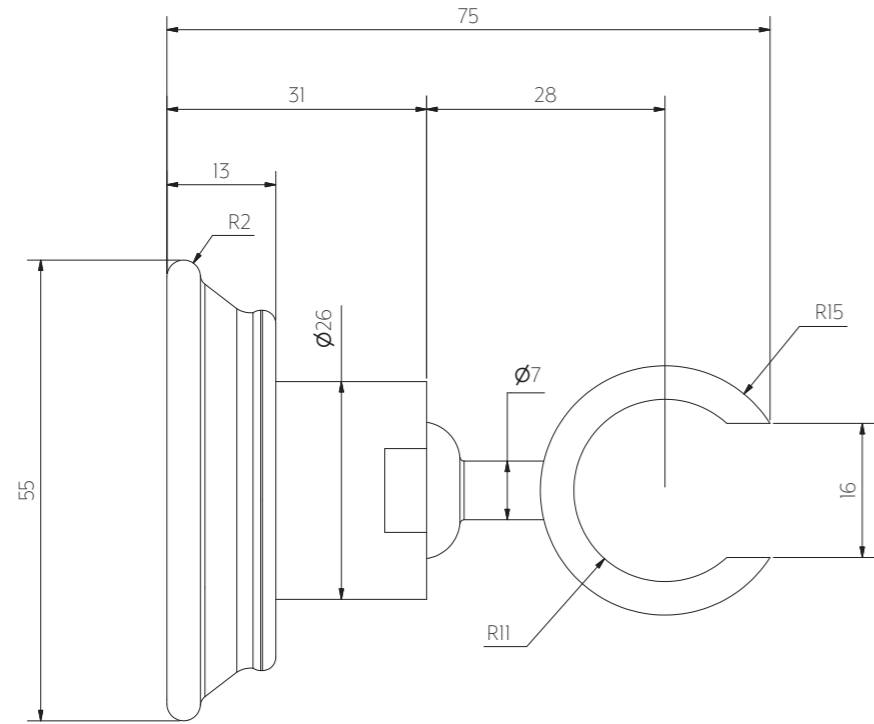
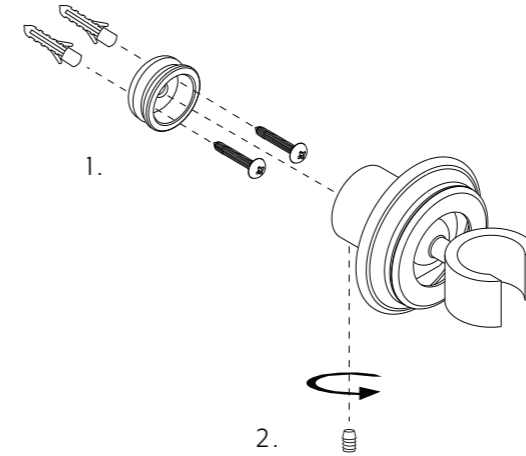


## INSTALLATION GUIDE

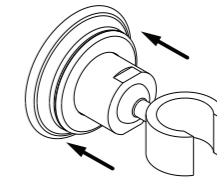
Note: This product must be installed by a licenced tradesperson.  
This is a general installation guide - there are many factors that are involved that alter the installation method.



1. Fix the wall bracket to the wall
2. Fit the hand shower holder and fasten grub screw



1. Push back plate onto wall

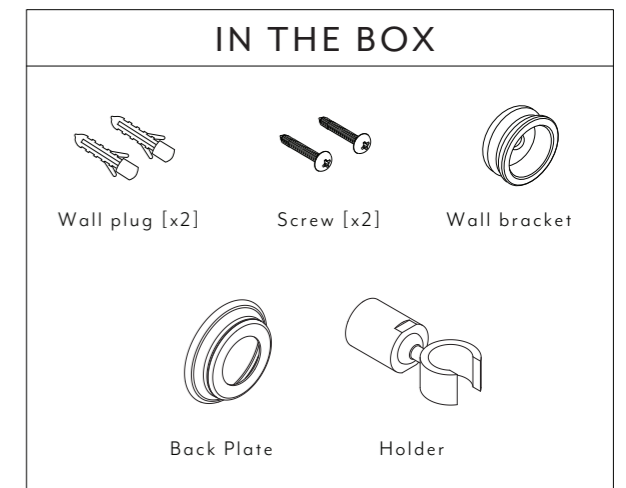


**Note:** Dimensions are nominal measurements only

### SPECIFICATIONS

<b>RECOMMENDED USE</b>	Domestic
<b>MATERIAL</b>	Solid Brass
<b>MOUNTING HARDWARE INCLUDED</b>	Yes
<b>SCREW TYPE</b>	25mm screw with plugs

Disclaimer: Products in this specification manual must by regulation be installed by licensed and registered trade people. The manufacturer/distributor reserves the right to vary specifications or delete models from their range without prior notification. Dimensions are nominal measurements only. Dimensions and set-outs listed are correct at time of publication however the manufacturer/distributor takes no responsibility for printing errors. All ABI Products are designed in Australia. Copyright ABI Interiors 2019.



Regularly clean with mild liquid detergent or soap and water



DO NOT use cream cleaners or bleach. These substances are abrasive



DO NOT use cleaning pads with abrasive surfaces as this may scratch the material