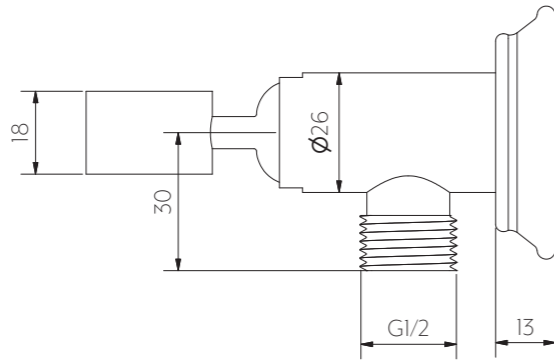


Top View



Side View

Note: Dimensions are nominal measurements only

SPECIFICATIONS

RECOMMENDED USE

Domestic

MATERIAL

Solid Brass

PRESSURE RATING

Recommended minimum working pressure 150kPa
Recommended maximum working pressure 500kPa
Hot and cold water inlet pressure should be equal

TEMPERATURE RATING

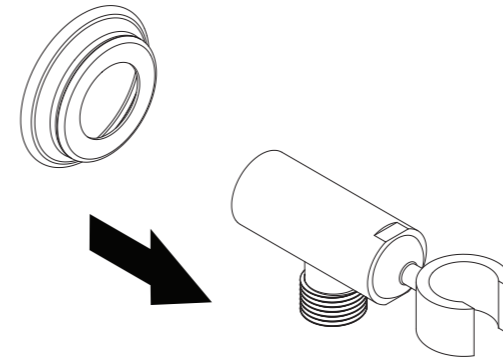
Maximum continuous working temperature 75°C
If the water temperature exceeds 75°C, an approved tempering valve must be fitted

Disclaimer: Products in this specification manual must by regulation be installed by licensed and registered trade people. The manufacturer/distributor reserves the right to vary specifications or delete models from their range without prior notification. Dimensions are nominal measurements only. Dimensions and set-outs listed are correct at time of publication however the manufacturer/distributor takes no responsibility for printing errors. All ABI Products are designed in Australia. Copyright ABI Interiors 2019.

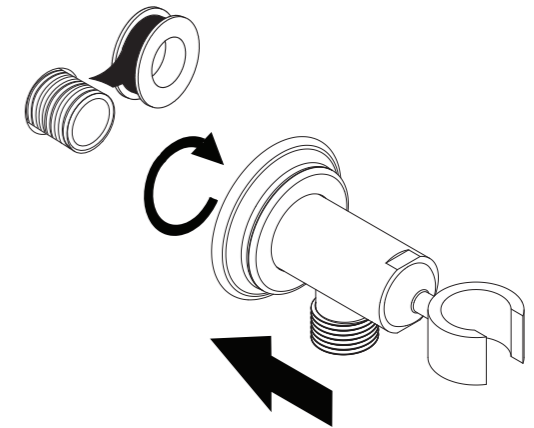
INSTALLATION GUIDE

Note: This product must be installed by a licenced tradesperson. This is a general installation guide - there are many factors that are involved that alter the installation method.

- 1 Slide back plate onto BP Body. Ensure o ring is firmly gripping the spout and creating a tight seal.



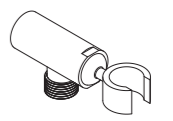
- 2 Apply the teflon tape to the brass outlet pipe. Twist the BP on and hand tighten. Push back plate to the wall surface.



IN THE BOX



1x Back plate



1x BP Body



Regularly clean with mild liquid detergent or soap and water



DO NOT use cream cleaners or bleach. These substances are abrasive



DO NOT use cleaning pads with abrasive surfaces as this may scratch the material