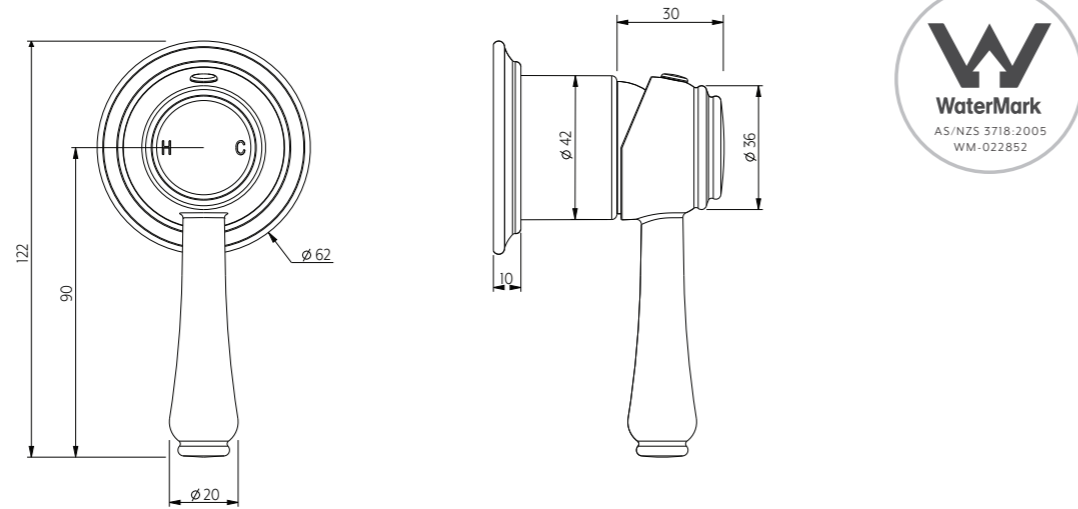
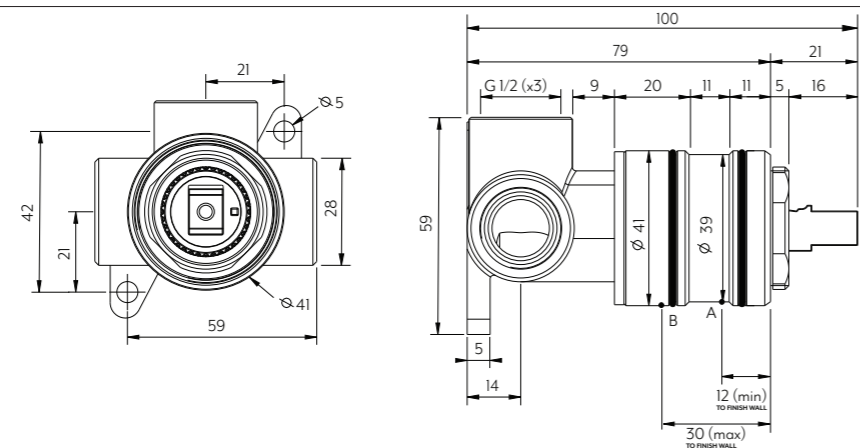


Just Colour Parts



In Wall



Disclaimer: To achieve infinity (interchangeable sleeves) finish wall must fall between Point A and B. Your in-wall component must be installed **without the sleeve attached**, please ensure that your chosen sleeve doesn't break your waterproofing seal.

Note: Dimensions are nominal measurements only

SPECIFICATIONS

RECOMMENDED USE

Domestic

MATERIAL

Solid Brass

PRESSURE RATING

Recommended minimum working pressure 150kPa
Recommended maximum working pressure 500kPa
Hot and cold water inlet pressure should be equal

TEMPERATURE RATING

Maximum continuous working temperature 75°C
If the water temperature exceeds 75°C, an approved tempering valve must be fitted

STANDARDS

WELS Star Rating 5 star - Flow Rate: 6L/min
Registration No. T40052, WM-022852
(When paired with Kingsley Wall Mounted Spout)

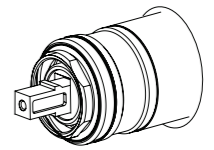
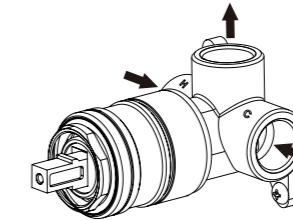
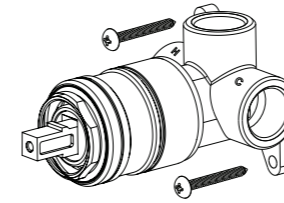
Disclaimer: Products in this manual must by law be installed by licensed and registered tradespeople in accordance with the relevant standards. ABI and the manufacturer/distributor reserve the right to vary specifications or delete models from their range without prior notification. Dimensions are nominal measurements only. The information listed is correct at the time of publication, however ABI and the manufacturer/distributor takes no responsibility for printing errors. Copyright © ABI Interiors 2021

INSTALLATION GUIDE

Note: This product must be installed by a licensed plumber. This is a general installation guide - there are many factors that are involved that can alter the installation method. All work carried out must comply and be according to AS/NZS 3500.

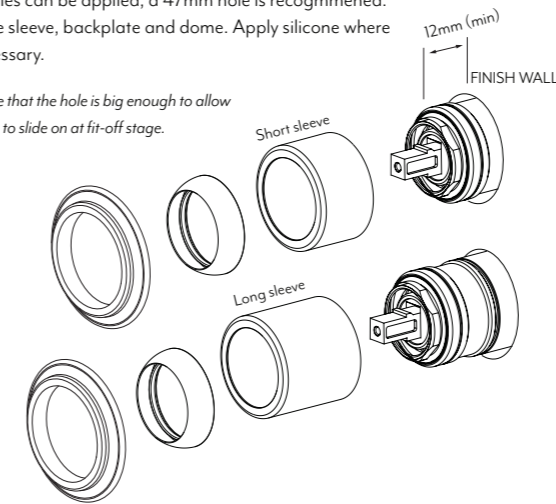
- 1 Fasten screws to secure the wall mixer into wall structure.
- 2 Attach water supply and water outlet. TEST AND CHECK FOR LEAKS.
- 3 Your sheeting and waterproofing layer can now be applied. Depending on what length sleeve you use, ensure it does not break your waterproof layer.

***Ensure** your In-wall mixer body will protrude sufficient out of your sheeting and tiles before fixing.

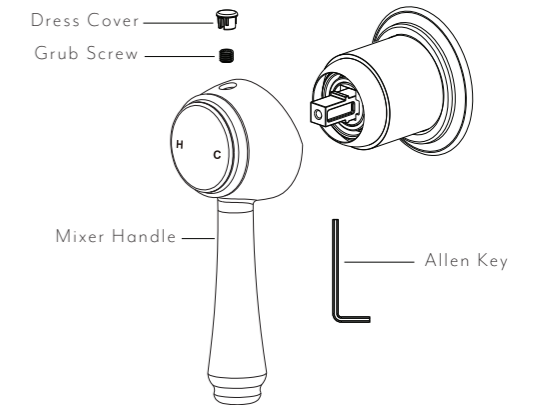


- 4 The tiles can be applied, a 47mm hole is recommended. Fit the sleeve, backplate and dome. Apply silicone where necessary.

Please ensure that the hole is big enough to allow for the sleeve to slide on at fit-off stage.



- 5 Place the handle onto the fitting. Fasten the grub screw firmly with the allen key.



HOW TO CUSTOMIZE YOUR MIXER

STEP 1: Visit our online shop or go in-store to purchase your handle kit - Be sure to check the mixer type before you purchase!

STEP 2: Remove the handle, dome and sleeve from your mixer & repeat steps above for installation! (Ensure waterproofing was conducted prior to sleeve install).

STEP 3: Be sure to get this checked by your plumber prior to using.

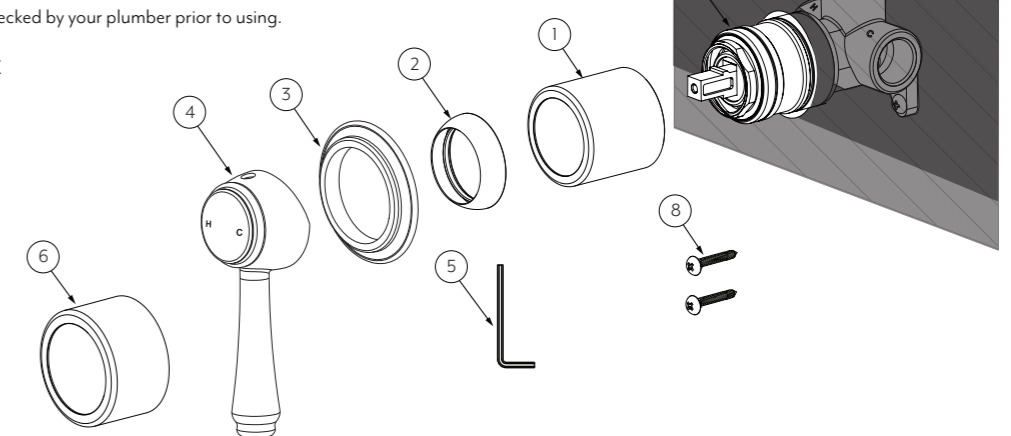
WHAT'S IN THE BOX EXPLODED VIEW

HANDLE KIT (BOX 1)

1. Long Sleeve
2. Dome
3. Back Plate
4. Handle
5. Allen Key
6. Short Sleeve

IN-WALL (BOX 2)

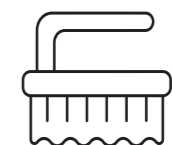
7. Wall Mixer
8. Fixing Screws [x2]



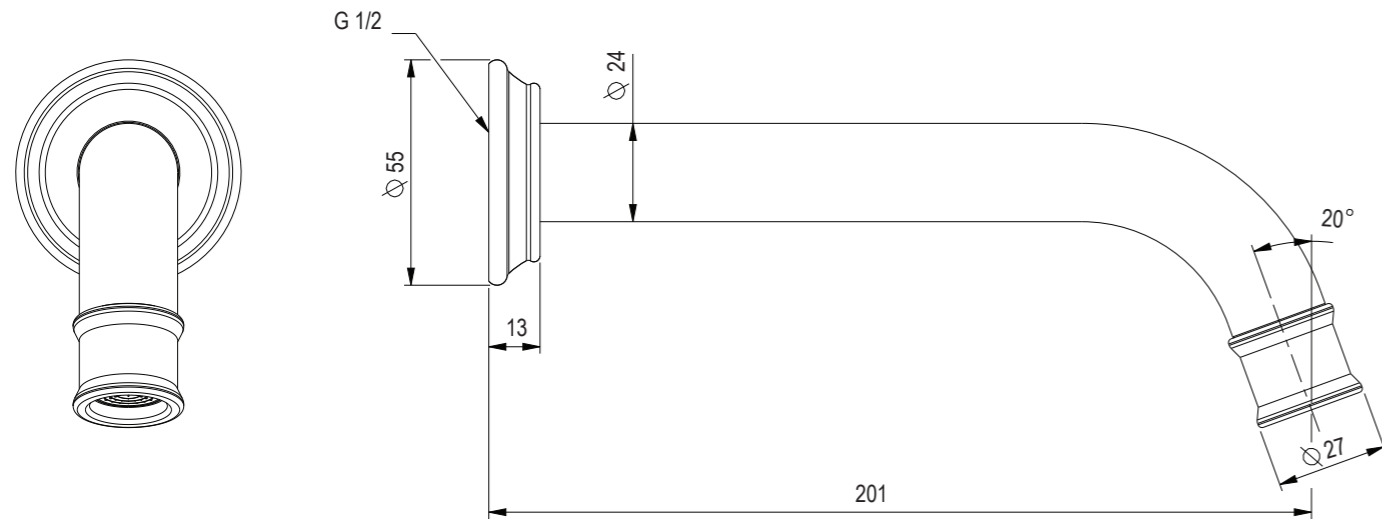
Regularly clean with mild liquid detergent or soap and water



DO NOT use cream cleaners or bleach. These substances are abrasive



DO NOT use cleaning pads with abrasive surfaces as this may scratch the material



Front View

Side View

Note: Dimensions are nominal measurements only

SPECIFICATIONS

RECOMMENDED USE

Domestic

CONSTRUCTION

Solid Brass

TEMPERATURE RATING

Maximum continuous working temperature 75°C
If the water temperature exceeds 75°C, an approved tempering valve must be fitted

PRESSURE RATING

Recommended minimum working pressure 150kPa
Recommended maximum working pressure 500kPa
Hot and cold water inlet pressure should be equal

STANDARDS

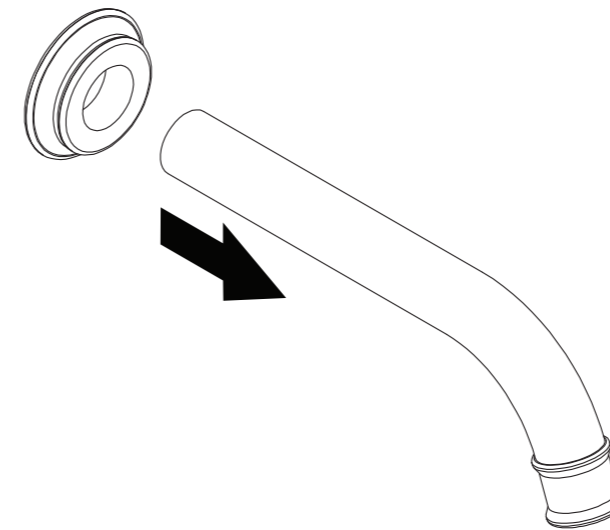
WELS Star Rating 5 star - Flow Rate: 6L/min
Registration No. T40052, WM-022852
(When paired with Kingsley Mixer)

Disclaimer: Products in this manual must by law be installed by licensed and registered tradespeople in accordance with the relevant standards. ABI and the manufacturer/distributor reserve the right to vary specifications or delete models from their range without prior notification. Dimensions are nominal measurements only. The information listed is correct at the time of publication, however ABI and the manufacturer/distributor takes no responsibility for printing errors. Copyright © ABI Interiors 2021

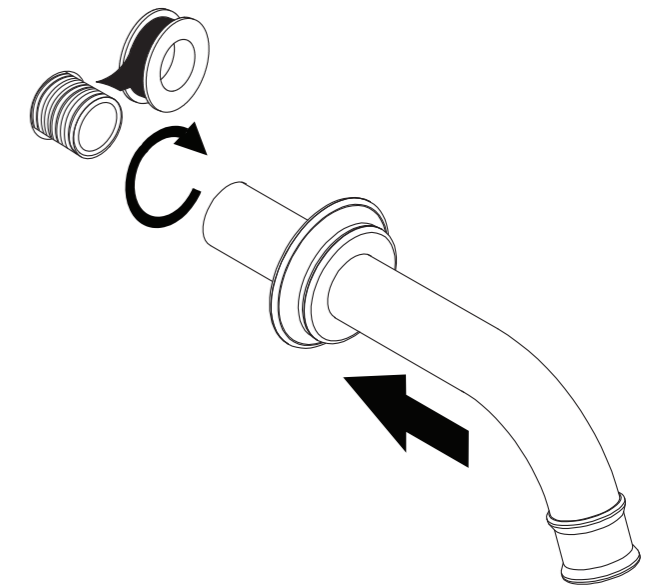
INSTALLATION GUIDE

Note: This product must be installed by a licensed plumber. This is a general installation guide - there are many factors that are involved that can alter the installation method. All work carried out must comply and be according to AS/NZS 3500.

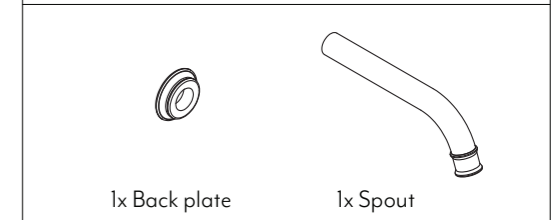
1 Slide back plate onto spout. Ensure o ring is firmly gripping the spout and creating a tight seal.



2 Apply the teflon tape to the brass nipple. Twist the spout on and hand tighten. Push back plate to the wall surface.



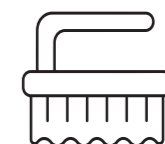
WHAT'S IN THE BOX



Regularly clean with mild liquid detergent or soap and water



DO NOT use cream cleaners or bleach. These substances are abrasive



DO NOT use cleaning pads with abrasive surfaces as this may scratch the material