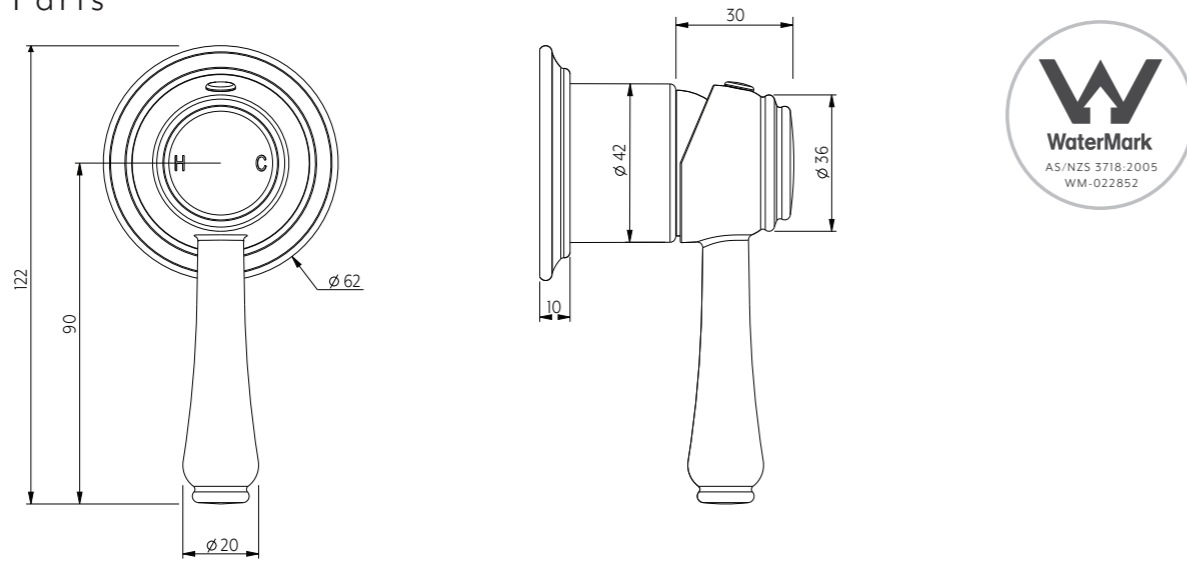
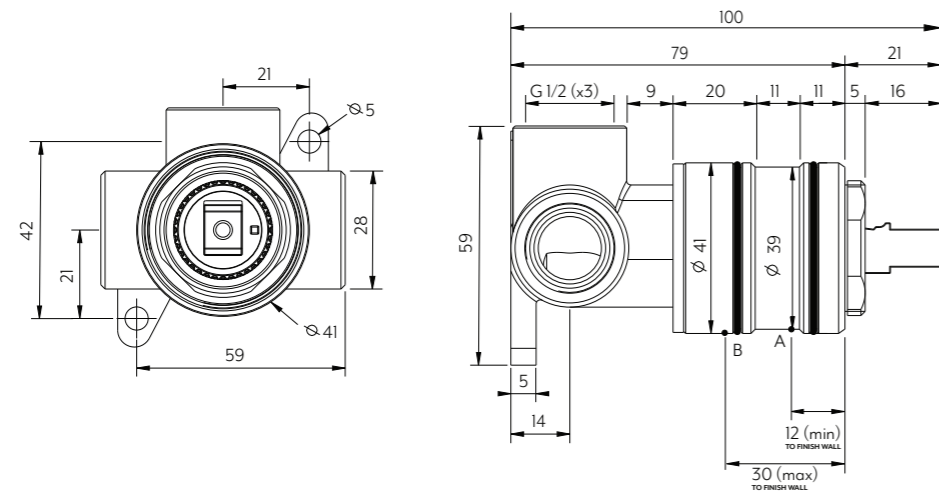


## Just Colour Parts



## In Wall



Disclaimer: To achieve infinity (interchangeable sleeves) finish wall must fall between Point A and B. Your In-wall component must be installed **without the sleeve attached**, please ensure that your chosen sleeve doesn't break your waterproofing seal.

**Note:** Dimensions are nominal measurements only

## SPECIFICATIONS

### RECOMMENDED USE

Domestic

### MATERIAL

Solid Brass

### TEMPERATURE RATING

Maximum continuous working temperature 75°C  
If the water temperature exceeds 75°C, an approved tempering valve must be fitted

### PRESSURE RATING

Recommended minimum working pressure 0.2 Bar  
Recommended maximum working pressure 5 Bar  
Hot and cold water inlet pressure should be equal

### SUITABLE HOT WATER UNITS

Storage tank: Yes  
Continuous Flow: Yes  
Gravity Feed: Suitable

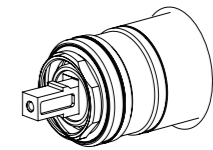
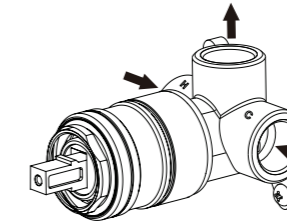
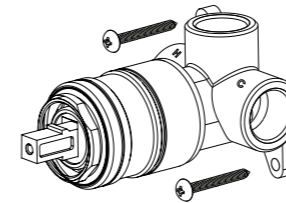
Disclaimer: Products in this specification manual must by regulation be installed by licensed and registered trade people. The manufacturer/distributor reserves the right to vary specifications or delete models from their range without prior notification. Dimensions are nominal measurements only. Dimensions and set-outs listed are correct at time of publication however the manufacturer/distributor takes no responsibility for printing errors. All ABI Products are designed in Australia. Copyright ABI Interiors Pty Ltd 2021.

## INSTALLATION GUIDE

Note: This product must be installed by a licensed plumber. This is a general installation guide - there are many factors that are involved that can alter the installation method. For installs outside Australia and New Zealand, the standards in your respective country must be adhered to by your licensed tradesperson.

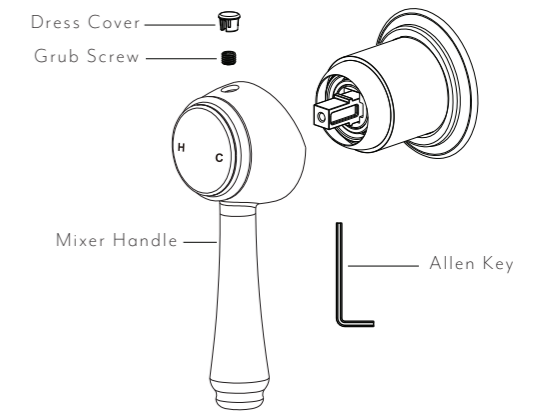
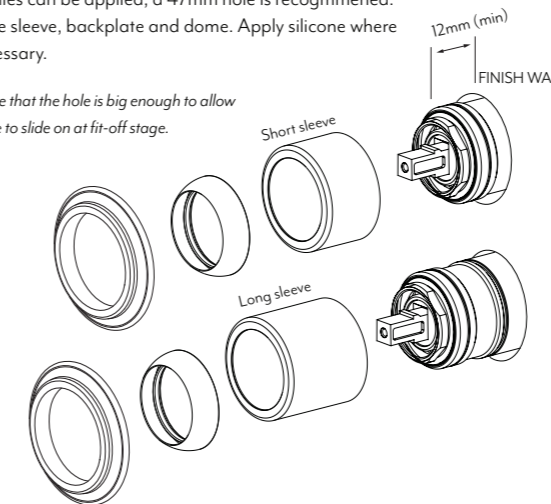
- Fasten screws to secure the wall mixer into wall structure.
- Attach water supply and water outlet. **TEST AND CHECK FOR LEAKS.**
- Your sheeting and waterproofing layer can now be applied. Depending on what length sleeve you use, ensure it does not break your waterproof layer.
- The tiles can be applied, a 47mm hole is recommended. Fit the sleeve, backplate and dome. Apply silicone where necessary.
- Place the handle onto the fitting. Fasten the grub screw firmly with the allen key.

**\*Ensure** your In-wall mixer body will protrude sufficient out of your sheeting and tiles before fixing.



Please ensure that the hole is big enough to allow for the sleeve to slide on at fit-off stage.

12mm (min) FINISH WALL



## HOW TO CUSTOMIZE YOUR MIXER

STEP 1: Visit our online shop or go in-store to purchase your handle kit - Be sure to check the mixer type before you purchase!

STEP 2: Remove the handle, dome and sleeve from your mixer & repeat steps above for installation! (Ensure waterproofing was conducted prior to sleeve install).

STEP 3: Be sure to get this checked by your plumber prior to using.

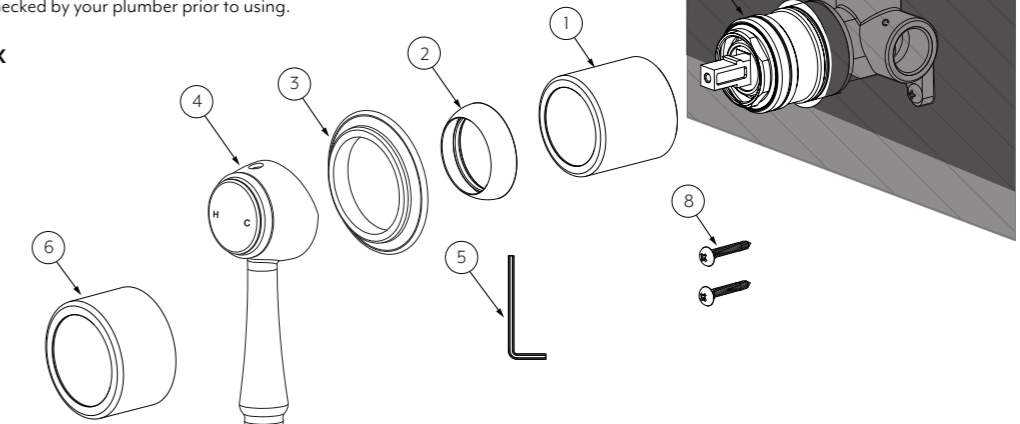
### WHAT'S IN THE BOX EXPLODED VIEW

#### HANDLE KIT (BOX 1)

- Long Sleeve
- Dome
- Back Plate
- Handle
- Allen Key
- Short Sleeve

#### IN-WALL (BOX 2)

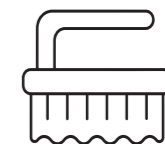
- Wall Mixer
- Fixing Screws [x2]



Regularly clean with mild liquid detergent or soap and water



DO NOT use cream cleaners or bleach. These substances are abrasive



DO NOT use cleaning pads with abrasive surfaces as this may scratch the material