

Note: Dimensions are nominal measurements only

SPECIFICATIONS

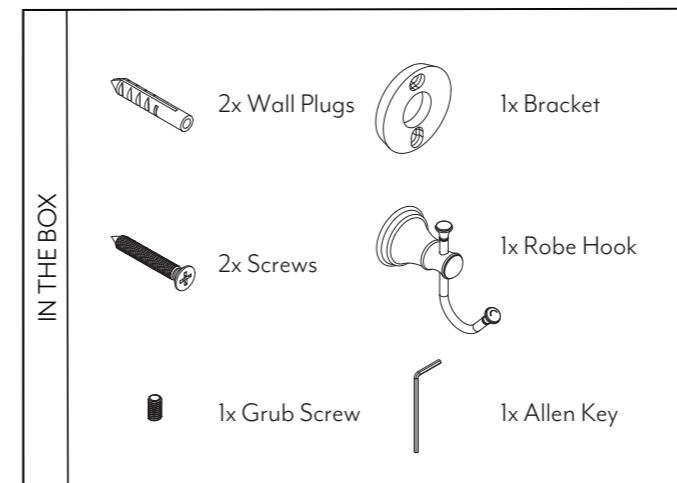
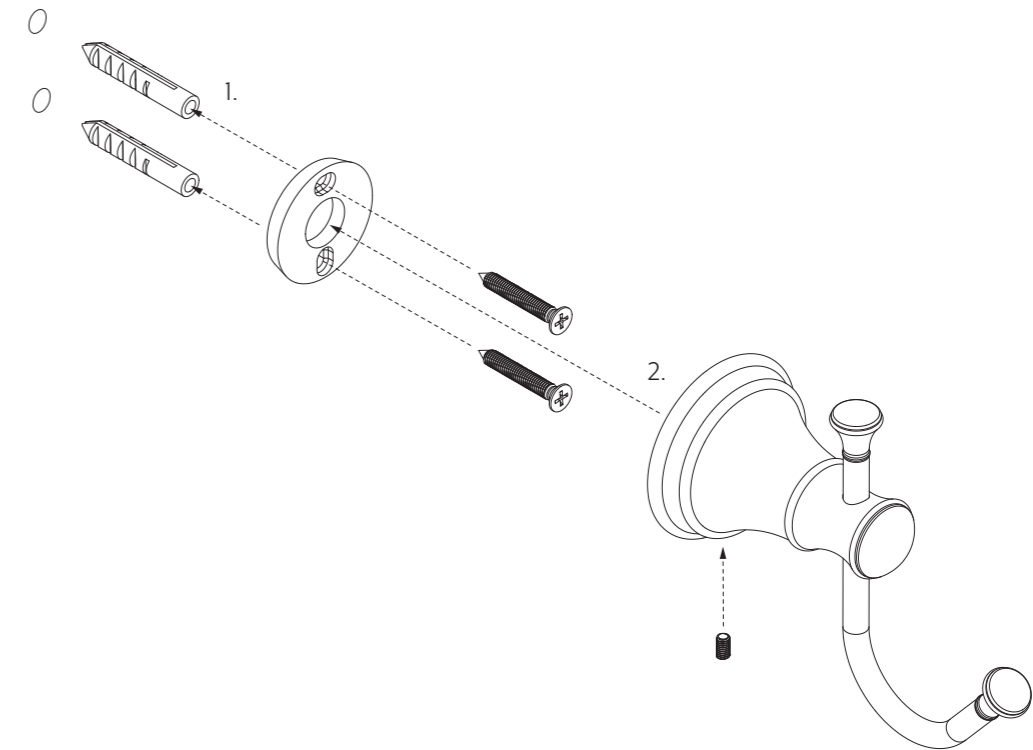
RECOMMENDED USE	Domestic
MATERIAL	Solid Brass
MOUNTING HARDWARE INCLUDED	Yes
SCREW/ BOLT TYPE	(25mm screw & wall plug) x2
WEIGHT	N/A

Disclaimer: Products in this specification manual must by regulation be installed by licensed and registered trade people. The manufacturer/distributor reserves the right to vary specifications or delete models from their range without prior notification. Dimensions are nominal measurements only. Dimensions and set-outs listed are correct at time of publication however the manufacturer/distributor takes no responsibility for printing errors. All ABI Products are designed in Australia. Copyright ABI Interiors Pty Ltd 2021.

INSTALLATION GUIDE

Note: This product must be installed by a licensed tradesperson. This is a general installation guide - there are many factors that are involved that can alter the installation method. ABI takes no responsibility if your product is not fixed to adequate wall structure

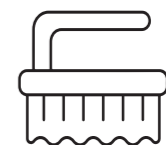
- 1 Fix the bracket to the wall, ensure there is sufficient wall structure for the screws to bite into. Be sure to use the correct fixing hardware depending on your wall material.
- 2 Push the robe hook over the bracket and tighten the grub screw underneath.



Regularly clean with mild liquid detergent or soap and water



DO NOT use cream cleaners or bleach. These substances are abrasive



DO NOT use cleaning pads with abrasive surfaces as this may scratch the material