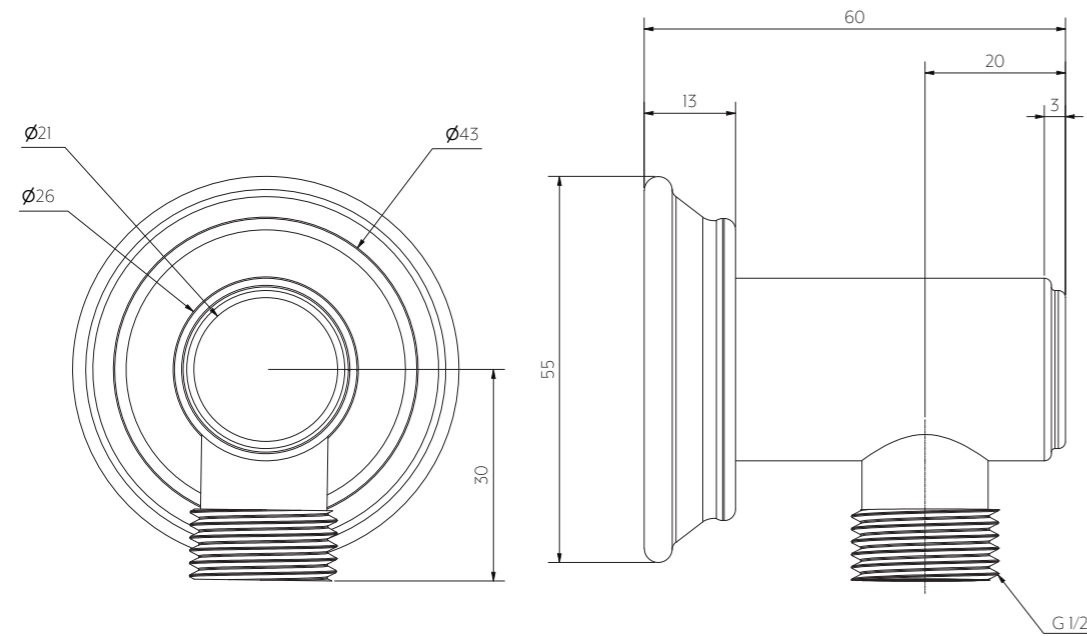


## INSTALLATION GUIDE

Note: This product must be installed by a licensed tradesperson. This is a general installation guide - there are many factors that are involved that can alter the installation method. This product install must comply with AS/NZS 3500, for installs outside Australia and New Zealand, the standards in your respective country must be adhered to by your licensed tradesperson.



**Note:** Dimensions are nominal measurements only

### SPECIFICATIONS

#### RECOMMENDED USE

Domestic

#### MATERIAL

Solid Brass

#### PRESSURE RATING

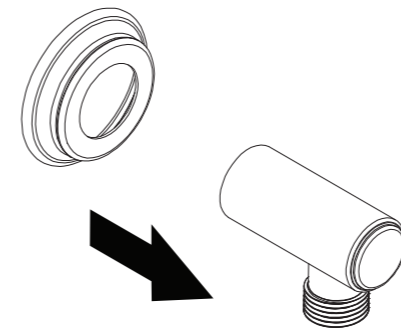
Recommended minimum working pressure 150kPa  
Recommended maximum working pressure 500kPa  
Hot and cold water inlet pressure should be equal

#### TEMPERATURE RATING

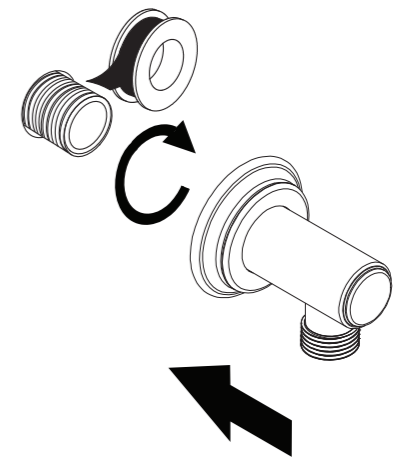
Maximum continuous working temperature 75°C  
If the water temperature exceeds 75°C, an approved tempering valve must be fitted

Disclaimer: Products in this specification manual must by regulation be installed by licensed and registered trade people. The manufacturer/distributor reserves the right to vary specifications or delete models from their range without prior notification. Dimensions are nominal measurements only. Dimensions and set-outs listed are correct at time of publication however the manufacturer/distributor takes no responsibility for printing errors. All ABI Products are designed in Australia. Copyright ABI Interiors 2019.

**1** Slide back plate onto BP Body. Ensure o ring is firmly gripping the spout and creating a tight seal.



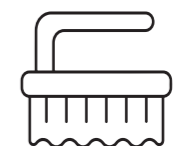
**2** Apply the teflon tape to the brass outlet pipe. Twist the BP on and hand tighten. Push back plate to the wall surface.





Regularly clean with mild liquid detergent or soap and water



DO NOT use cream cleaners or bleach. These substances are abrasive



DO NOT use cleaning pads with abrasive surfaces as this may scratch the material

WHAT'S IN THE BOX	
	
1x Back plate	1x BP Body