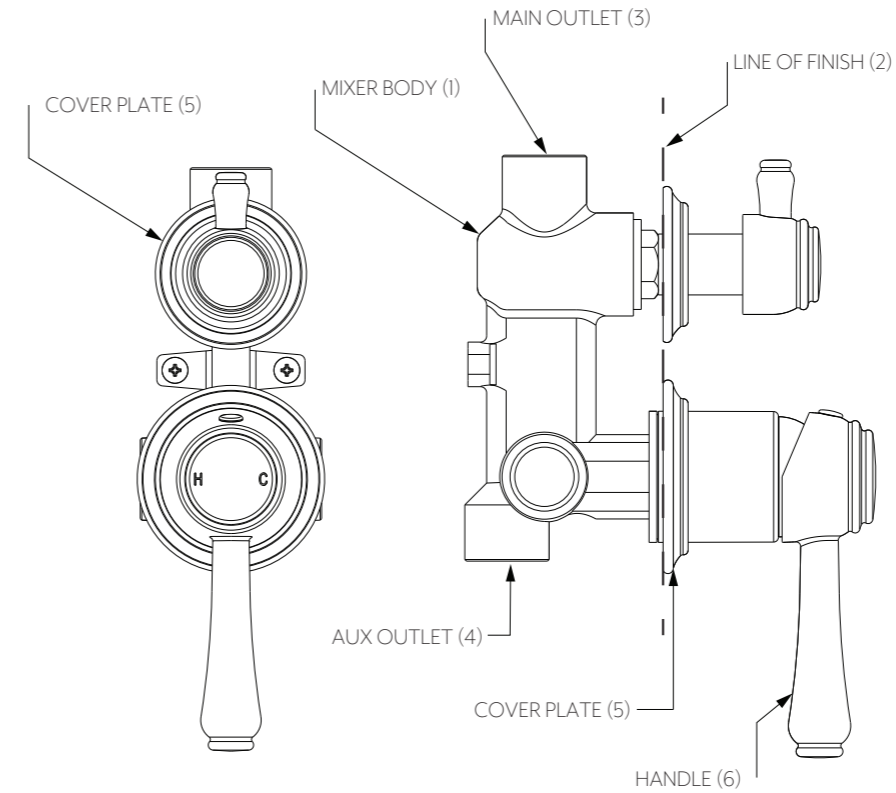
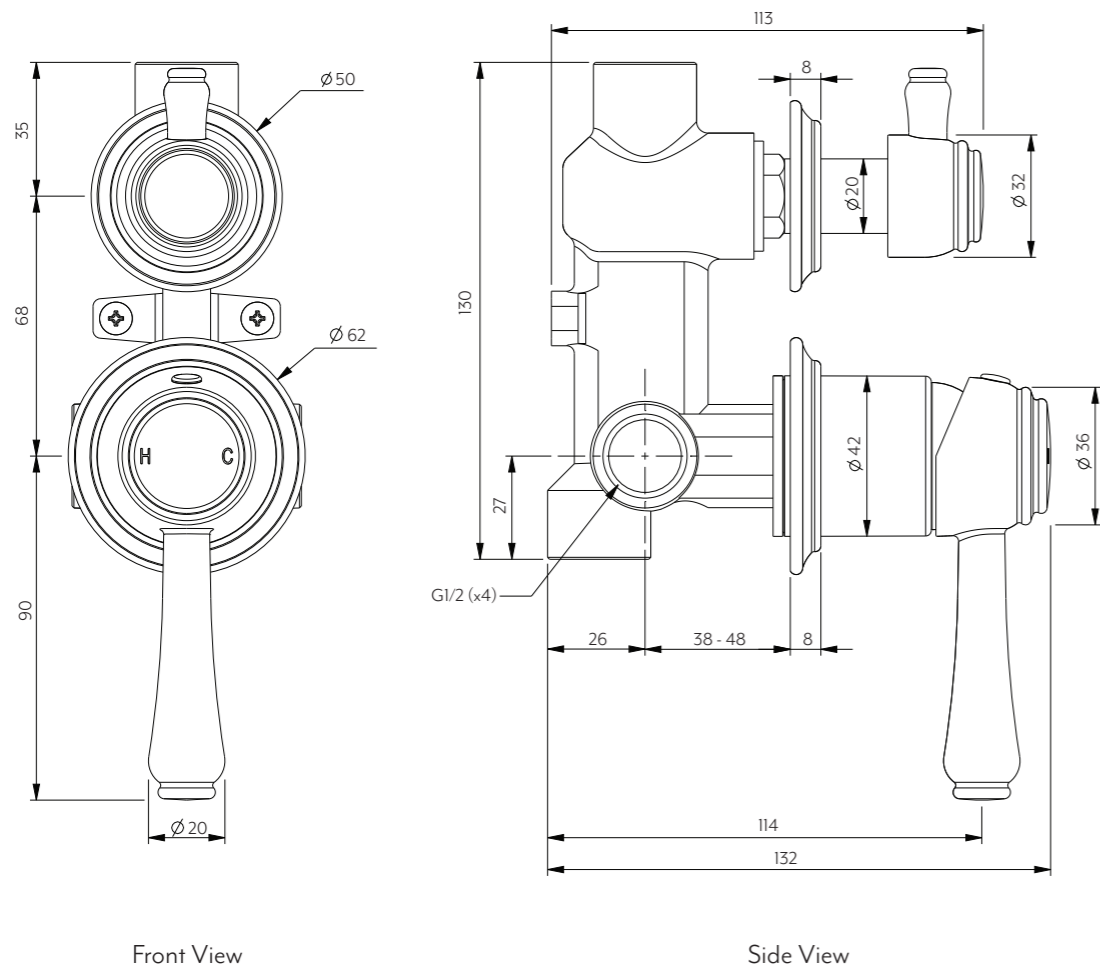


INSTALLATION GUIDE

Note: This product must be installed by a licensed plumber. This is a general installation guide - there are many factors that are involved that can alter the installation method. This product install must comply with AS/NZS 3500. For installs outside Australia and New Zealand, the standards in your respective country must be adhered to by your licensed tradesperson.



- 1 Using fixing points in mixer body (1). Fasten into place allowing for finished wall (2).
- 2 Connect hot & cold, aux outlet (4) & main outlet (3), test with pressure. The main outlet (3) will be the default outlet when water is first turned on (For example if water is to come out of the rain shower head by default the line of this fixture should be connected to main outlet).
- 3 When installing wall sheeting ensure hole cutout size does not exceed the coverplate (5) coverage area - Ensure all entry points around mixer body are sealed to prevent water entry.
- 4 Once wall sheeting is completed, slide the cover plate hard back to wall, fit handle (6) and tighten grub screw on handle using supplied allen key.

Note: Dimensions are nominal measurements only

SPECIFICATIONS

RECOMMENDED USE

Domestic

PRESSURE RATING

Recommended minimum working pressure 0.2 Bar
 Recommended maximum working pressure 5 Bar
 Hot and cold water inlet pressure should be equal

TEMPERATURE RATING

Maximum continuous working temperature 75°C
 If the water temperature exceeds 75°C, an approved tempering valve must be fitted

SUITABLE HOT WATER UNITS

Storage tank: Yes
 Continuous Flow: Yes
 Gravity Feed: Suitable

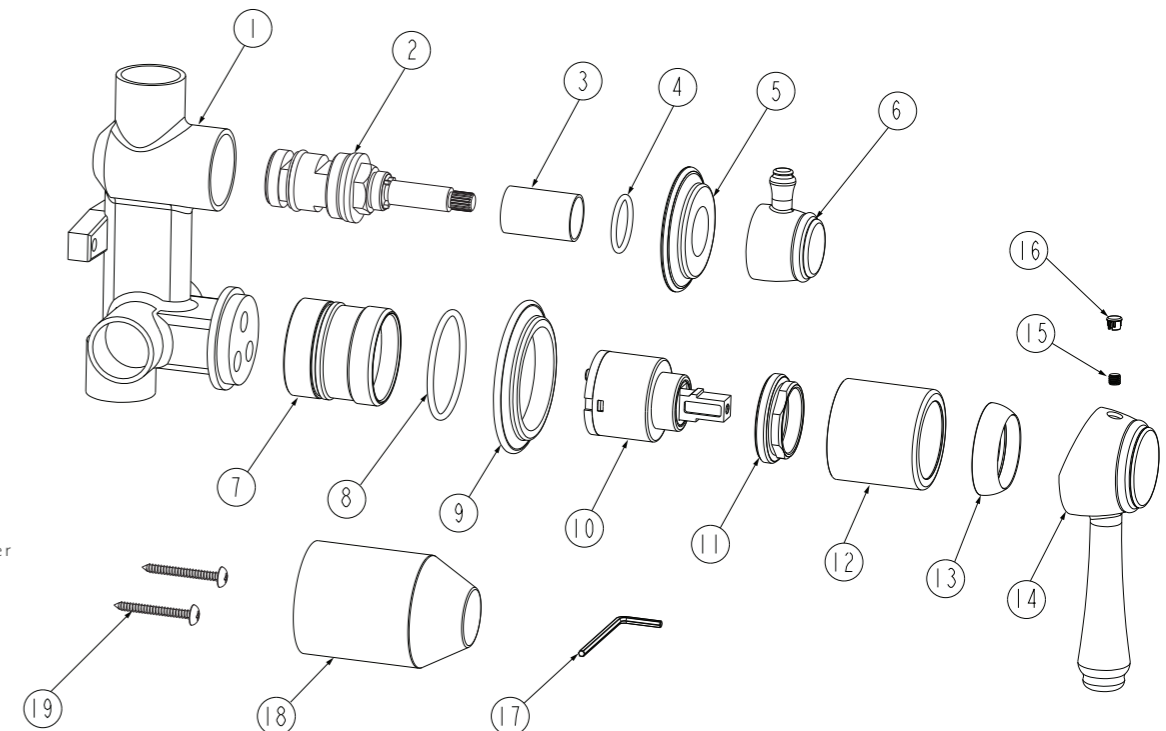
STANDARDS

Nominal Flow Rate (5.5 L/M)

EXPLODED VIEW

Item Description Code

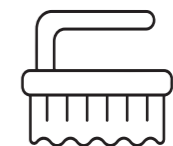
- 1 Body
- 2 Diverter Cartridge
- 3 Diverter Sleeve
- 4 O-Ring
- 5 Diverter Backplate
- 6 Diverter Handle
- 7 Connector Sleeve
- 8 O-Ring
- 9 Back Plate
- 10 Cartridge
- 11 Locking Nut
- 12 Body Sleeve
- 13 Dome
- 14 Handle
- 15-16 Grub screw+Cover
- 17 Allen Key
- 18 Protective Case
- 21 Fixing Screws



Regularly clean with mild liquid detergent or soap and water



DO NOT use cream cleaners or bleach. These substances are abrasive



DO NOT use cleaning pads with abrasive surfaces as this may scratch the material