

**Note:** Dimensions are nominal measurements only

### SPECIFICATIONS

#### RECOMMENDED USE

Domestic/Commercial

#### MATERIAL

304 Stainless Steel

#### INSTALLATION

Bench Mount

#### OVERFLOW

No

#### CAPACITY

37.2L

# INSTALLATION GUIDE

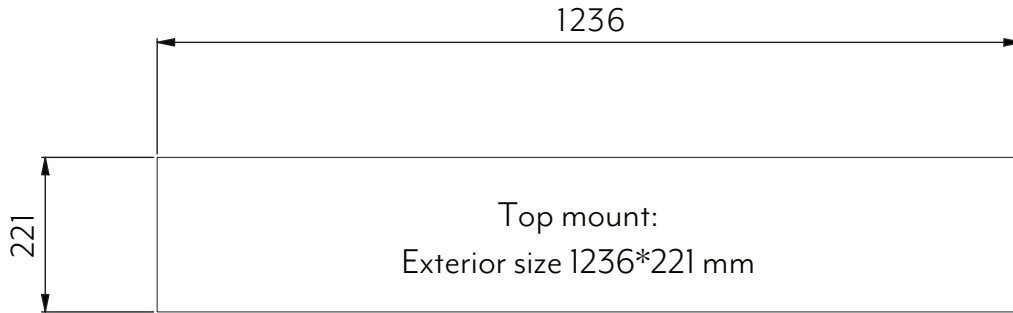
This product must be installed by a licensed plumber. This is a general installation guide - there are many factors involved that can alter the installation method.

AU/NZ: For installations within Australia and New Zealand, this product must be installed in compliance with AS/NZS 3500. For installations in the United Kingdom this product must be installed in compliance with the Water Supply (Water Fittings) Regulations and Water Supply (Water Fittings) (Scotland) Byelaws.

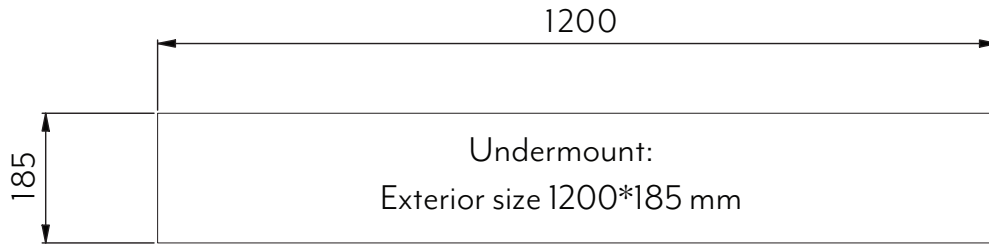


## CUT-OUT TEMPLATES

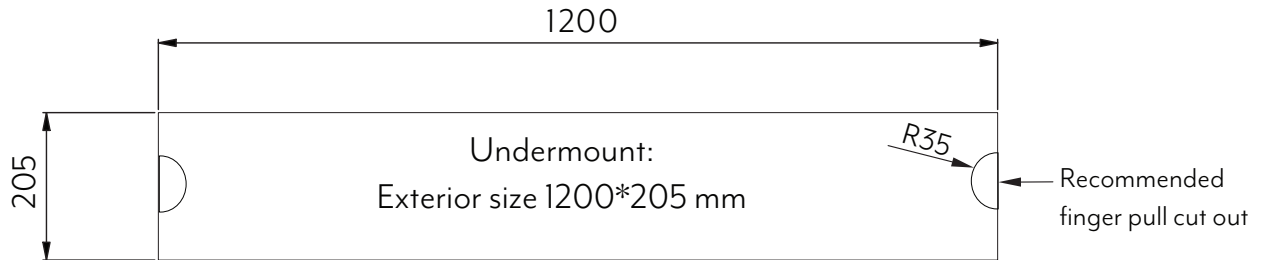
TOP MOUNT TEMPLATE- refer to install method 1



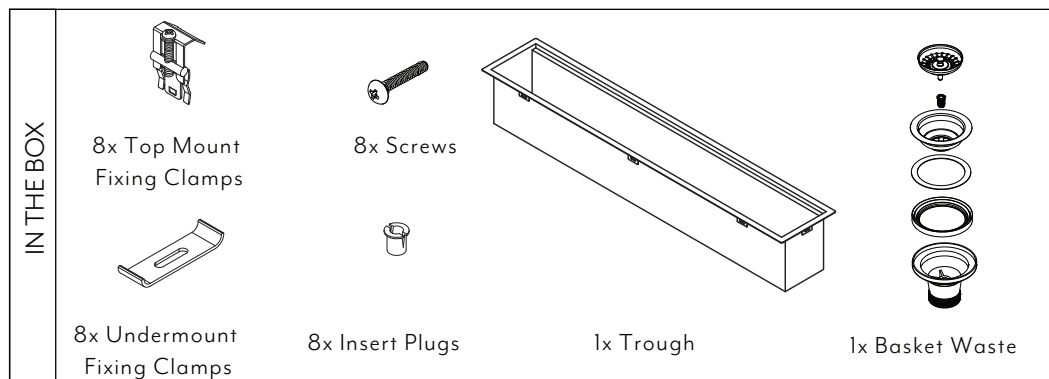
UNDERMOUNT TEMPLATE- refer to install method 2



UNDERMOUNT INSERT TEMPLATE- refer to install method 3



**Disclaimer:** May require alternative cutting method. Please consult with your stone mason prior to purchasing to ensure this cut out preference is suitable for your stone.



Regularly clean with mild liquid detergent or soap and water.



DO NOT use cream cleaners or bleach. These substances are abrasive.



DO NOT use cleaning pads with abrasive surfaces as this may scratch the material.

# INSTALLATION GUIDE METHOD 1 - TOP MOUNT

This product must be installed by a licensed plumber. This is a general installation guide - there are many factors involved that can alter the installation method.

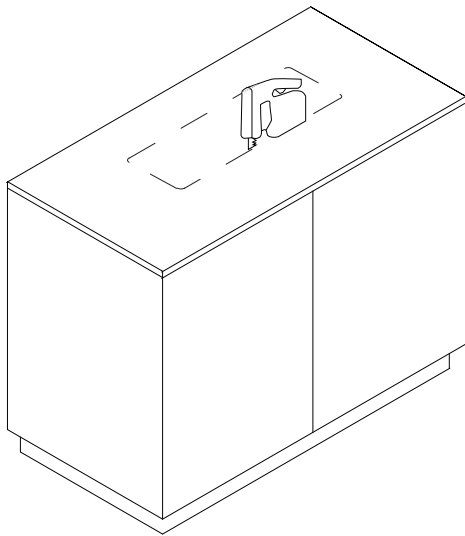
AU/NZ: For installations within Australia and New Zealand, this product must be installed in compliance with AS/NZS 3500. For installations in the United Kingdom this product must be installed in compliance with the Water Supply (Water Fittings) Regulations and Water Supply (Water Fittings) (Scotland) Byelaws.



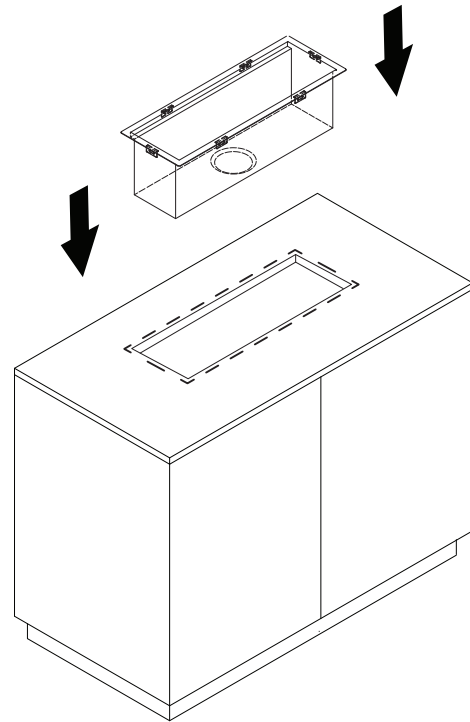
- 1 Mark out desired location of trough using the cut out template dimensions provided.

Cut out trough hole using preferred method.

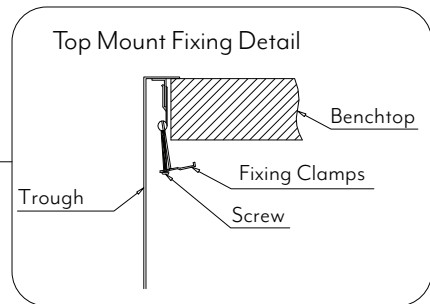
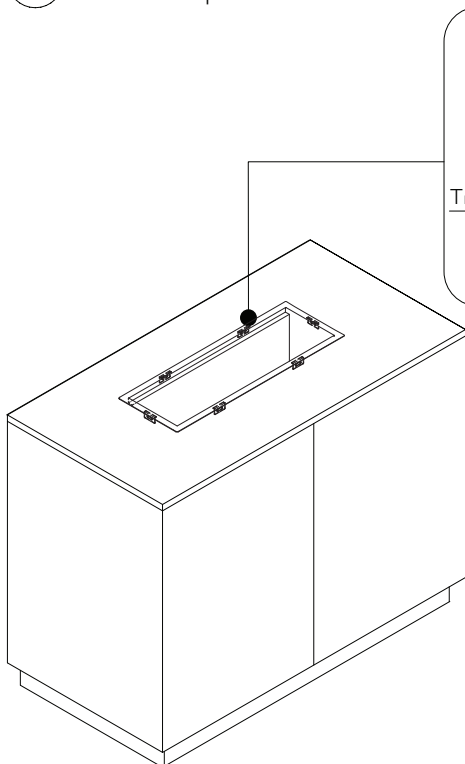
**Note:** If cutting a stone benchtop it will need to be cut in a controlled environment by a licensed tradesperson as per OH&S regulations.



- 2 Clean around edge of benchtop recess & perimeter of trough rim. Apply silicone to perimeter of benchtop hole. Lower trough into recess.



- 3 Apply fixing clamps to the trough & screw to underside of benchtop.



# INSTALLATION GUIDE METHOD 2 - UNDERMOUNT

This product must be installed by a licensed plumber. This is a general installation guide - there are many factors involved that can alter the installation method.

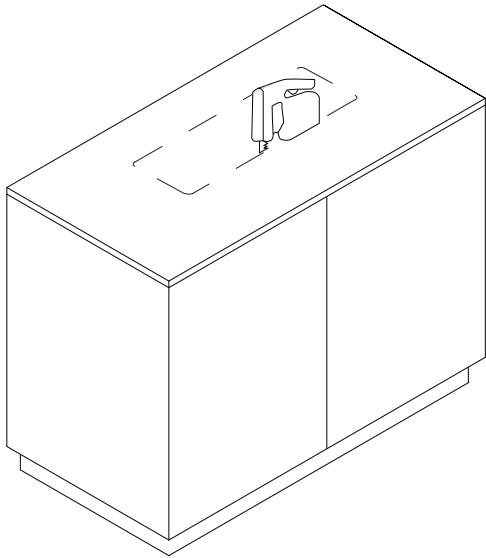
AU/NZ: For installations within Australia and New Zealand, this product must be installed in compliance with AS/NZS 3500. For installations in the United Kingdom this product must be installed in compliance with the Water Supply (Water Fittings) Regulations and Water Supply (Water Fittings) (Scotland) Byelaws.



- 1 Mark out desired location of trough using the cut out template dimensions provided.

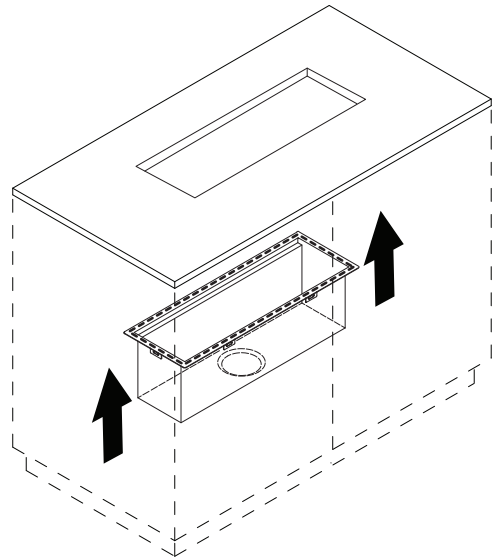
Cut out trough hole using preferred method.

**Note:** If cutting a stone benchtop it will need to be cut in a controlled environment by a licensed tradesperson as per OH&S regulations.



- 2 Clean around the edge of benchtop trough hole & perimeter of sink rim.

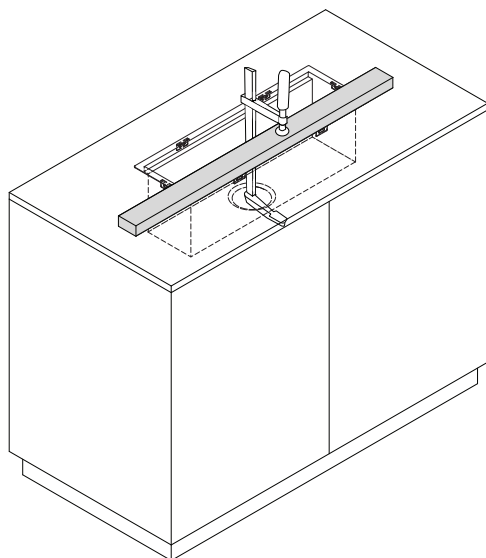
Apply silicone to top perimeter of trough rim, align with recess and raise into position.



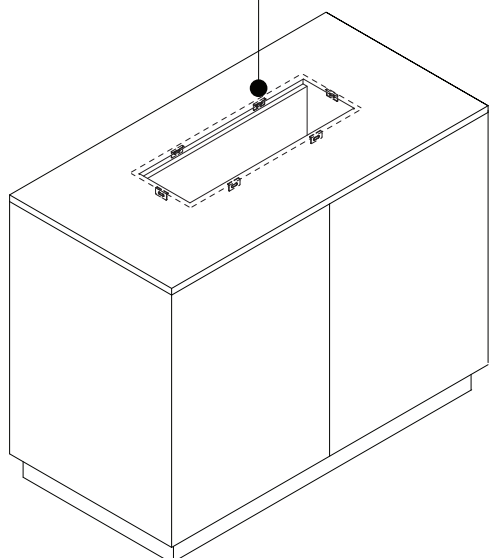
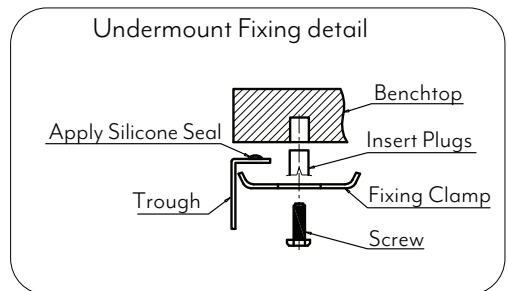
- 3 Lay a piece of timber across the benchtop hole & position in line with trough hole below.

Place clamp through the trough hole & tighten the clamp to hold the trough in place. Wipe away any excess adhesive around benchtop opening.

**Note:** Use rags to protect surfaces when either the clamp or timber is making contact with the benchtop or trough.



- 4 Apply fixings to underside of trough.



# INSTALLATION GUIDE METHOD 3 - UNDERMOUNT WITH BENCH TOP INSERT PIECE



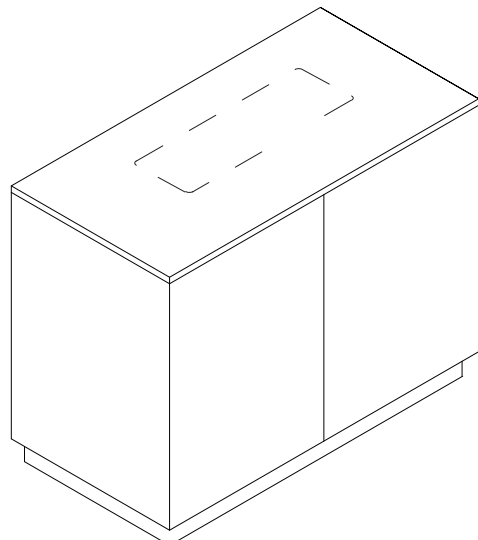
This product must be installed by a licensed plumber. This is a general installation guide - there are many factors involved that can alter the installation method.

AU/NZ: For installations within Australia and New Zealand, this product must be installed in compliance with AS/NZS 3500. For installations in the United Kingdom this product must be installed in compliance with the Water Supply (Water Fittings) Regulations and Water Supply (Water Fittings) (Scotland) Byelaws.

- 1 Mark out desired location of trough using the cut out template dimensions provided. Cut out trough hole using preferred method.

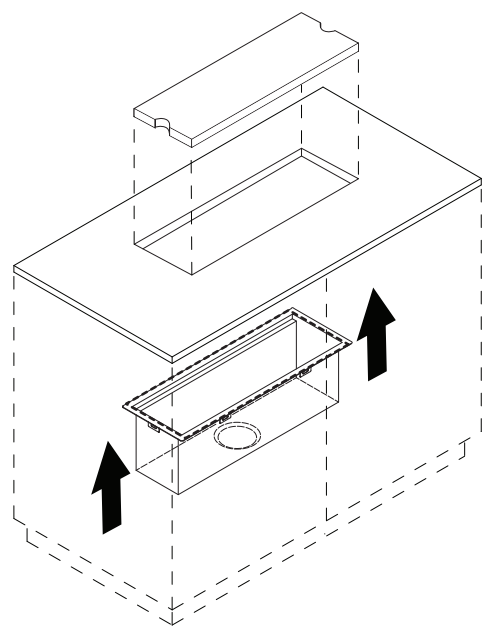
**Note:** If cutting a stone benchtop it will need to be cut in a controlled environment by a licensed tradesperson as per OH&S regulations.

**Disclaimer:** Benchtop insert may require alternative cutting method. Please consult with your stonemason prior to purchasing to ensure this cut out preference is suitable for your stone.



- 2 Clean around the edge of benchtop trough hole & perimeter of sink rim.

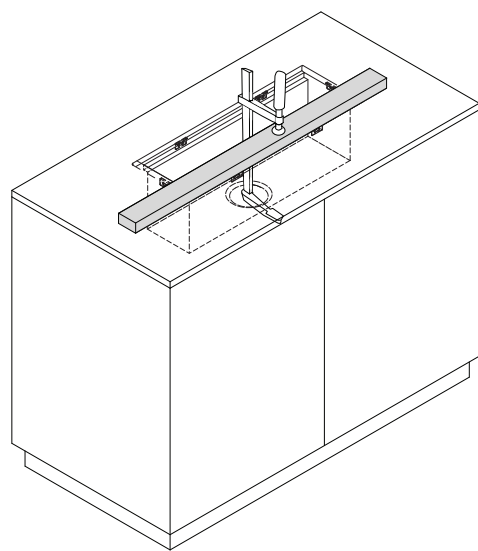
Apply silicone to top perimeter of trough rim, align with recess and raise into position.



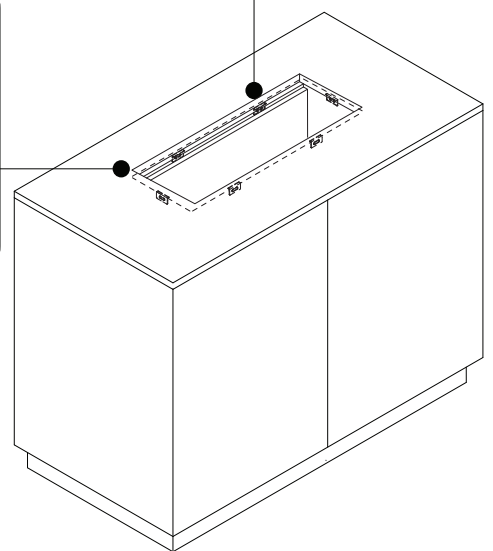
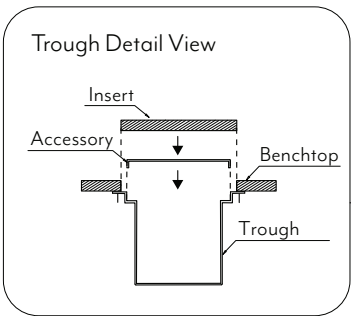
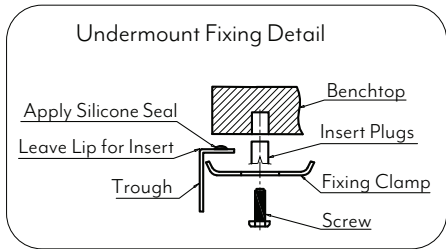
- 3 Lay a piece of timber across the benchtop hole & position in line with trough hole below.

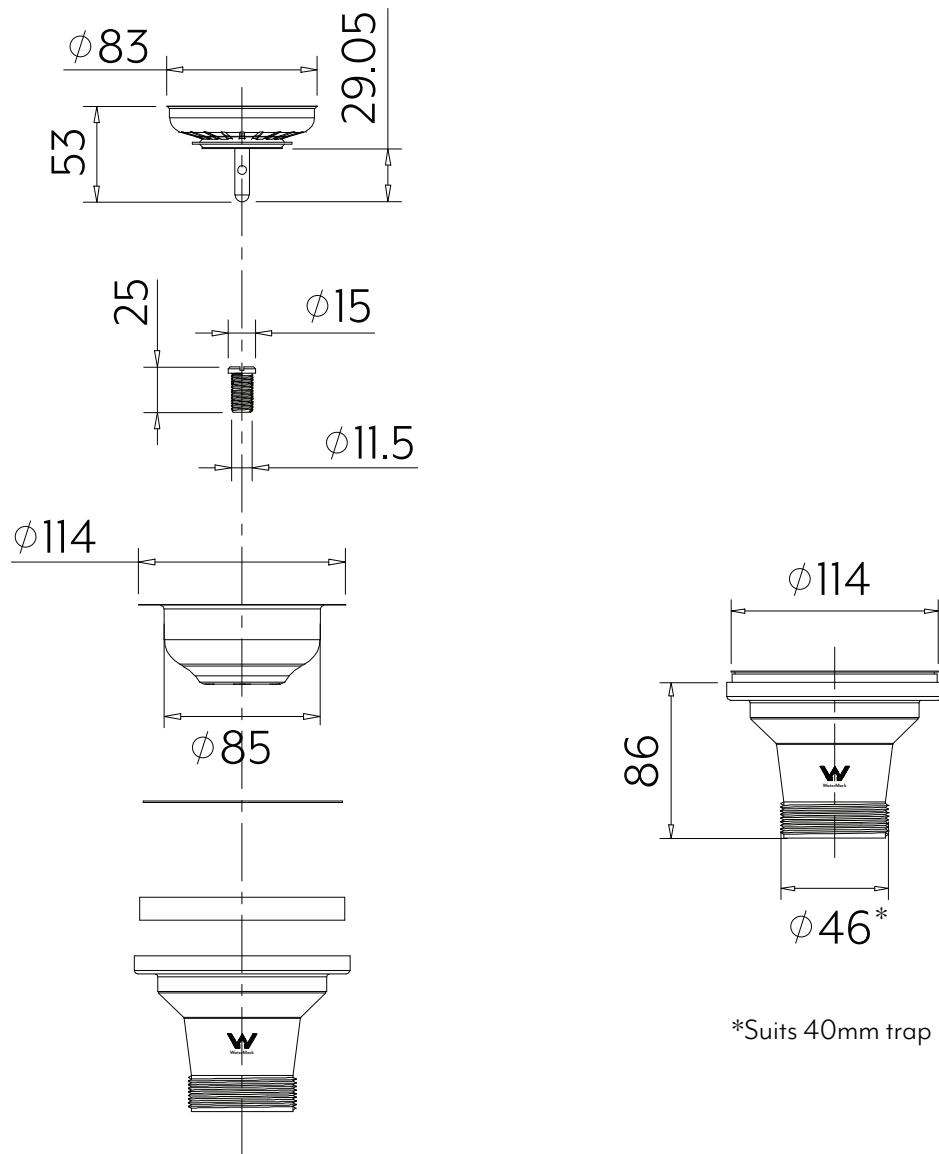
Place clamp through the trough hole & tighten the clamp to hold the trough in place. Wipe away any excess adhesive around benchtop opening.

**Note:** Use rags to protect surfaces when either the clamp or timber is making contact with the benchtop or trough.



- 4 Apply fixings to underside of trough.





\*Suits 40mm trap

**Note:** Dimensions are nominal measurements only

## SPECIFICATIONS

### RECOMMENDED USE

Domestic

### MATERIAL

Stainless Steel

### OVERFLOW

No

### INSTALLATION

Suits 40mm Trap