

**Note:** Dimensions are nominal measurements only

## SPECIFICATIONS

### RECOMMENDED USE

Domestic / Commercial

### MATERIAL

304 Stainless Steel

### INSTALLATION

Wall or Floor Mounted

### WARRANTY

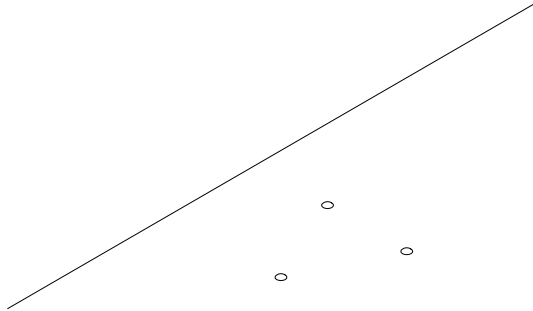
Structure: 5 Years | Finish: 1 Years

# INSTALLATION GUIDE - FLOOR MOUNTING

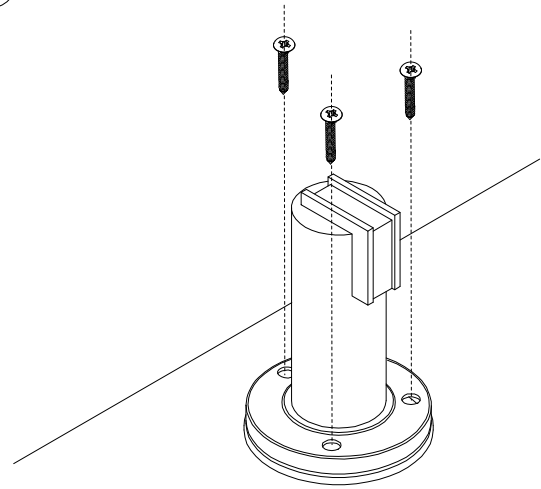
Note: This product must be installed by a licensed trade  
This is a general installation guide - there are many factors that are  
involved that can alter the installation method.



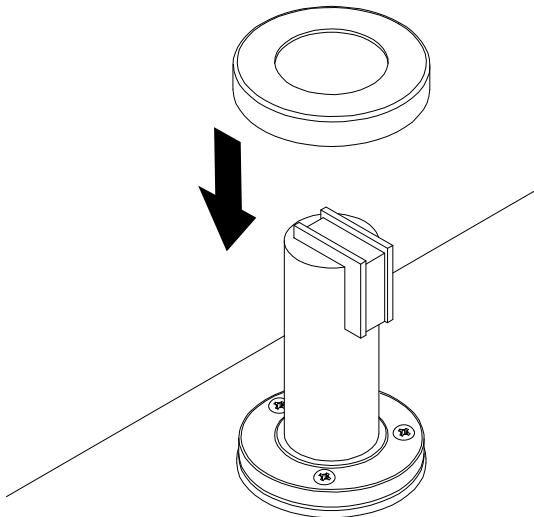
1 Mark out desired position for door stop in relation to door catch on door. Drill pilot holes into floor.



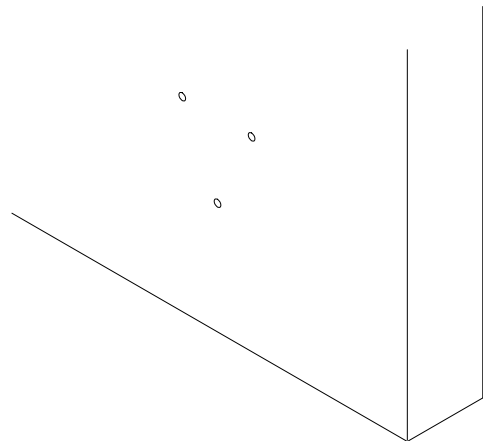
2 Fix stop to floor using fixings provided.



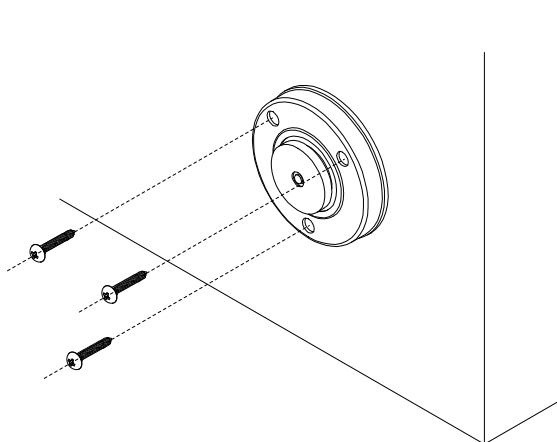
3 Mount backplate to door stop.



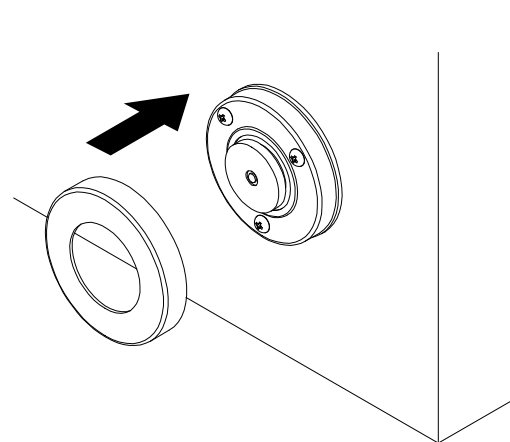
4 Mark out desired position for door catch in relation to door stop magnet on floor. Drill pilot holes into door.



5 Fix catch to door using fixings provided.



6 Mount backplate to door catch.

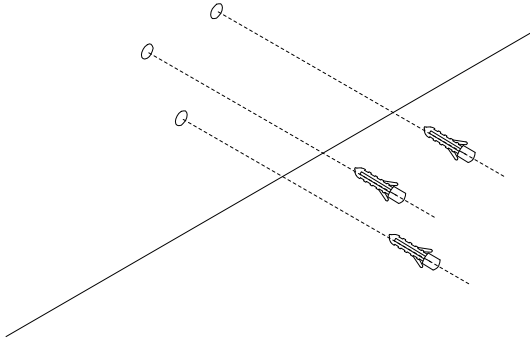


# INSTALLATION GUIDE - WALL MOUNTING

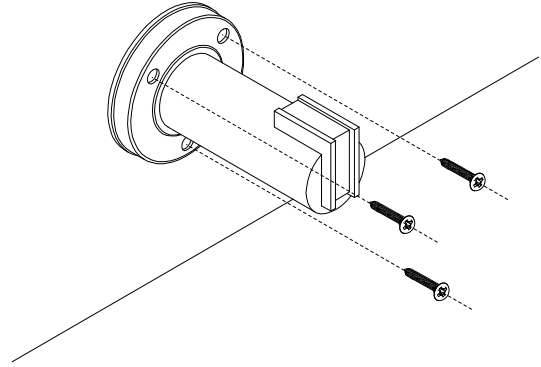
Note: This product must be installed by a licensed trade  
This is a general installation guide - there are many factors that are  
involved that can alter the installation method.



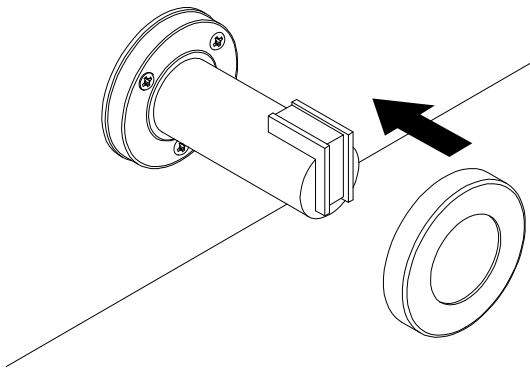
- 1 Mark out desired position for door stop in relation to door catch on door. Drill holes in desired position and insert wall plugs.



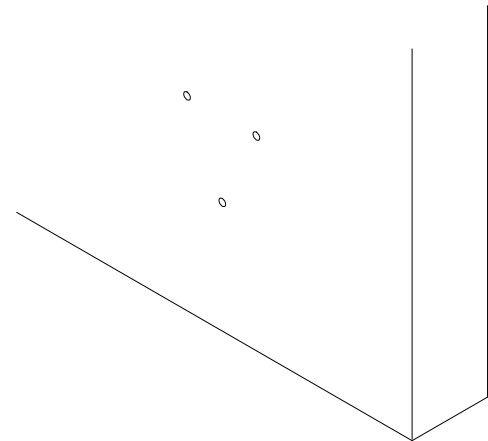
- 2 Fix stop to wall using fixings provided.



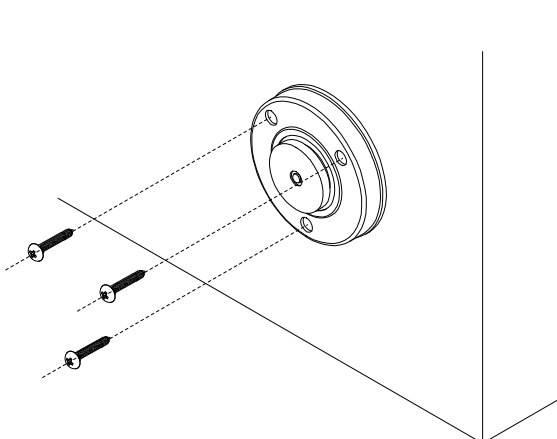
- 3 Mount backplate to door stop.



- 4 Mark out desired position for door catch in relation to door stop position on wall. Drill pilot holes into door.



- 5 Fix catch to door using fixings provided.



- 6 Mount backplate to door catch.

