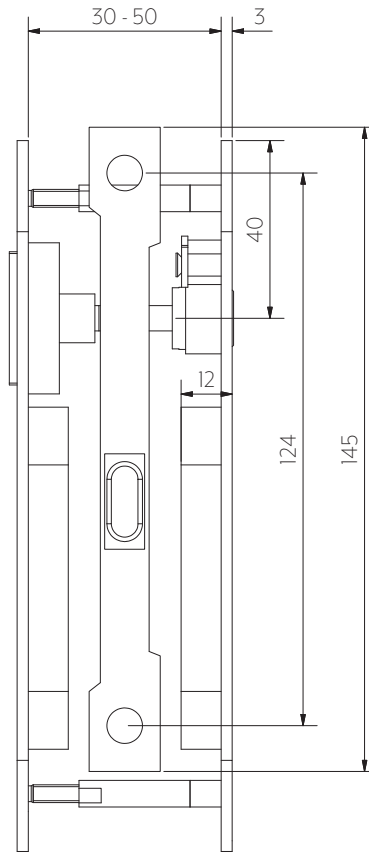
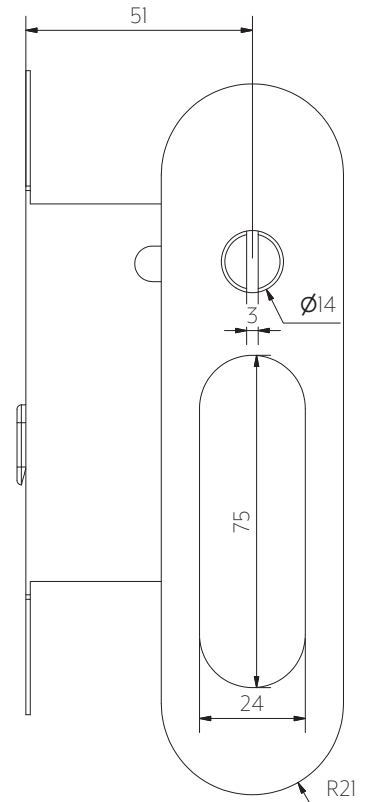


Internal Front View



Side View



External Front View

Designed for internal doors of thickness 30-50mm

**Note:** Dimensions are nominal measurements only

## SPECIFICATIONS

### RECOMMENDED USE

Domestic / Commercial

### MATERIAL

304 Stainless Steel

### FUNCTION

Privacy latch

### DIMENSION

160mm x 41mm

# INSTALLATION GUIDE

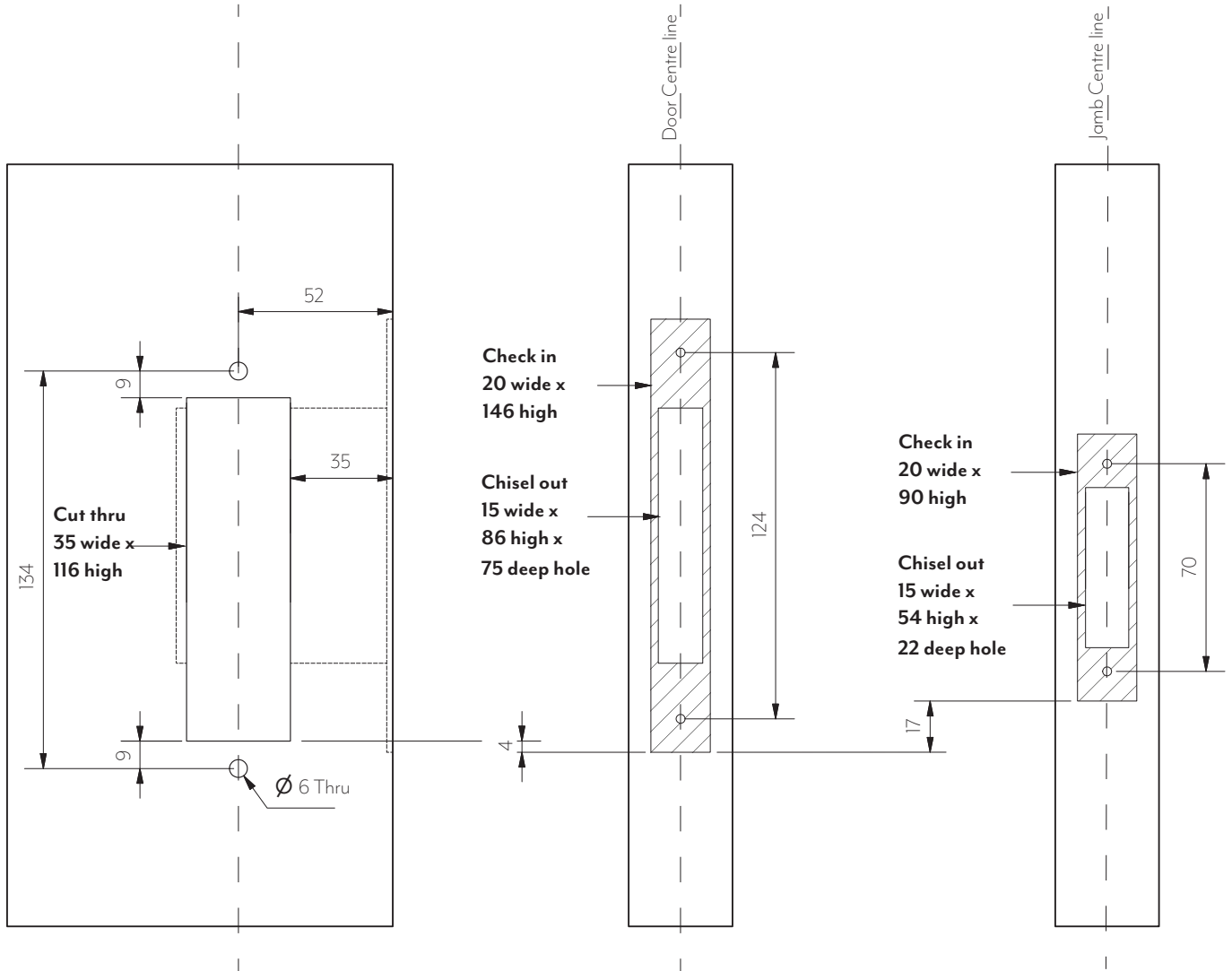
Note: This product must be installed by a licensed tradesperson.

This is a general installation guide - there are many factors that are involved that can alter the installation method.

This product install must comply with the standards in your respective country and must be adhered to by your licensed tradesperson.



## DOOR CUTTING GUIDE



Front View  
Door Cutting Guide

Side View  
Door Cutting Guide

Jamb  
Cutting Guide



Regularly clean with mild liquid detergent or soap and water.



DO NOT use cream cleaners or bleach. These substances are abrasive.



DO NOT use cleaning pads with abrasive surfaces as this may scratch the material.

# INSTALLATION GUIDE

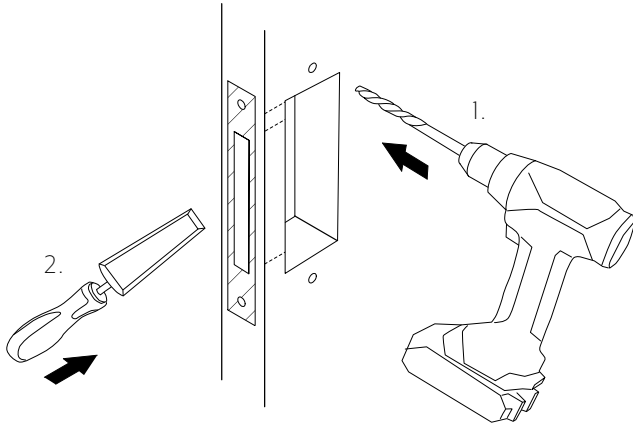
Note: This product must be installed by a licensed tradesperson.

This is a general installation guide - there are many factors that are involved that can alter the installation method.

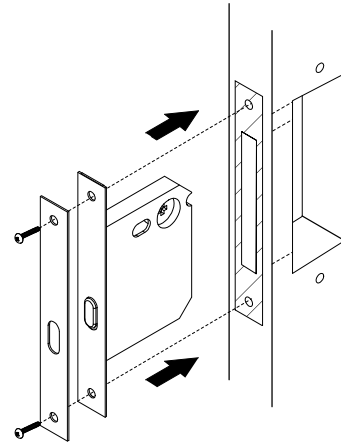
This product install must comply with the standards in your respective country and must be adhered to by your licensed tradesperson.



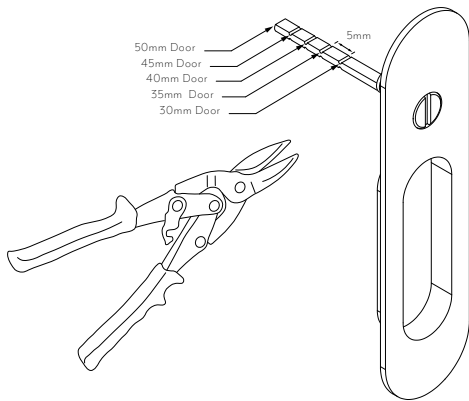
1. Using the cutting guide provided, check in and drill appropriate cavities.
2. Chisel out and check in prescribed sections into door as per cutting guide.



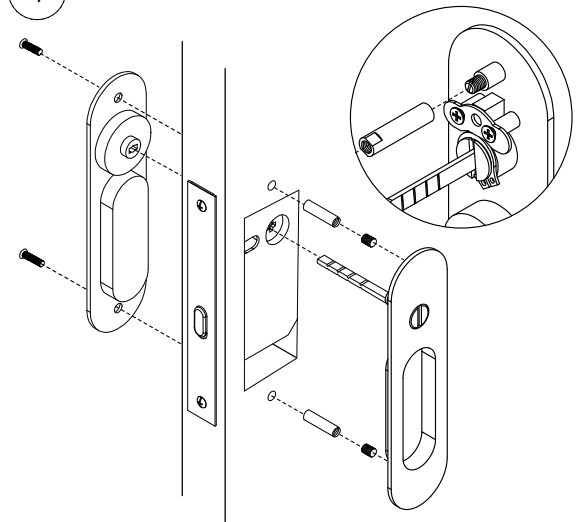
2. Install the latch and tall strike plate into prescribed hole.



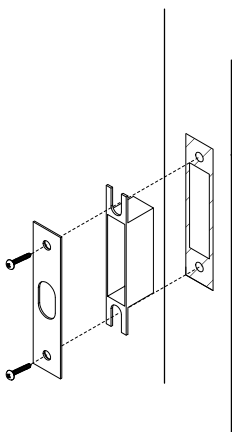
3. Adjust key lock extension by cutting with tin snips or hacksaw to suit door thickness (**suits 30 - 50 mm doors**)



4. Fix front and back panels to latch.



5. Check striker plate into jamb in relation to latch.



IN THE BOX			
	1x Short strike plate		
	1x Tall strike plate		
	1x Strike insert		2x Grub screws
	2x Privacy lock bolt		2x Connection screws
	4x Cover plate screws		



Regularly clean with mild liquid detergent or soap and water.



DO NOT use cream cleaners or bleach. These substances are abrasive.



DO NOT use cleaning pads with abrasive surfaces as this may scratch the material.