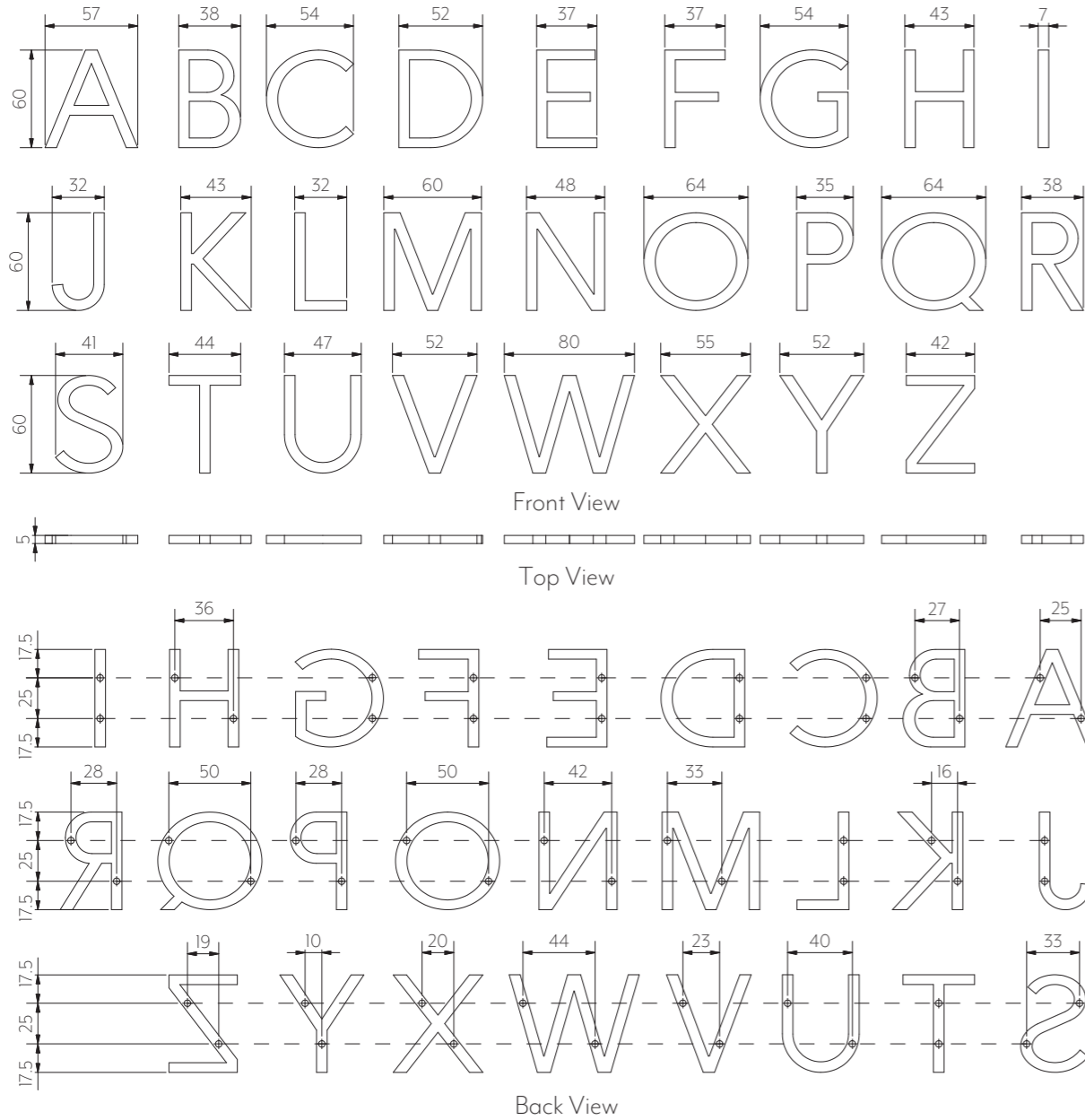




LETTER SIGNAGE



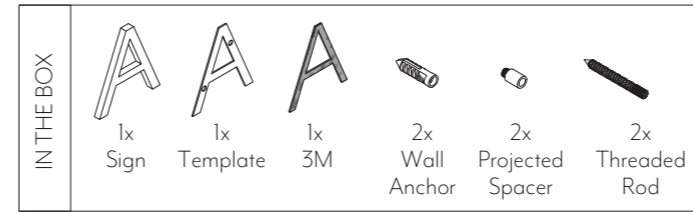
Note: Dimensions are nominal measurements only

SPECIFICATIONS	
RECOMMENDED USE	Domestic/Commercial
MATERIAL	Stainless Steel 316
FIXING METHOD	Flush or Projected Spacer

Disclaimer: Products in this specification manual must by regulation be installed by licensed and registered trade people. The manufacturer/distributor reserves the right to vary specifications or delete models from their range without prior notification. Dimensions are nominal measurements only. Dimensions and set-outs listed are correct at time of publication however the manufacturer/distributor takes no responsibility for printing errors. All ABI Products are designed in Australia. Copyright ABI Interiors Pty Ltd 2021.

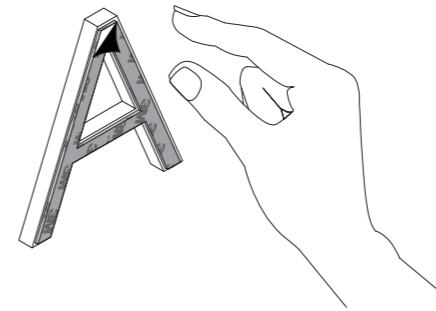
INSTALLATION GUIDE

This is a general installation guide - there are many factors that are involved that can alter the installation method. This product install must comply with the standards in your respective country and must be adhered to by your licensed tradesperson.

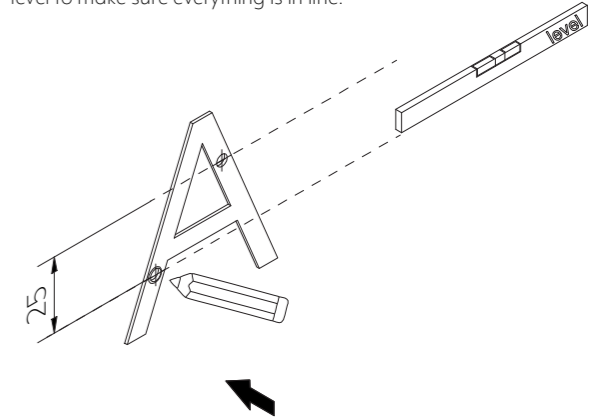


Each item of ABI signage comes with two fixing options.*
 1. A cut to size, double sided 3M adhesive for flush mounting.
 2. A projected spacer option, which projects the sign 8mm from the finish wall.
 *If fixing through a door is desired, a standard M4 bolt can be purchased from your local hardware store in the appropriate length.

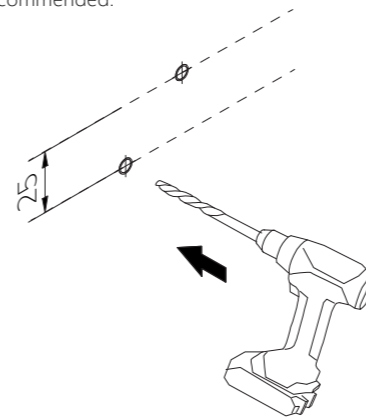
- 1 Prepare the surface of your finish wall. Use appropriate cleaning materials for your wall surface, removing all debris and oils. Remove one side of the tape and apply 3M adhesive to the back of the sign, covering the screw holes. Remove other side of 3M tape and press sign to the wall in desired position



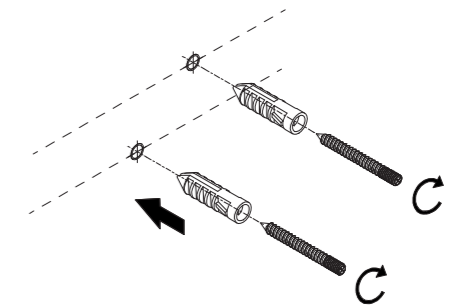
- 2 For projected spacer install. First use the clear template to mark out where you would like your signage, line up the fixing holes and use a level to make sure everything is in line.



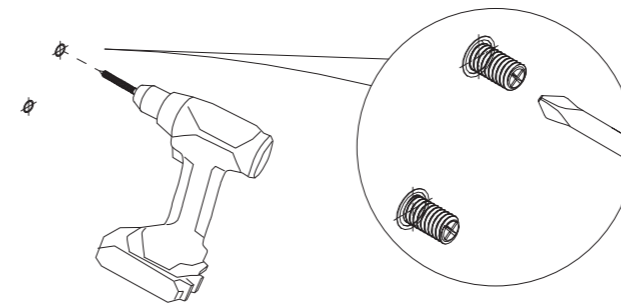
- 3 Predrill marked out holes. Wall anchors can be used if wall structure requires it. Fixing into timber structure without anchors is recommended.



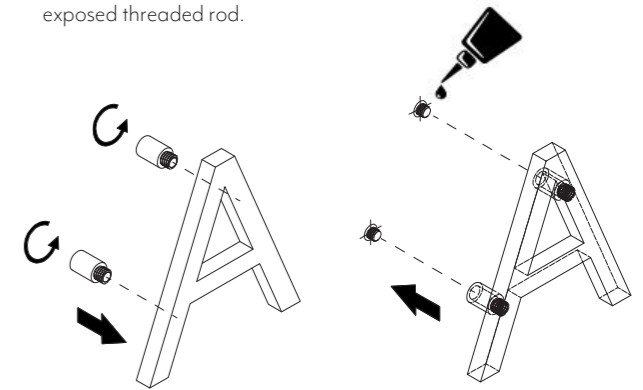
- 4 If required insert wall anchors into predrilled holes and screw threaded rods into the anchors leaving approx. 6mm of the rod protruding from the wall.



- 5 For easy install place threaded rod into drill. Where the thread changes marks approx 6mm. Drill the rod straight into the sub-straight or anchors and undo the chuck leaving the rod protruding from the wall 6mm. Minor adjustments can be made with a small phillips head screwdriver.



- 6 a. Screw spacers into the back of signage.
 b. Using epoxy adhesive or similar, glue the spacers to the end of the exposed threaded rod.



Regularly clean with mild liquid detergent or soap and water



DO NOT use cream cleaners or bleach. These substances are abrasive



DO NOT use cleaning pads with abrasive surfaces as this may scratch the material