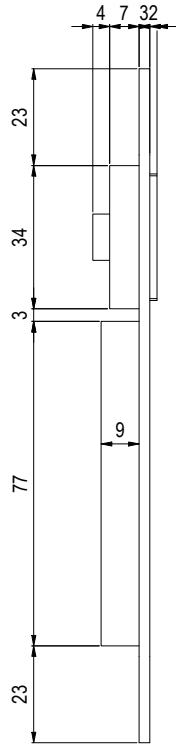
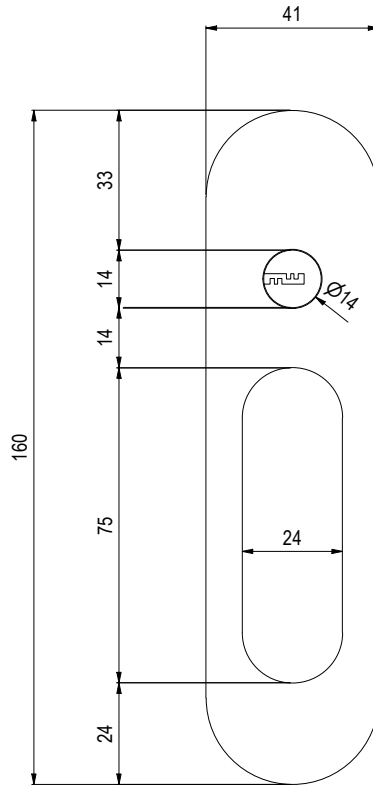


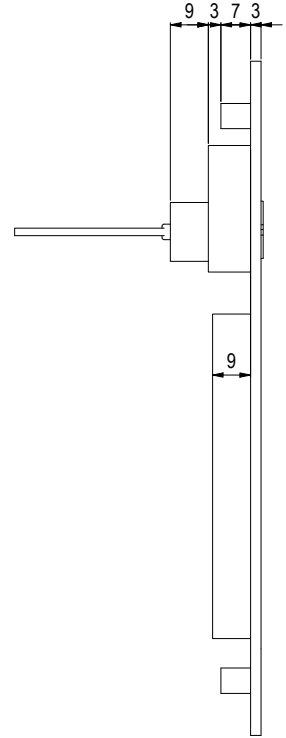
Internal Privacy Lock
Front View



Internal Privacy Lock
Side View



External Privacy Lock
Front View



External Privacy Lock
Side View

Note: Dimensions are nominal measurements only

SPECIFICATIONS

RECOMMENDED USE

Domestic / Commercial

MATERIAL

304 Stainless Steel

FUNCTION

Lock

DIMENSION

160mm x 41mm

WARRANTY

Structure: 5 Years | Finish: 2 Years

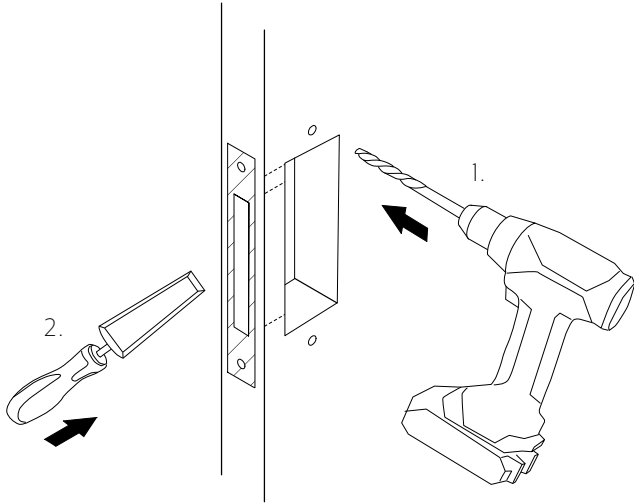
INSTALLATION GUIDE

Note: This product must be installed by a licensed tradesperson.
This is a general installation guide - there are many factors that are involved that can alter the installation method.

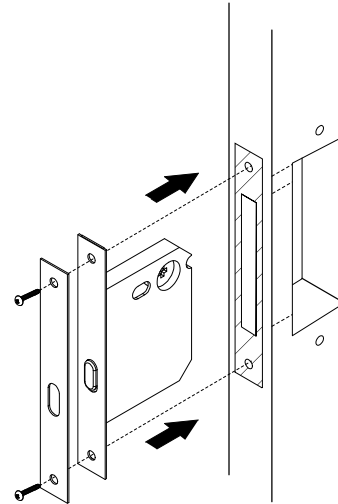


1 1. Drill prescribed holes/ recess into door face as per door cutting guide.

2. Chisel out and check in prescribed sections into door as per cutting guide.



2 Install the latch into prescribed hole.

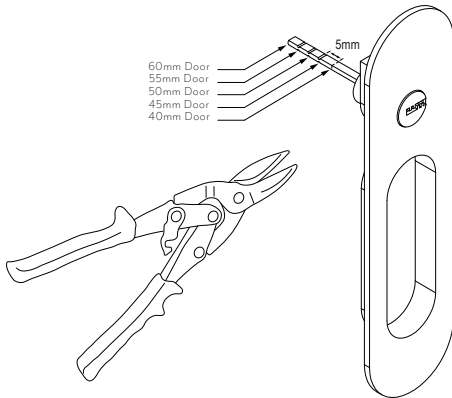


3 Adjust key lock extension by cutting with tin snips or hacksaw to suit door thickness.*

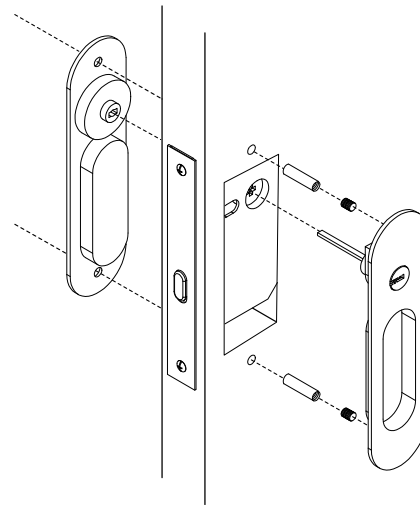
*Standard **Australian** internal door thickness = **35mm**

(Not Suitable)

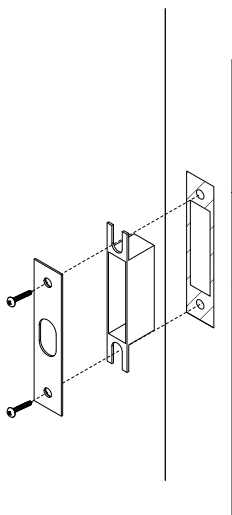
*Standard **New Zealand** internal door thickness = **40mm**



4 Fix front and back panels to latch.



4 Check striker plate into jamb in relation to latch.



IN THE BOX			
2x Privacy Lock Screws			1x Strike Insert
4x Cover Plate Screws			1x Short Strike Plate
2x Grub Screws			2x Connection Screws
2x Connection Screws			1x Tall Strike Plate
3x Keys			1x Latch
			1x Internal Lock

DOOR CUTTING GUIDE

