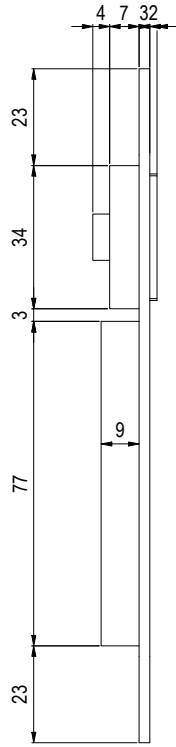
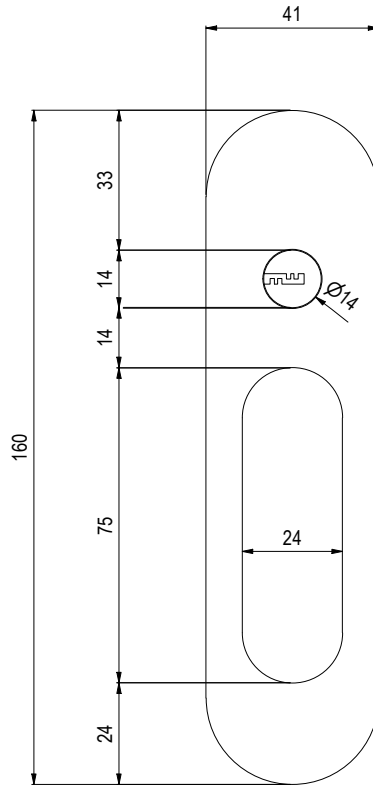


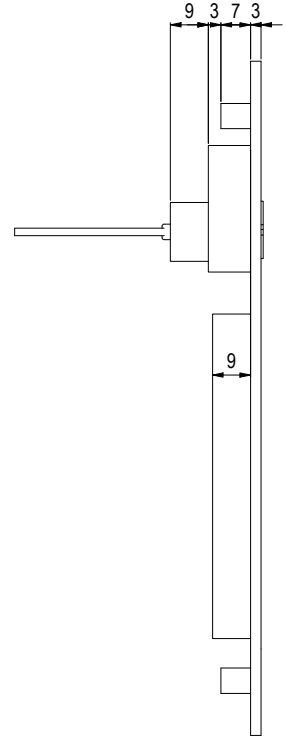
Internal Privacy Lock  
Front View



Internal Privacy Lock  
Side View



External Privacy Lock  
Front View



External Privacy Lock  
Side View

**Note:** Dimensions are nominal measurements only

Designed for external doors of thickness 40-60mm  
Not suitable for Australian standard internal doors.

## SPECIFICATIONS

### RECOMMENDED USE

Domestic / Commercial

### MATERIAL

304 Stainless Steel

### FUNCTION

Lock

### DIMENSION

160mm x 41mm

### WARRANTY

Structure: 5 Years | Finish: 2 Years

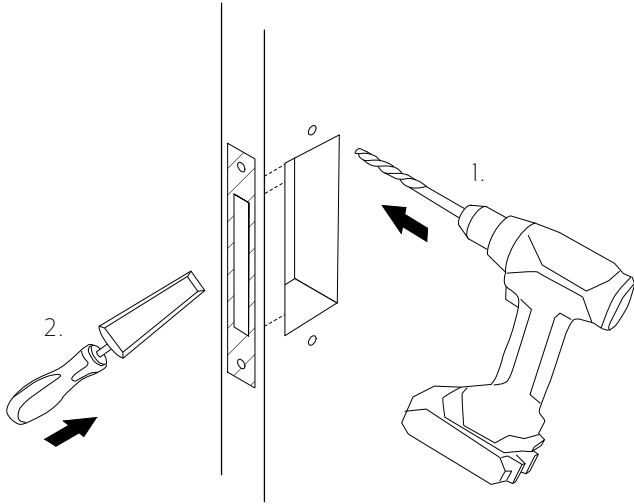
# INSTALLATION GUIDE

Note: This product must be installed by a licensed tradesperson.  
This is a general installation guide - there are many factors that are involved that can alter the installation method.

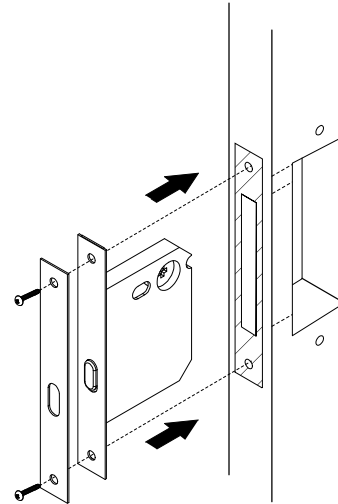


**1** 1. Drill prescribed holes/ recess into door face as per door cutting guide.

2. Chisel out and check in prescribed sections into door as per cutting guide.



**2** Install the latch into prescribed hole.

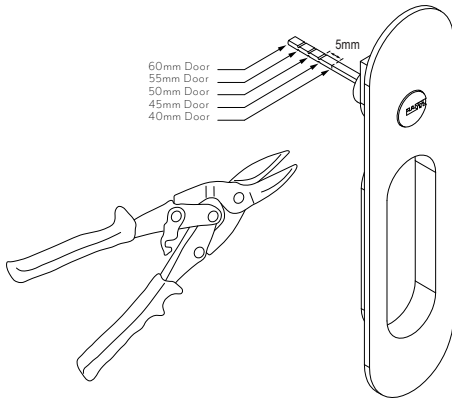


**3** Adjust key lock extension by cutting with tin snips or hacksaw to suit door thickness.\*

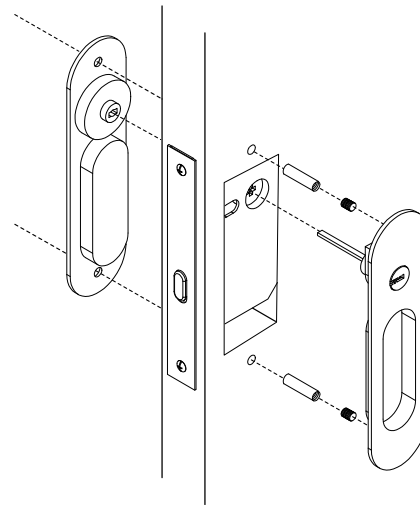
\*Standard **Australian** internal door thickness = **35mm**

**(Not Suitable)**

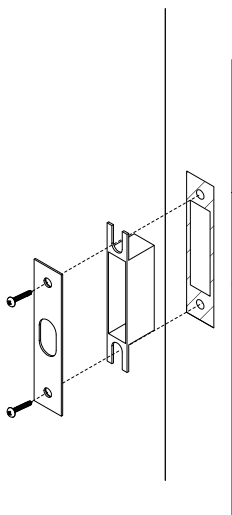
\*Standard **New Zealand** internal door thickness = **40mm**



**4** Fix front and back panels to latch.



**4** Check striker plate into jamb in relation to latch.



IN THE BOX	2x Privacy Lock Screws			1x Strike Insert	
	4x Cover Plate Screws			1x Short Strike Plate	1x Key Lock
	2x Grub Screws			1x Tall Strike Plate	1x Internal Lock
	2x Connection Screws			1x Latch	
	3x Keys				

# DOOR CUTTING GUIDE

