

Internal Privacy Lock Front View

Internal Privacy Lock Side View

External Privacy Lock Front View

External Privacy Lock Side View

Designed for external doors of thickness 45-60mm
Not suitable for Australian standard internal doors.

Note: Dimensions are nominal measurements only

SPECIFICATIONS

RECOMMENDED USE

Domestic / Commercial

MATERIAL

304 Stainless Steel

FUNCTION

Lock

DIMENSION

160mm x 41mm

Disclaimer: Products in this specification manual must by regulation be installed by licensed and registered trade people. The manufacturer/distributor reserves the right to vary specifications or delete models from their range without prior notification. Dimensions and set-outs listed are correct at time of publication however the manufacturer/distributor takes no responsibility for printing errors. All ABI Products are designed in Australia. Copyright ABI Interiors Pty Ltd 2021.

INSTALLATION GUIDE

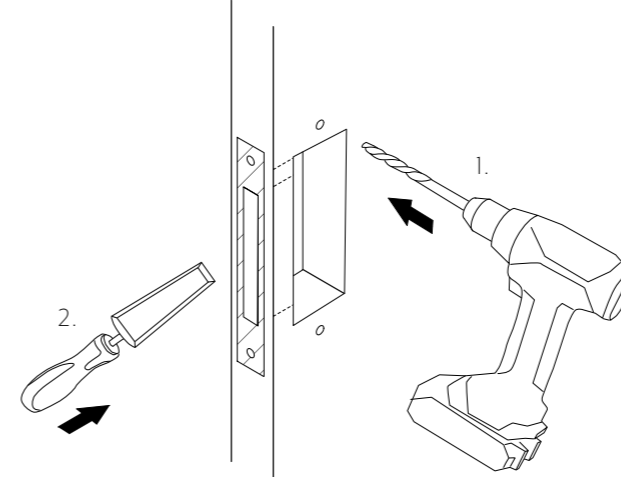
Note: This product must be installed by a licensed tradesperson.

This is a general installation guide - there are many factors that are involved that can alter the installation method.

This product install must comply with the standards in your respective country and must be adhered to by your licensed tradesperson.

1. Drill prescribed holes/ recess into door face as per door cutting guide.
2. Install the latch into prescribed hole.

2. Chisel out and check in prescribed sections into door as per cutting guide.

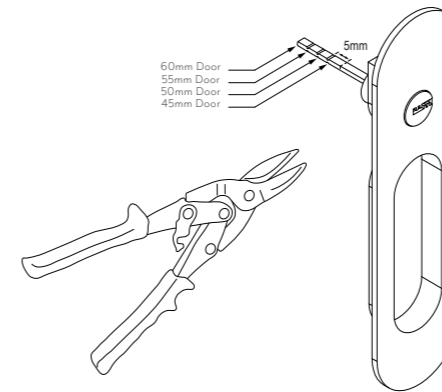


3. Adjust key lock extension by cutting with tin snips or hacksaw to suit door thickness.*

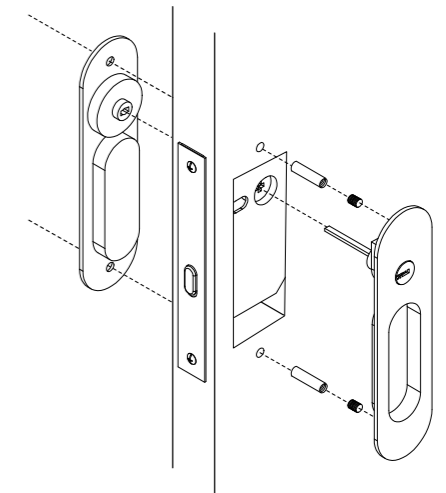
*Standard **Australian** internal door thickness = **35mm**

(Not Suitable)

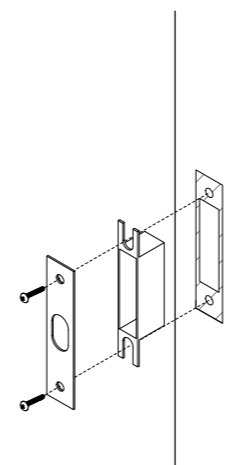
*Standard **New Zealand** internal door thickness = **45mm**



4. Fix front and back panels to latch.



5. Check striker plate into jamb in relation to latch.



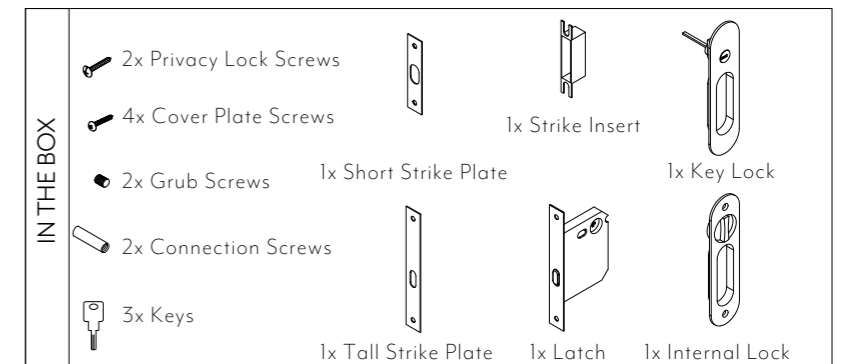
Regularly clean with mild liquid detergent or soap and water.



DO NOT use cream cleaners or bleach. These substances are abrasive.



DO NOT use cleaning pads with abrasive surfaces as this may scratch the material.



INSTALLATION GUIDE

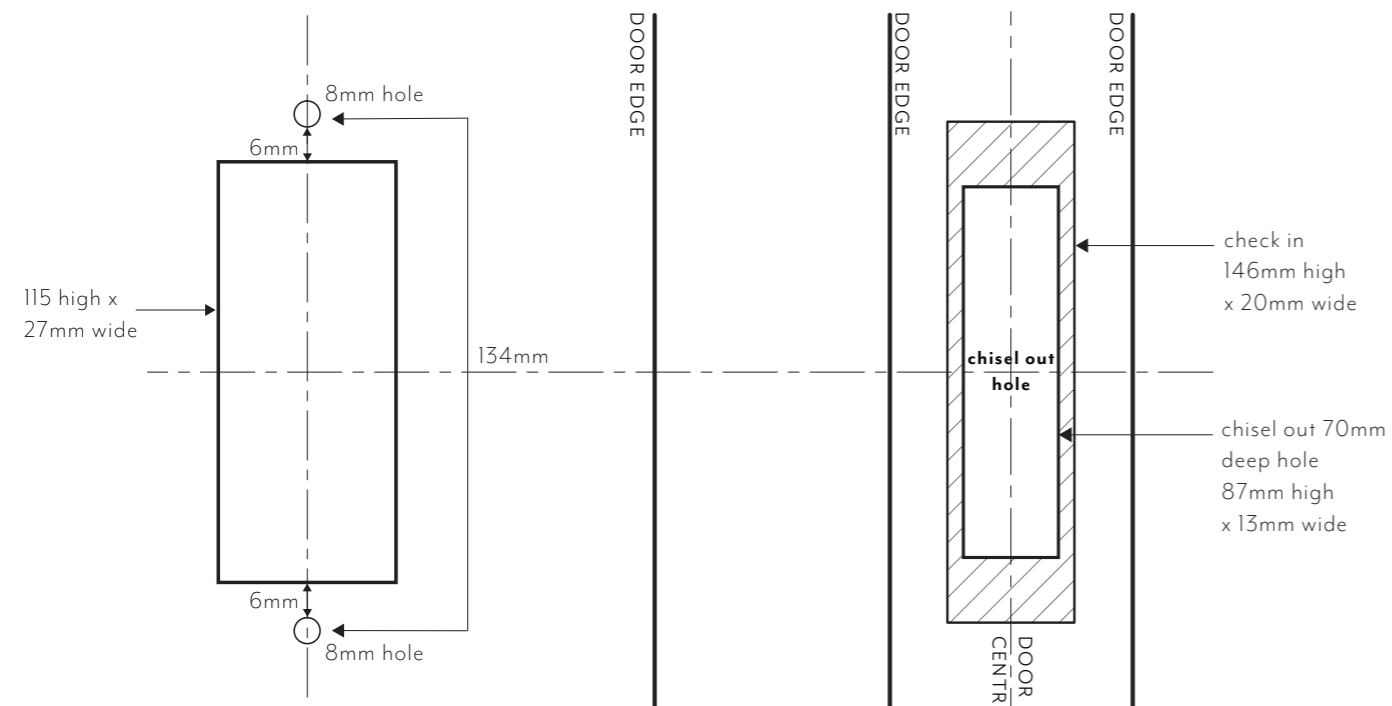
Note: This product must be installed by a licensed tradesperson.

This is a general installation guide - there are many factors that are involved that can alter the installation method.

This product install must comply with the standards in your respective country and must be adhered to by your licensed tradesperson.



DOOR CUTTING GUIDE



Regularly clean with mild liquid detergent or soap and water.



DO NOT use cream cleaners or bleach. These substances are abrasive.



DO NOT use cleaning pads with abrasive surfaces as this may scratch the material.