

Designed for internal doors of thickness 45-60mm.  
Not suitable for Australian or New Zealand standard internal doors.

**Note:** Dimensions are nominal measurements only

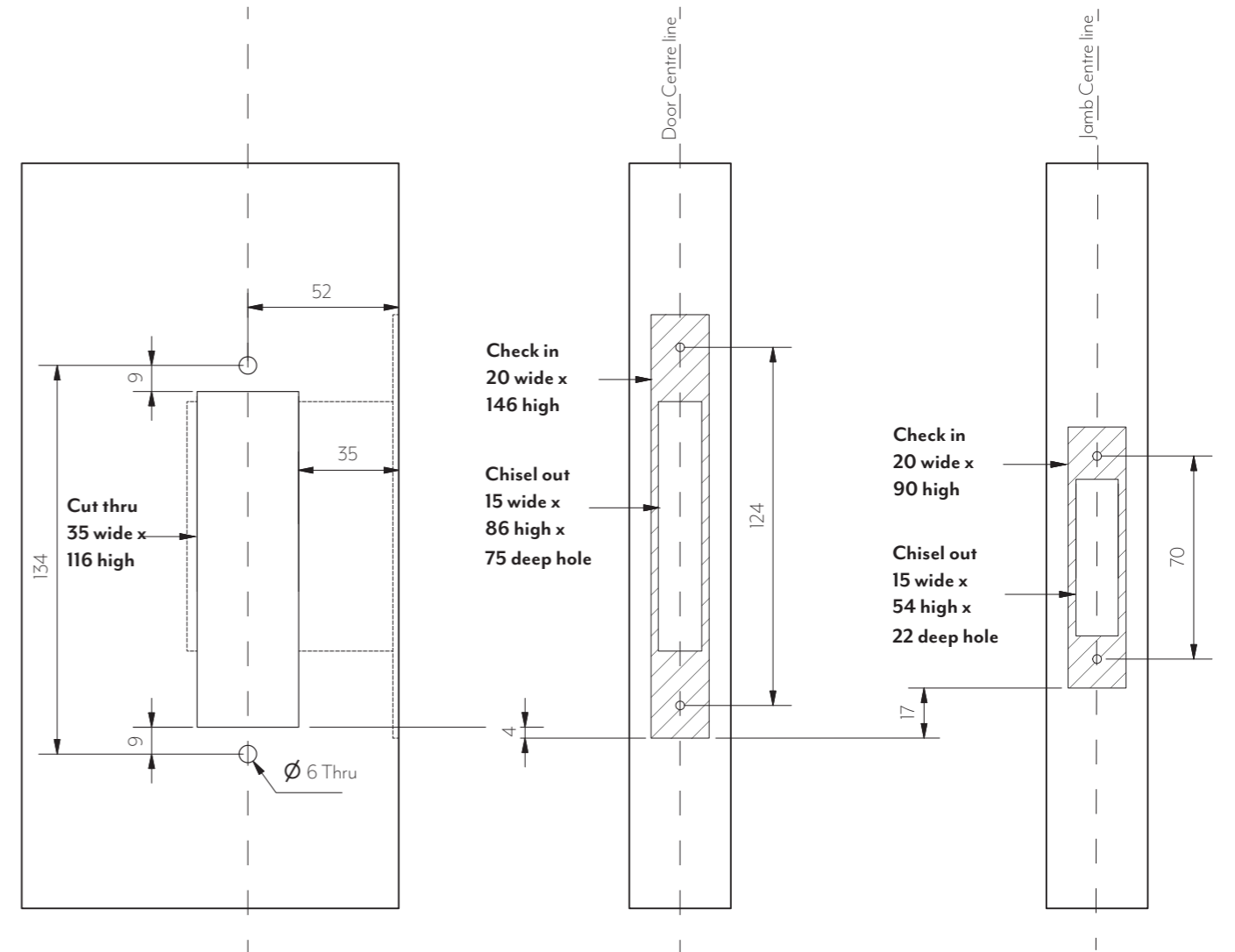
SPECIFICATIONS	
RECOMMENDED USE	Domestic / Commercial
MATERIAL	304 Stainless Steel
FUNCTION	Lock
DIMENSION	160mm x 41mm

Disclaimer: Products in this specification manual must by regulation be installed by licensed and registered trade people. The manufacturer/distributor reserves the right to vary specifications or delete models from their range without prior notification. Dimensions are nominal measurements only. Dimensions and set-outs listed are correct at time of publication however the manufacturer/distributor takes no responsibility for printing errors. All ABI Products are designed in Australia. Copyright ABI Interiors Pty Ltd 2021.

## INSTALLATION GUIDE

Note: This product must be installed by a licensed tradesperson.  
This is a general installation guide - there are many factors that are involved that can alter the installation method.  
This product install must comply with the standards in your respective country and must be adhered to by your licensed tradesperson.

## DOOR CUTTING GUIDE



Front View  
Door Cutting Guide

Side View  
Door Cutting Guide

Jamb  
Cutting Guide



Regularly clean with mild liquid detergent or soap and water.



DO NOT use cream cleaners or bleach. These substances are abrasive.



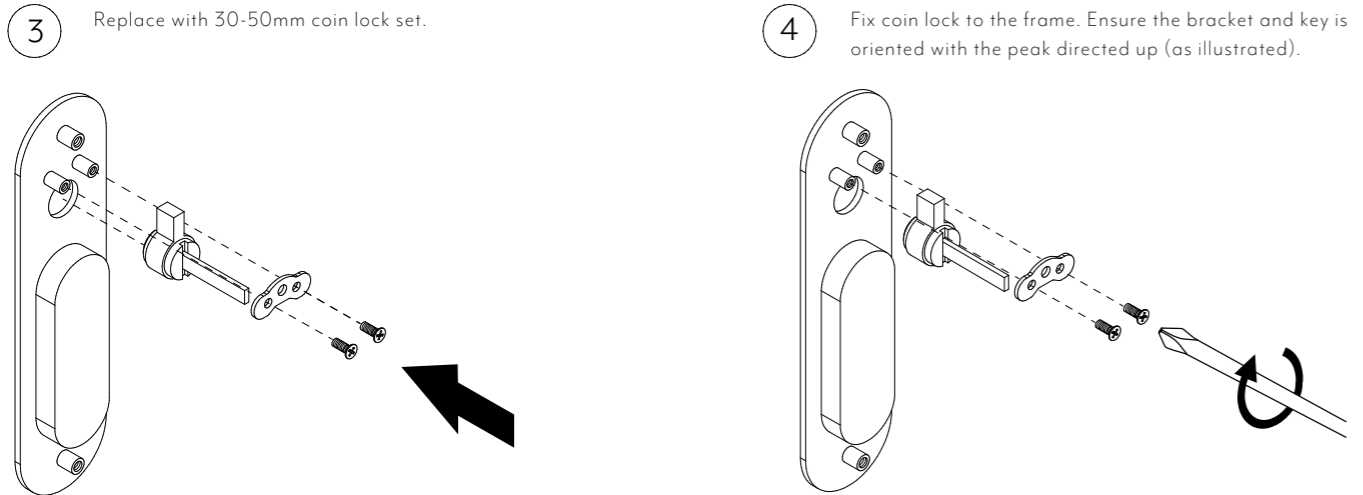
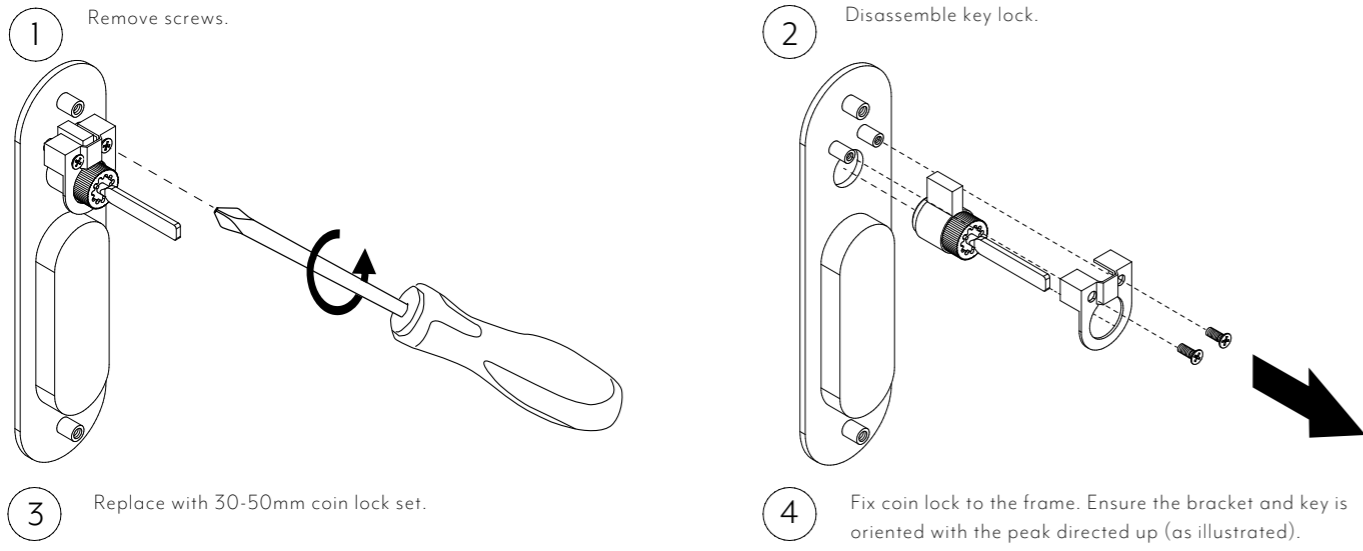
DO NOT use cleaning pads with abrasive surfaces as this may scratch the material.

# INSTALLATION GUIDE

Note: This product must be installed by a licensed tradesperson.  
 This is a general installation guide - there are many factors that are involved that can alter the installation method.  
 This product install must comply with the standards in your respective country and must be adhered to by your licensed tradesperson.



## COIN LOCK INSTALLATION GUIDE



5 Adjust coin lock extension by cutting with tin snips or hacksaw to suit door thickness. **(suits 30 - 50 mm doors)**

**Note:** The 16mm screw option is required (supplied with 30-50mm coin lock set) in order to suit a 35mm Australian standard door.



- IN THE BOX**
- 1x Coin lock
  - 1x Coin lock
  - 2x 16mm bolt
  - 2x 4mm bolt

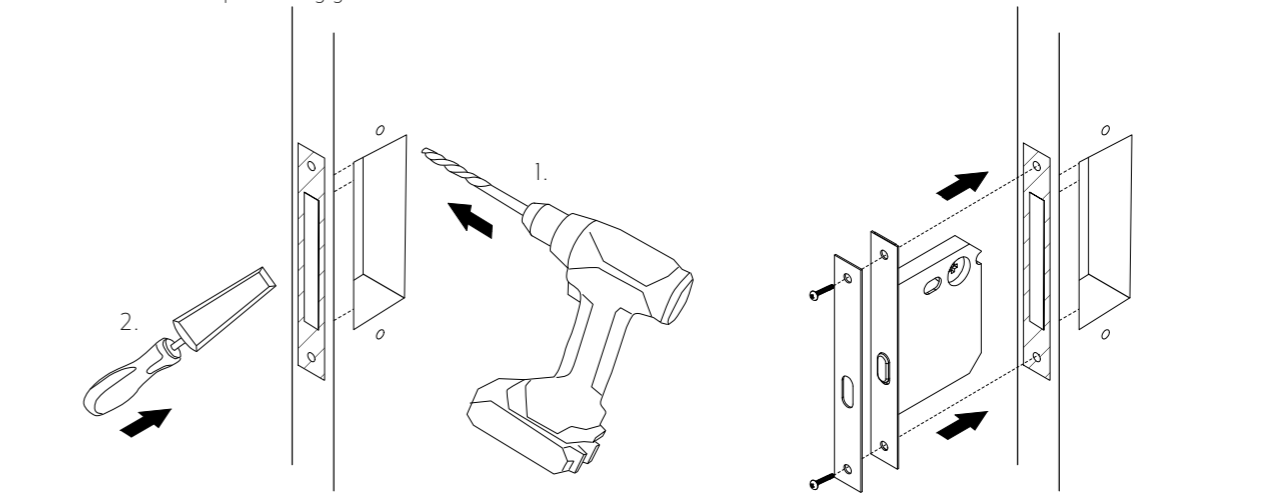
Regularly clean with mild liquid detergent or soap and water.

DO NOT use cream cleaners or bleach. These substances are abrasive.

DO NOT use cleaning pads with abrasive surfaces as this may scratch the material.

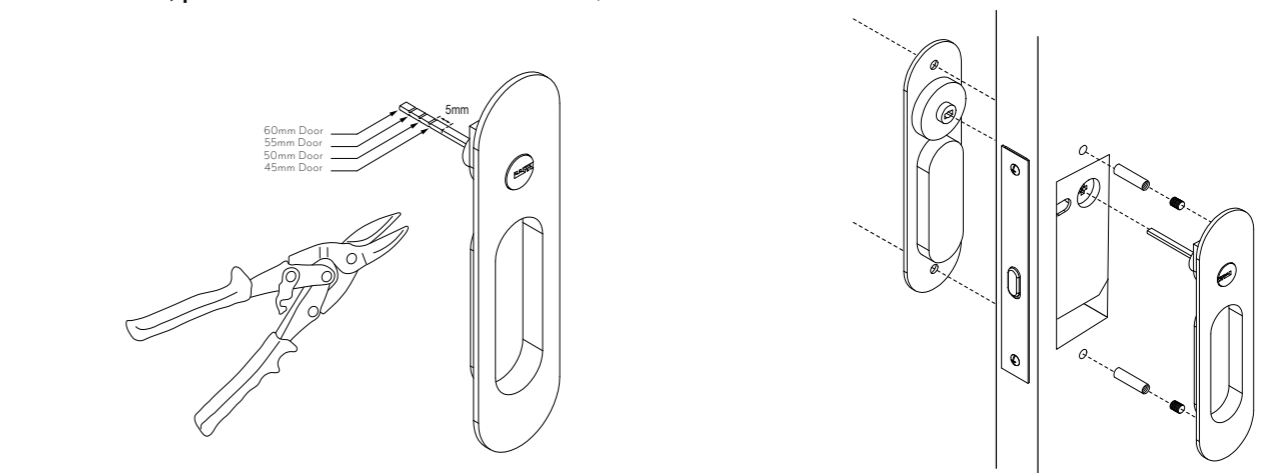
# INSTALLATION GUIDE

Note: This product must be installed by a licensed tradesperson.  
 This is a general installation guide - there are many factors that are involved that can alter the installation method.  
 This product install must comply with the standards in your respective country and must be adhered to by your licensed tradesperson.

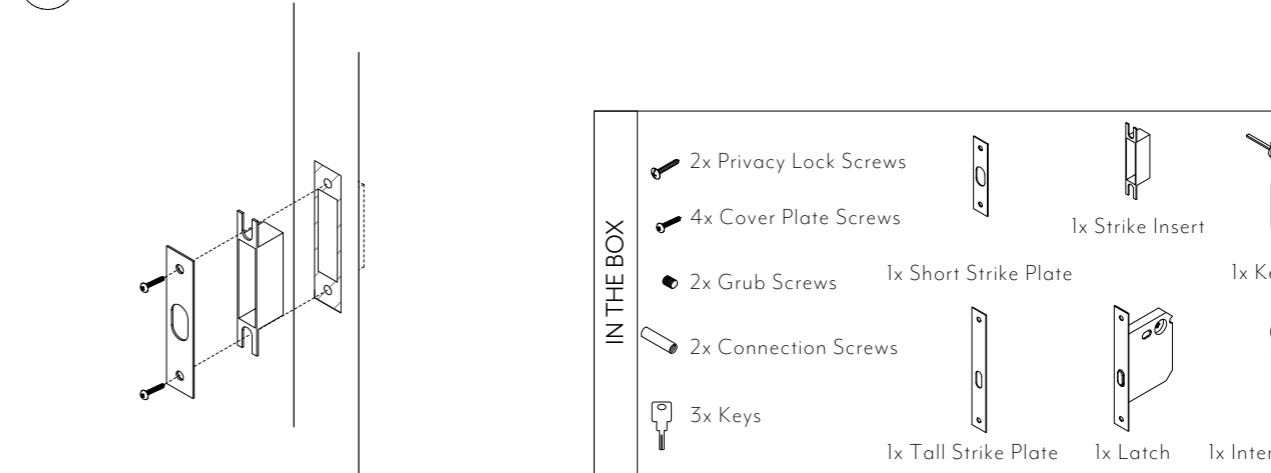


3 Adjust key lock extension by cutting with tin snips or hacksaw to suit door thickness **(this product is designed for 45-60mm doors, please ensure door thickness is suitable).**

4 Fix front and back panels to latch.



5 Check striker plate into jamb in relation to latch.



Regularly clean with mild liquid detergent or soap and water.

DO NOT use cream cleaners or bleach. These substances are abrasive.

DO NOT use cleaning pads with abrasive surfaces as this may scratch the material.

- IN THE BOX**
- 2x Privacy Lock Screws
  - 4x Cover Plate Screws
  - 2x Grub Screws
  - 2x Connection Screws
  - 3x Keys
  - 1x Strike Insert
  - 1x Short Strike Plate
  - 1x Tall Strike Plate
  - 1x Latch
  - 1x Internal Lock
  - 1x Key Lock