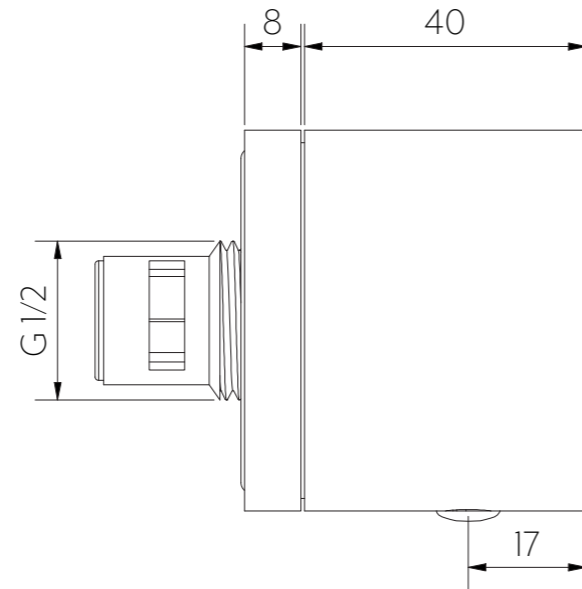


Front View



Side View

Note: Dimensions are nominal measurements only

SPECIFICATIONS

RECOMMENDED USE

Domestic

MATERIAL

Solid Brass

PRESSURE RATING

Recommended minimum working pressure 0.2 Bar
Recommended maximum working pressure 5 Bar
Hot and cold water inlet pressure should be equal

TEMPERATURE RATING

Maximum continuous working temperature 75°C
If the water temperature exceeds 75°C, an approved tempering valve must be fitted

SUITABLE HOT WATER UNITS

Storage tank: Yes
Continuous Flow: Yes
Gravity Feed: Suitable

Disclaimer: Products in this manual must by law be installed by licensed and registered tradespeople in accordance with the relevant standards. ABI and the manufacturer/distributor reserve the right to vary specifications or delete models from their range without prior notification. Dimensions are nominal measurements only. The information listed is correct at the time of publication, however ABI and the manufacturer/distributor takes no responsibility for printing errors. Copyright © ABI Interiors 2021.

INSTALLATION GUIDE

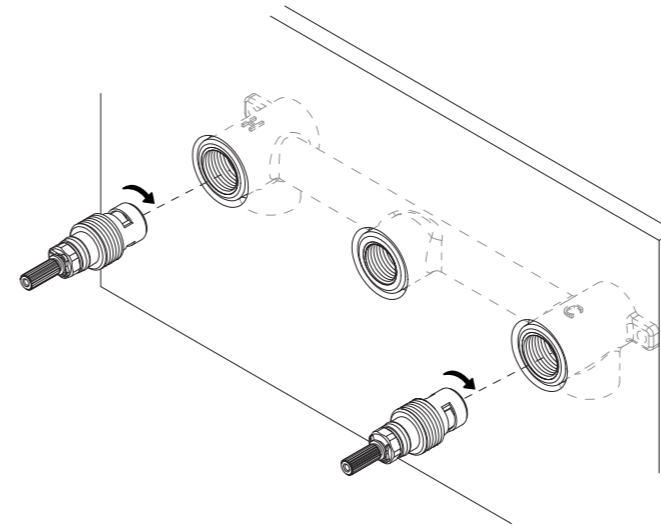
Note: This product must be installed by a licensed plumber.

This is a general installation guide - there are many factors that are involved that can alter the installation method. This product install must comply with AS/NZS 3500.

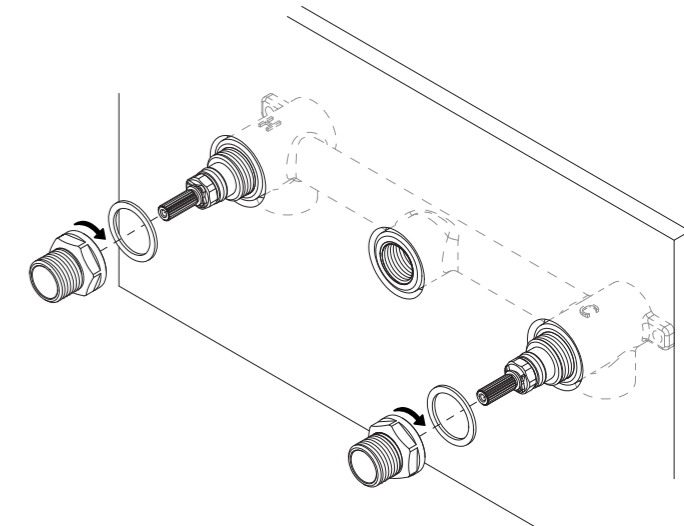
For installs outside Australia and New Zealand, the standards in your respective country must be adhered to by your licensed tradesperson.

New Build - Install breach in desired position (please refer to additional install information regarding breach set backs).

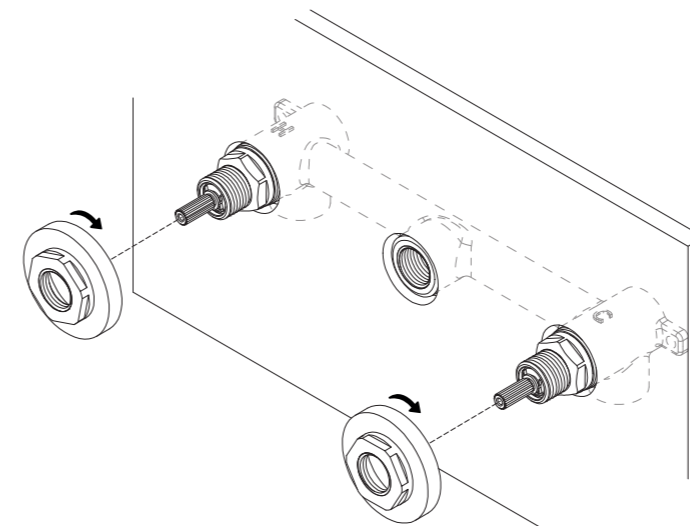
Retrofitting Existing - Remove existing tapware & reseal body seats until shiny and smooth.



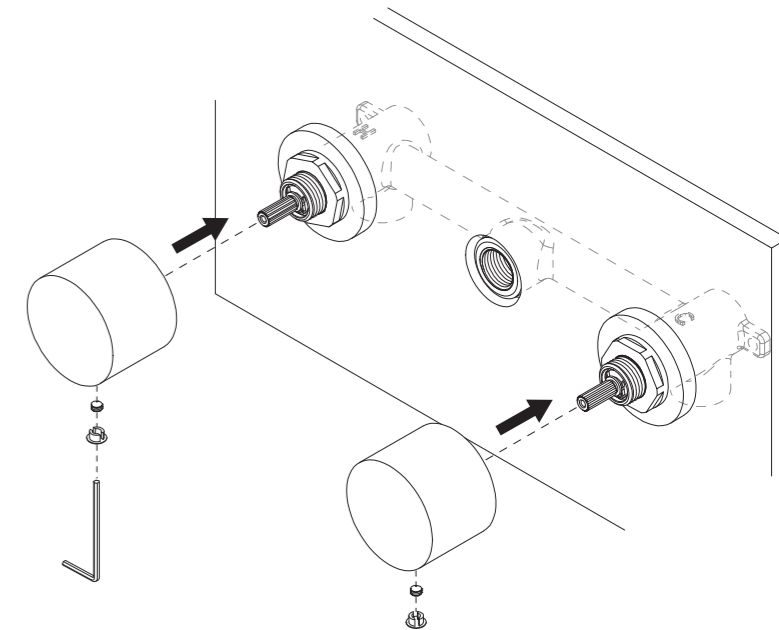
1 Remove locking nut from spindle. Screw spindle into breach and hand tighten until rear of spindle meets the body seat, be sure not to over tighten. If necessary apply more pressure lightly with spanner.



2 Fit the fibre washer over the spindle. Screw on the locking nut and tighten with spanner. **TEST AND CHECK FOR LEAKS.**



3 Install the handle body onto the locking nut, twisting by hand until tightened. Slide back plate over handle body until firmly pressed against finished wall surface.



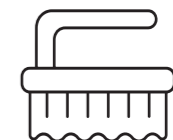
4 Install tap handle onto spindle and tighten in place using grub screw and allen key.



Regularly clean with mild liquid detergent or soap and water



DO NOT use cream cleaners or bleach. These substances are abrasive



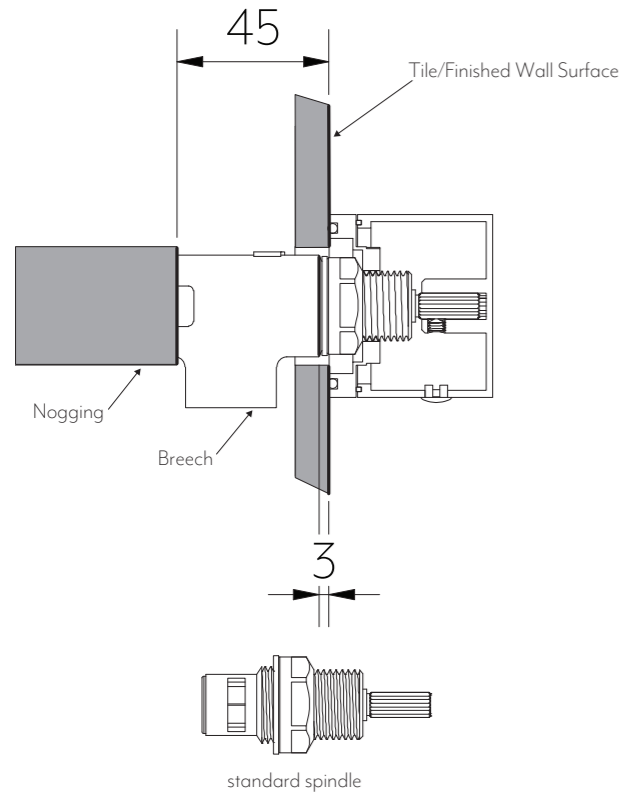
DO NOT use cleaning pads with abrasive surfaces as this may scratch the material

SET BACK GUIDE

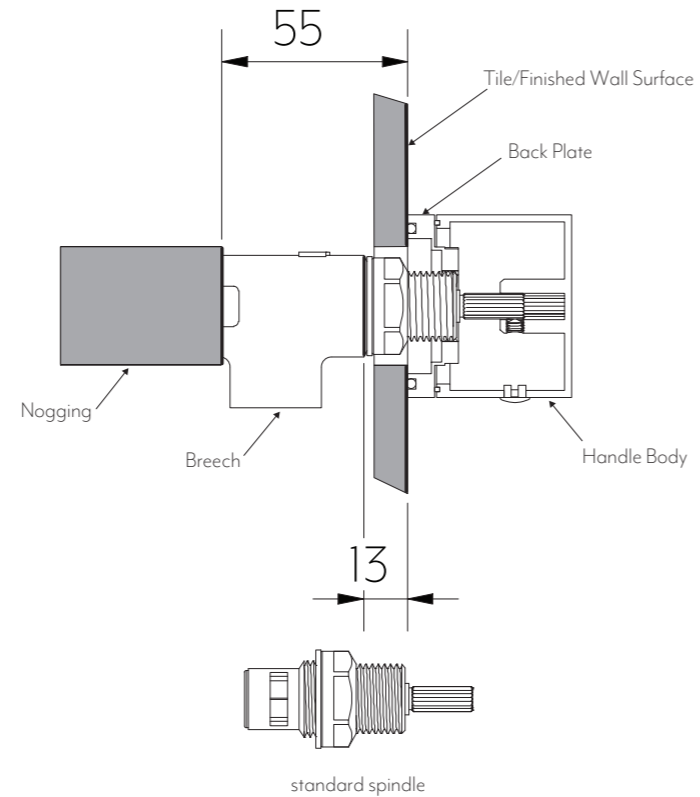
Note: This product must be installed by a licensed plumber.

The set back of the wall breach and distance of the nogging to tile or finished wall surface will dictate the necessary extension parts that will be required for install.

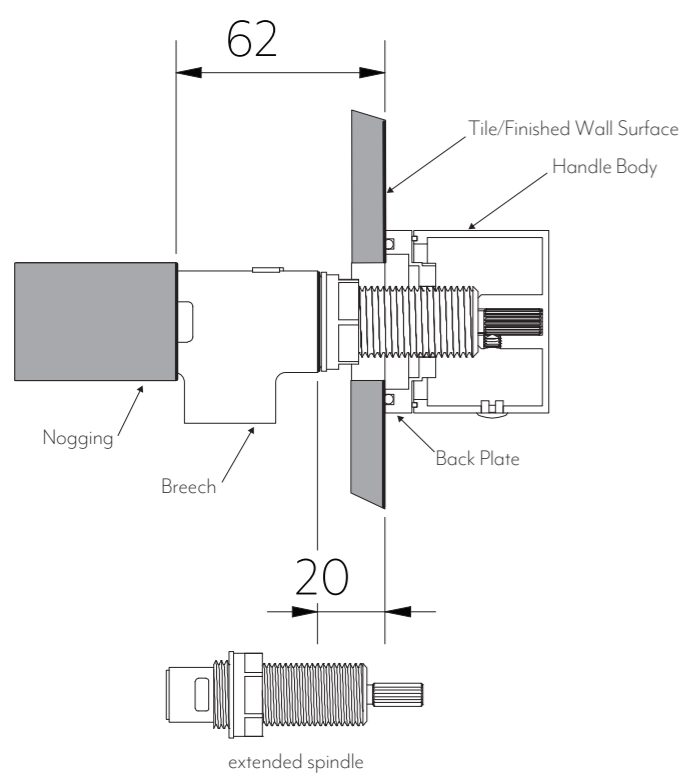
ABI



Minimum distance between nogging and finished wall surface is 45mm (or 3mm from in-wall breach to finished wall surface).



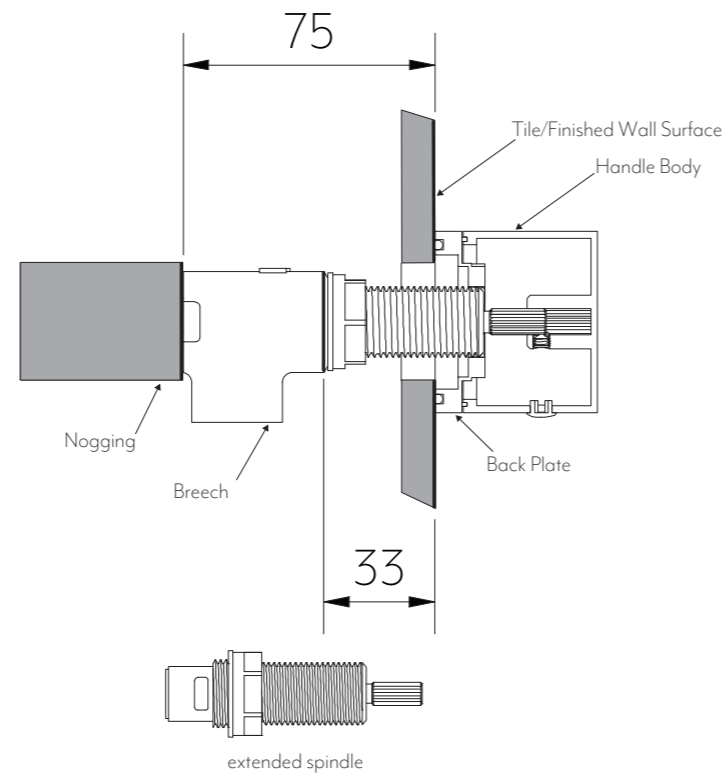
Maximum distance that can be achieved using a standard spindle between finished wall surface and nogging is 55mm (or 13mm from in-wall breach to finished wall surface).



For installations when distance between nogging and finished wall surface is 62mm or more (20mm from in-wall breach to finished wall surface), an extended spindle is required (available for additional purchase).

Note: ABI offers additional parts for non-standard installs.

Contact our team at aftersales@abi-international.com.au for assistance.



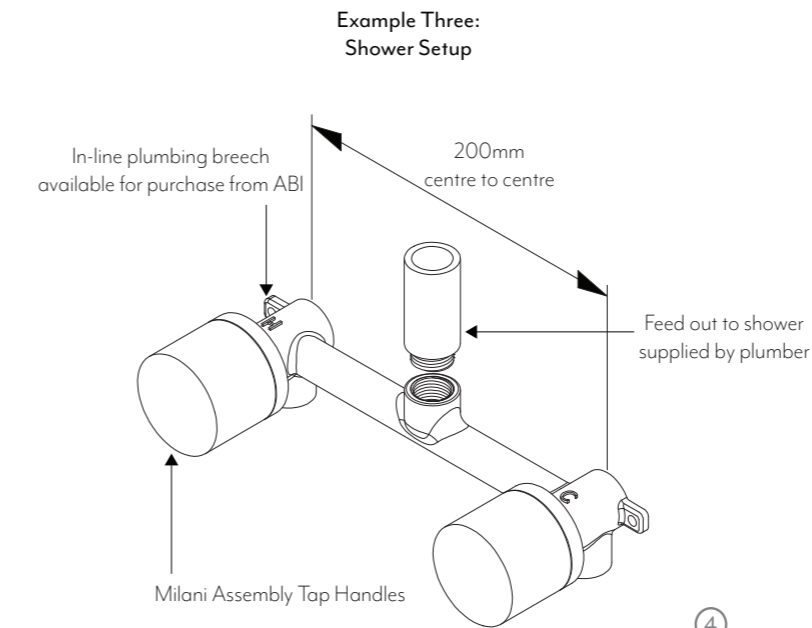
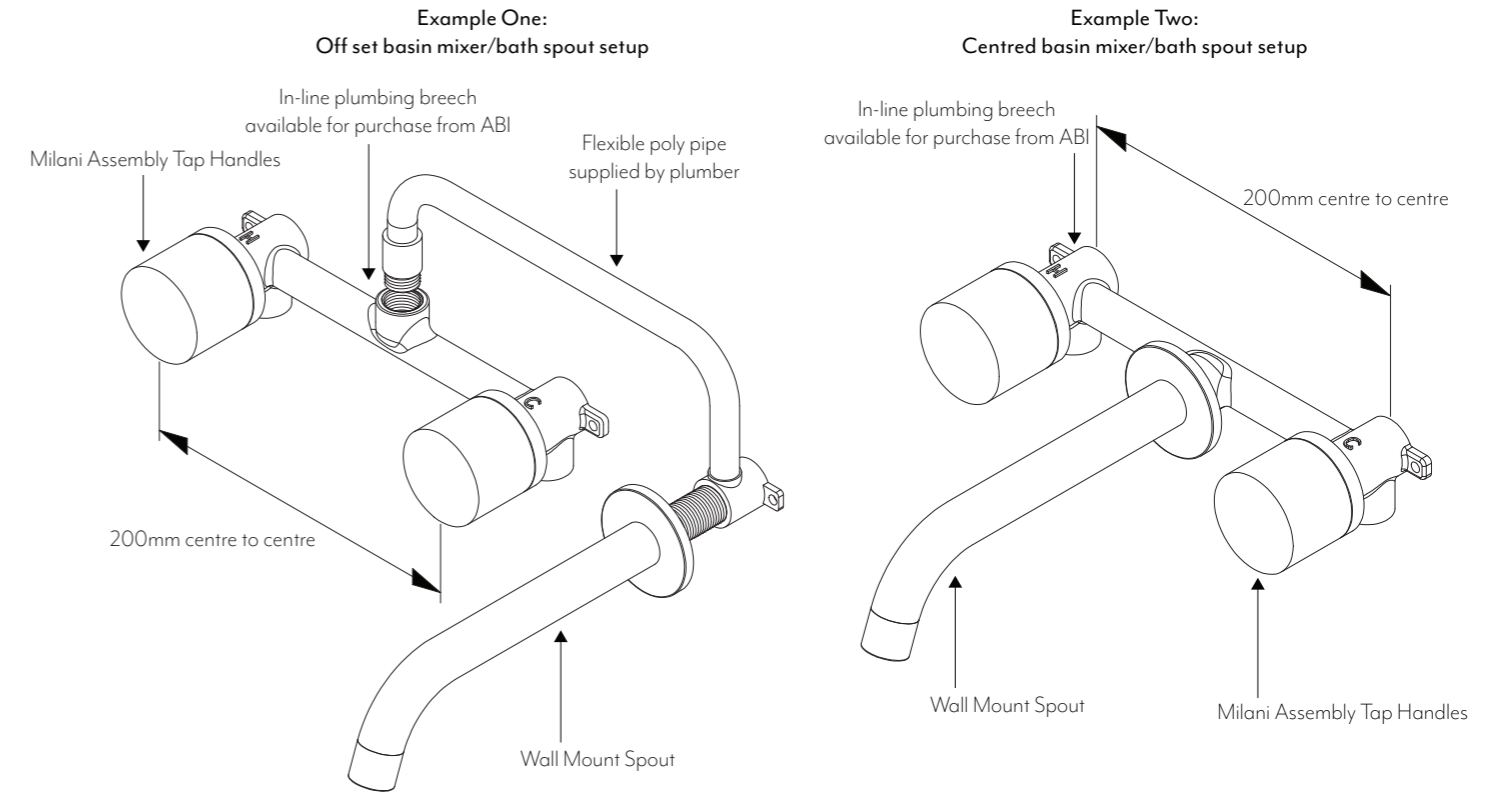
The maximum distance this assembly can achieve using an extended spindle from nogging to finished wall surface is 75mm, (or 33mm from in-wall breach to finished wall surface).

ASSEMBLY SETUP GUIDE

Note: This product must be installed by a licensed plumber.

This is a general installation guide - there are many factors that are involved that can alter the installation method. This product install must comply with AS/NZS 3500.

ABI



WHATS IN THE BOX

1. Spindle x 2
2. Spindle Locking Nut x 2
3. Back plate x 2
4. Handle Body x 2
5. Grub Screw x 2
6. Grub Screw Cover x 2
7. Allen Key x 1

