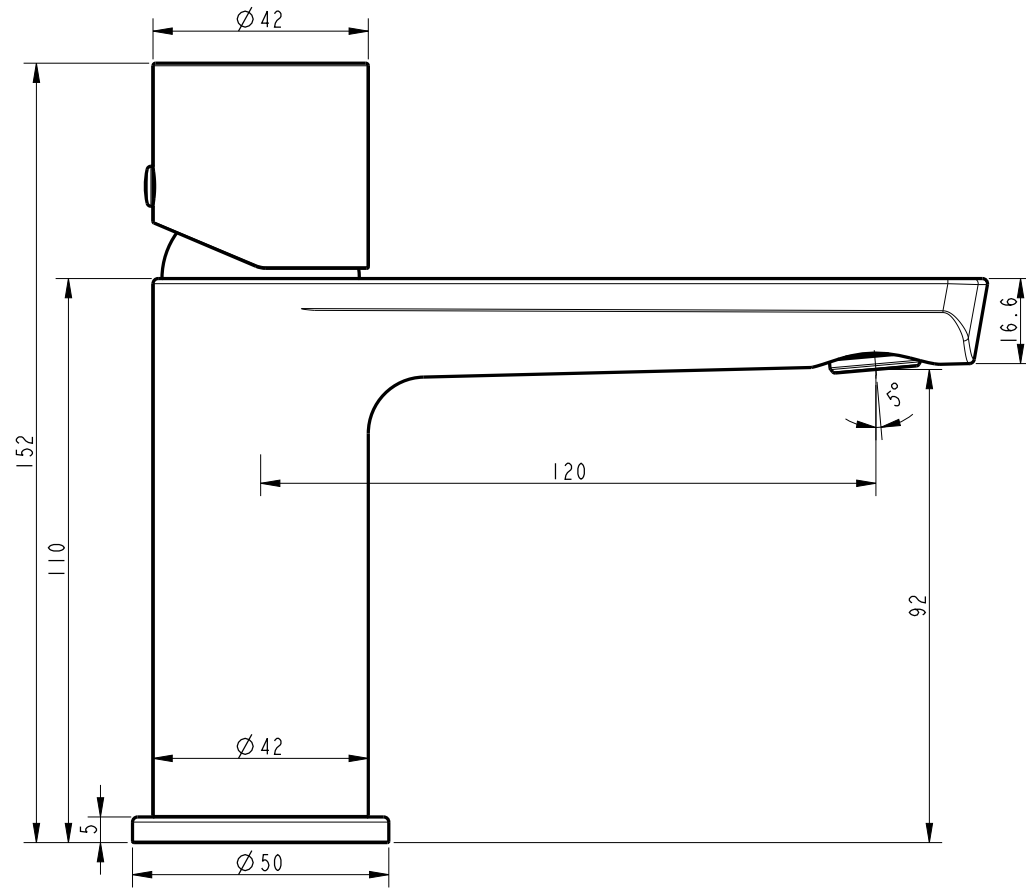


MILANI BASIN MIXER



Note: Dimensions are nominal measurements only

SPECIFICATIONS

RECOMMENDED USE

Domestic

PRESSURE RATING

Maximum continuous operating pressure 10 Bar. For best performance and longer life we recommend 0.2-5 Bar. Hot and cold water inlet pressure should be equal.

TEMPERATURE RATING

Maximum continuous working temperature 80°C

SUITABLE HOT WATER UNITS

Storage tank: Yes
Continuous Flow: Yes
Gravity Feed: Suitable

WATER EFFICIENCY

Nominal Flow Rate(5 L/M)
WRAS approved

WARRANTY

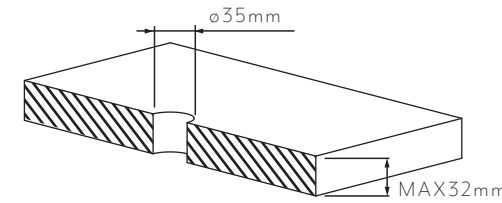
Structure: 25 years | Finish: 5 years | Cartridge: 10 years

INSTALLATION MANUAL

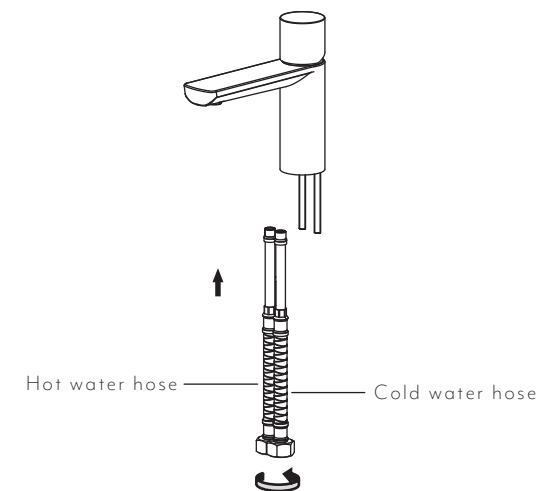
This product must be installed by a qualified plumber.

Installation should comply with relevant local authority requirements.

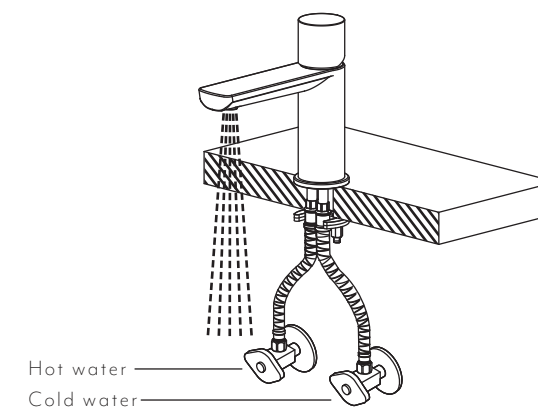
- 1 Mark hole in benchtop at desired position and drill a 35 mm hole.



- 3 Connect the H & C flexible hoses. ABI recommends applying appropriate lubricant to o-rings



- 5 Attach the two flexible hoses to water supply and hand tighten. Remove the aerator from the spout and flush. Re-install aerator

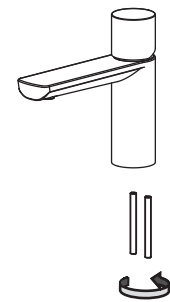


High Pressure Low Pressure

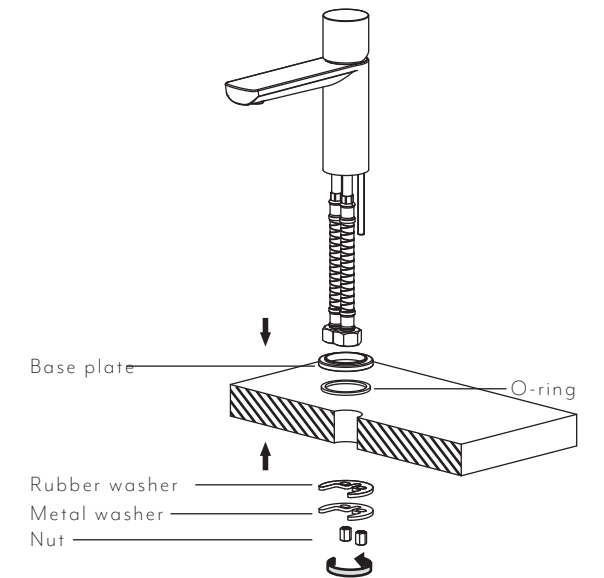


Unscrew spout tip to change aerator for alternative pressure option.

- 2 Fix the bolts to the bottom of the body and tighten.



- 4 Install the basin mixer by fixing the washers, nut & screws on the underside of the benchtop.



MIXER OPERATION

