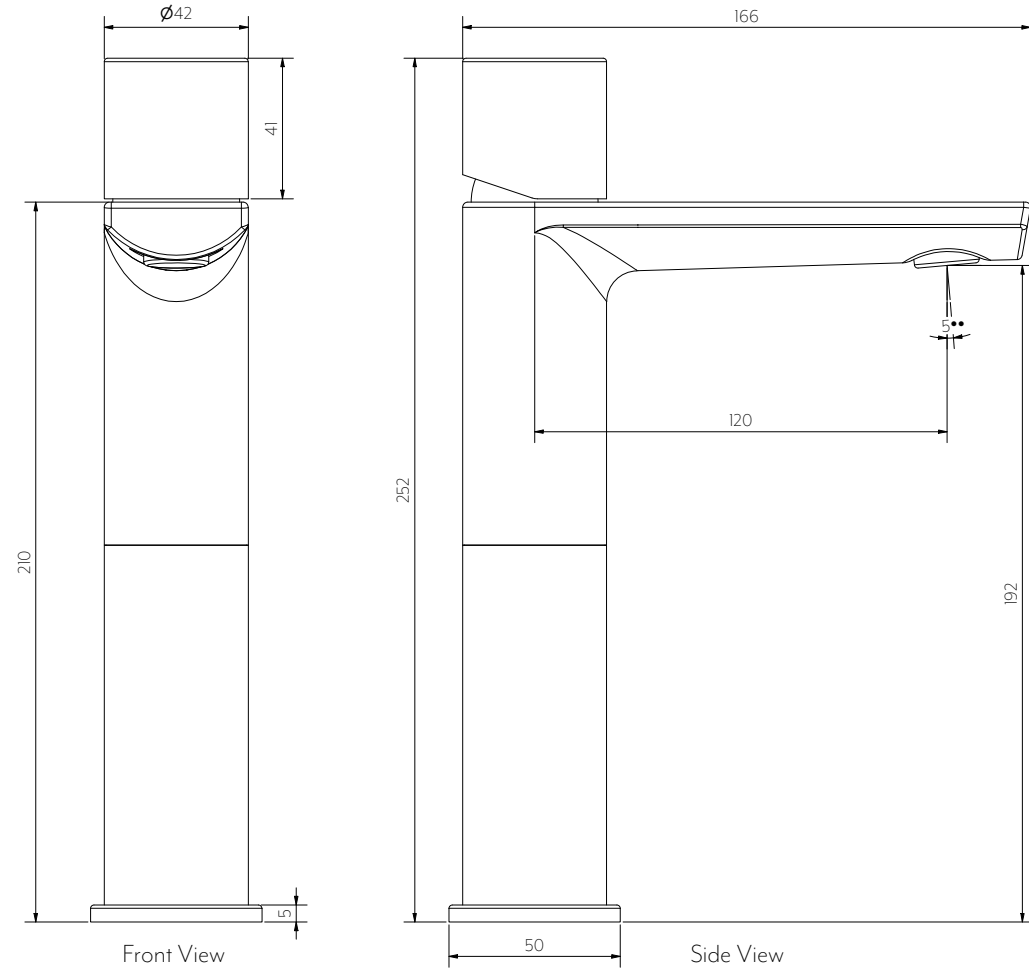


MILANI EXTENDED MIXER



Note: Dimensions are nominal measurements only

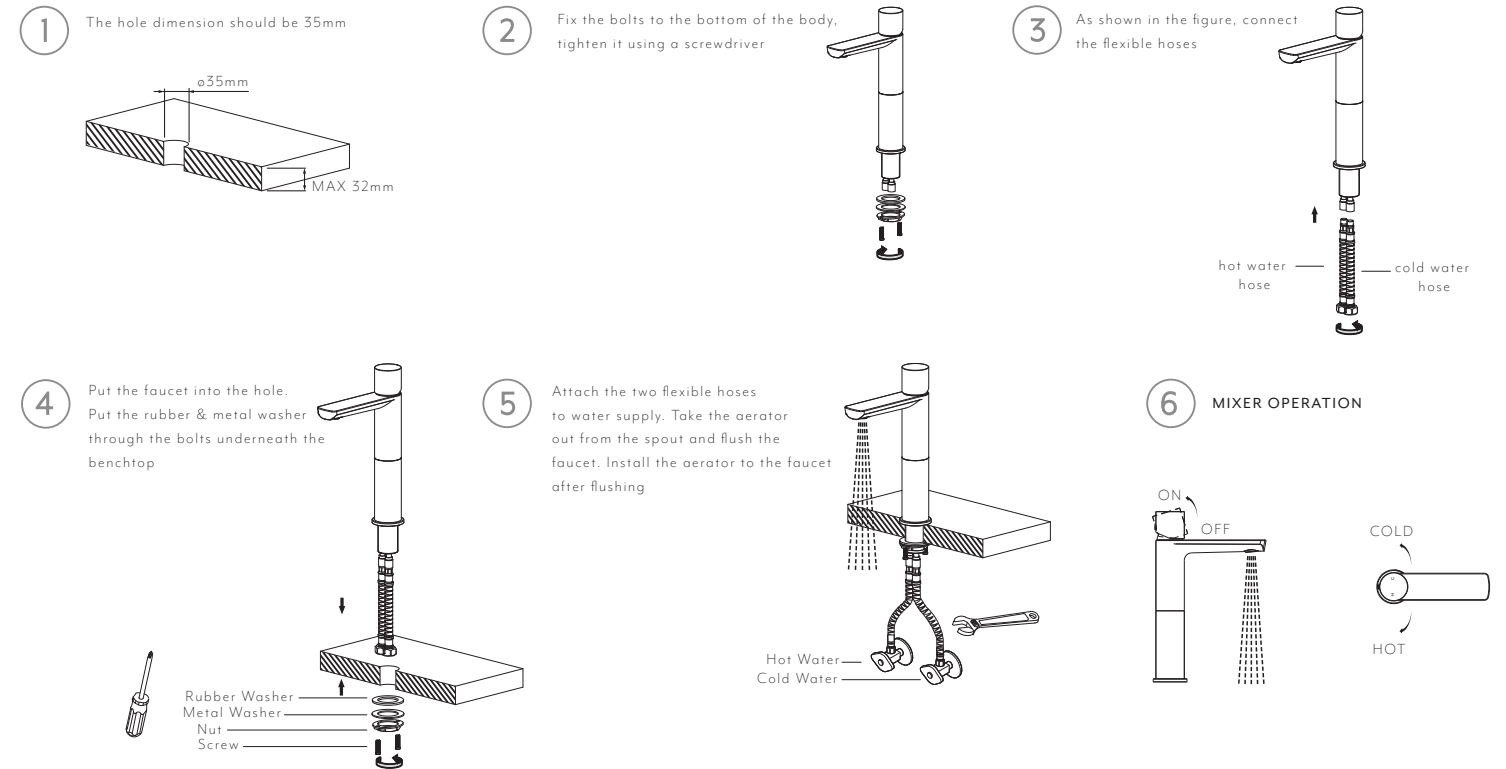
SPECIFICATIONS

RECOMMENDED USE	Domestic
MATERIAL	Solid Brass
PRESSURE RATING	Maximum continuous operating pressure 1000kPa.W. For best performance and longer life we recommend 150-500kPa. Hot and cold water inlet pressure should be equal.
TEMPERATURE RATING	Maximum continuous working temperature 80°C
SUITABLE HOT WATER UNITS	Storage tank: Yes Continuous Flow: Yes Gravity Feed: Not suitable
STANDARDS	WELS 5 Star, 5L/min, T32687 (V)

Disclaimer: Products in this manual must by law be installed by licensed and registered tradespeople in accordance with the relevant standards. ABI and the manufacturer/distributor reserve the right to vary specifications or delete models from their range without prior notification. Dimensions are nominal measurements only. The information listed is correct at the time of publication, however ABI and the manufacturer/distributor takes no responsibility for printing errors. Copyright © ABI Interiors 2021.

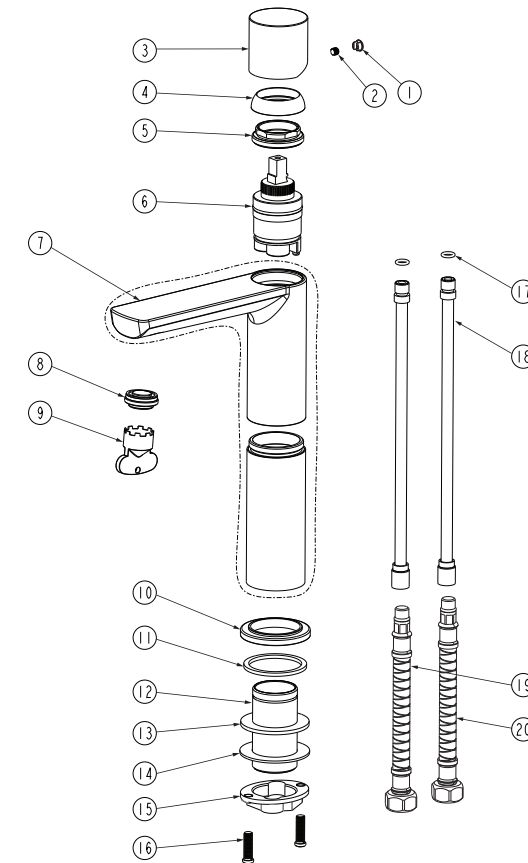
INSTALLATION GUIDE

This product must be installed by a licensed plumber.
This is a general installation guide - there are many factors that are involved that can alter the installation method.
This product install must comply with AS/NZS 3500.

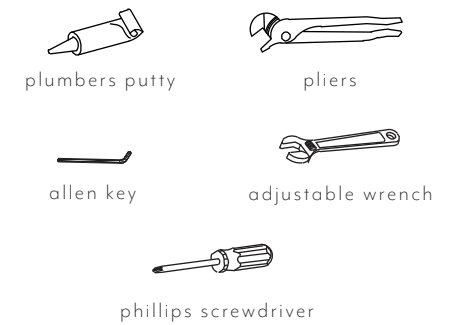


EXPLODED VIEW

- Item Description Code
- 1 Cap
 - 2 Grub Screw
 - 3 Handle
 - 4 Dome
 - 5 Locking nut
 - 6 Cartridge
 - 7 Body
 - 8-9 Aerator
 - 10 Base Plate
 - 11-16 Connection & Fittings
 - 17 Rubber rings
 - 18 Hose
 - 19-20 Flexi Hose



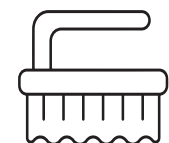
TOOLS YOU WILL NEED



Regularly clean with mild liquid detergent or soap and water



DO NOT use cream cleaners or bleach. These substances are abrasive



DO NOT use cleaning pads with abrasive surfaces as this may scratch the material