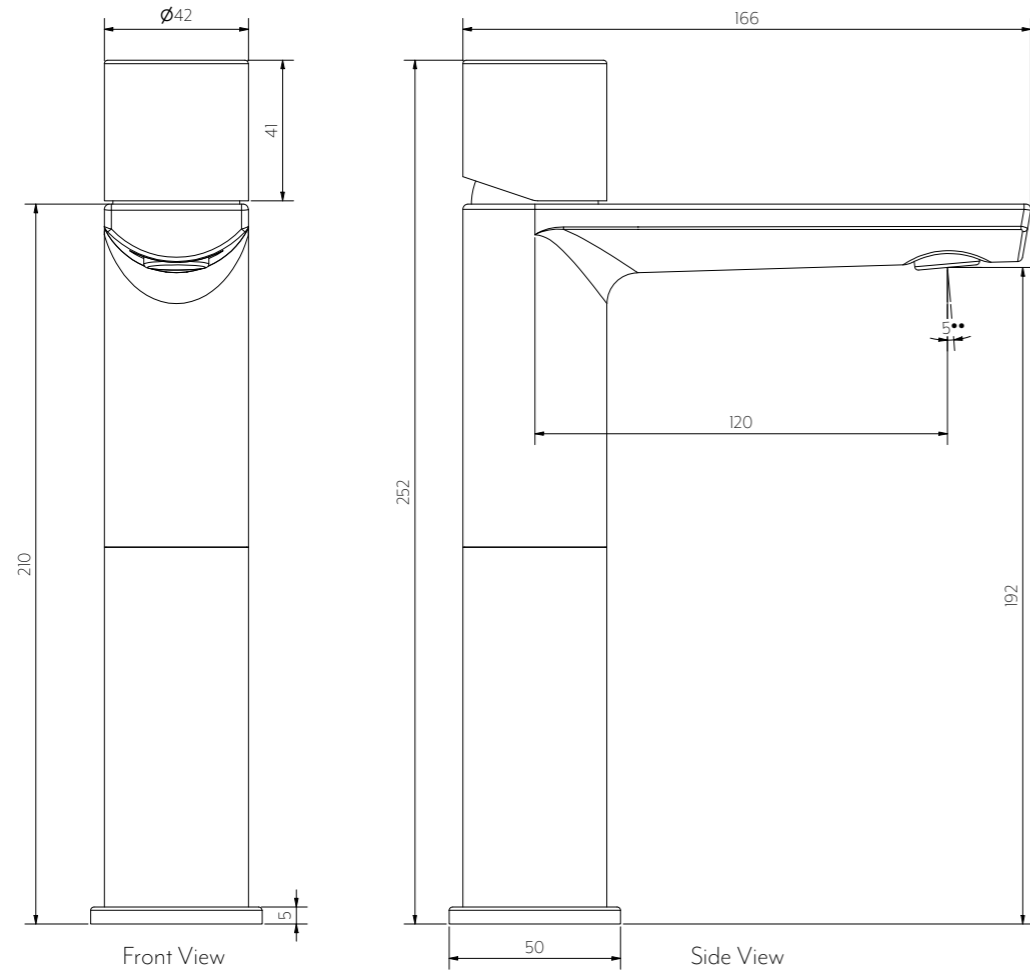


MILANI EXTENDED MIXER



Note: Dimensions are nominal measurements only

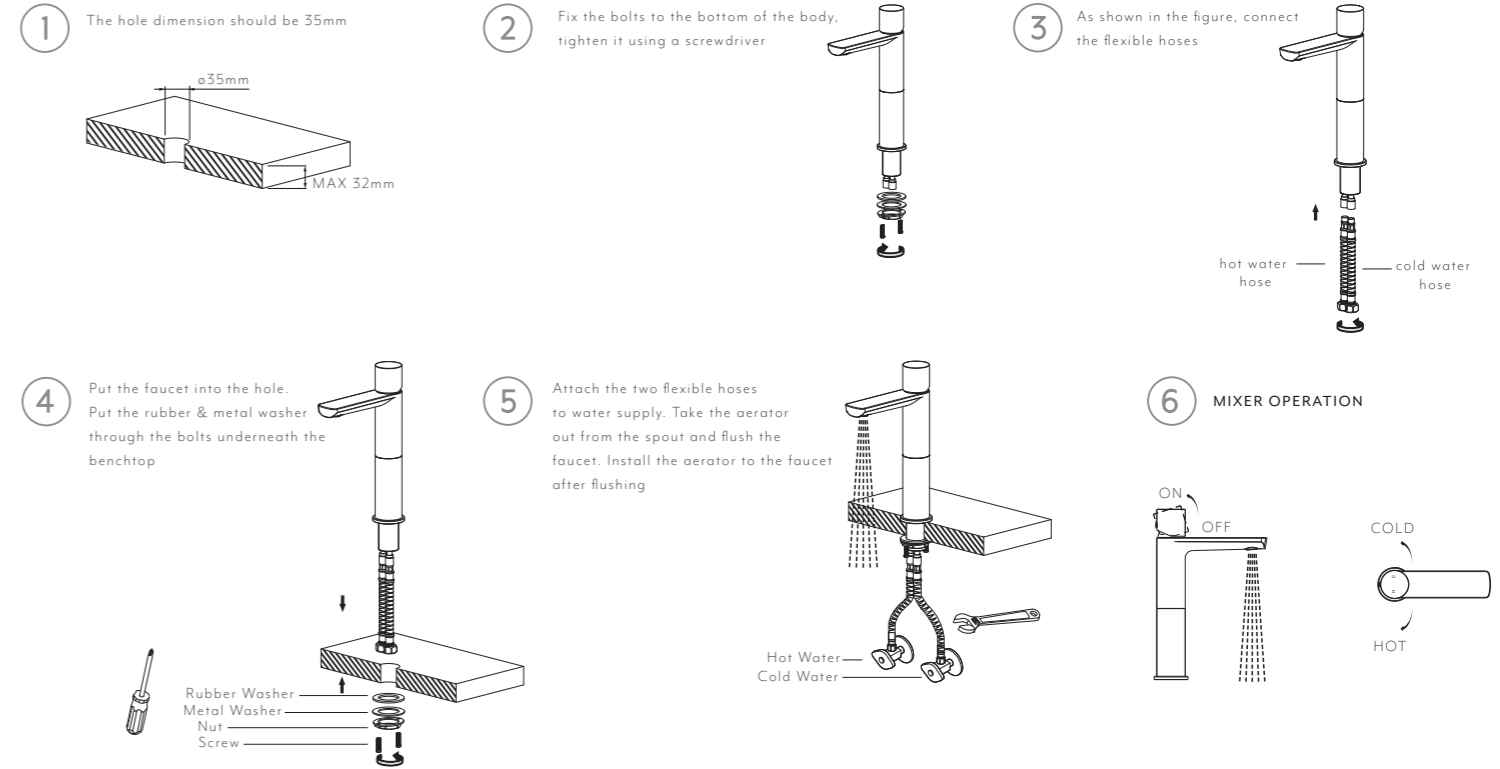
SPECIFICATIONS

RECOMMENDED USE	Domestic
MATERIAL	Solid Brass
PRESSURE RATING	Recommended minimum working pressure 0.2 Bar Recommended maximum working pressure 5 Bar Hot and cold water inlet pressure should be equal
TEMPERATURE RATING	Maximum continuous working temperature 80°C
SUITABLE HOT WATER UNITS	Storage tank: Yes Continuous Flow: Yes Gravity Feed: Suitable
WATER EFFICIENCY	Flow Rate 5L/min

Disclaimer: Products in this manual must by law be installed by licensed and registered tradespeople in accordance with the relevant standards. ABI and the manufacturer/distributor reserve the right to vary specifications or delete models from their range without prior notification. Dimensions are nominal measurements only. The information listed is correct at the time of publication, however ABI and the manufacturer/distributor takes no responsibility for printing errors. Copyright © ABI Interiors 2021.

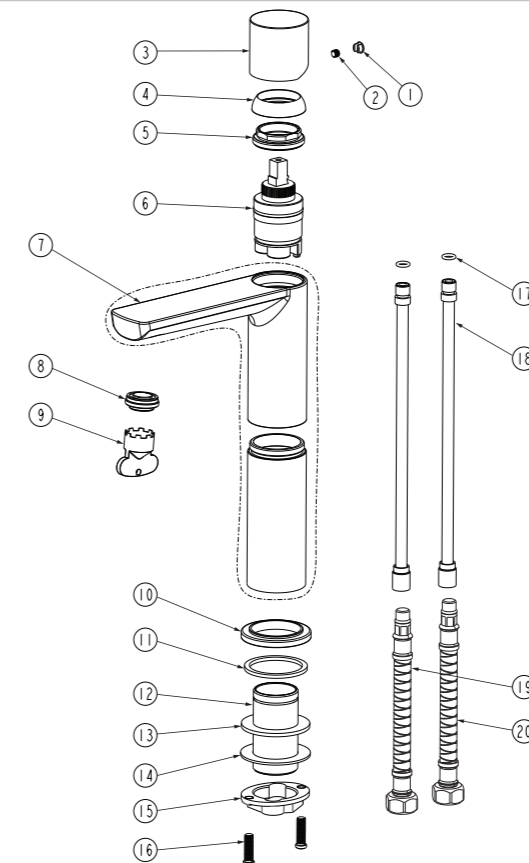
INSTALLATION GUIDE

Note: This product must be installed by a licensed plumber. This is a general installation guide - there are many factors that are involved that can alter the installation method. For installs outside Australia and New Zealand, the standards in your respective country must be adhered to by your licensed tradesperson.

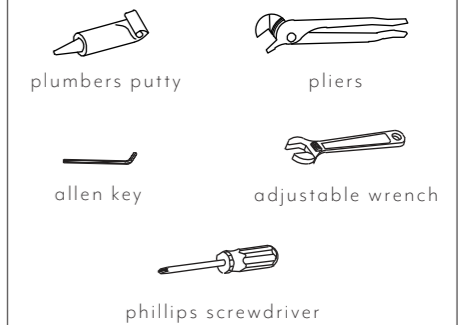


EXPLODED VIEW

- Item Description Code
- 1 Cap
- 2 Grub Screw
- 3 Handle
- 4 Dome
- 5 Locking nut
- 6 Cartridge
- 7 Body
- 8-9 Aerator
- 10 Base Plate
- 11-16 Connection & Fittings
- 17 Rubber rings
- 18 Hose
- 19-20 Flexi Hose



TOOLS YOU WILL NEED



High Pressure

Low Pressure



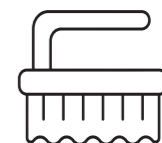
Unscrew spout tip to change aerator for alternative pressure option.



Regularly clean with mild liquid detergent or soap and water



DO NOT use cream cleaners or bleach. These substances are abrasive



DO NOT use cleaning pads with abrasive surfaces as this may scratch the material