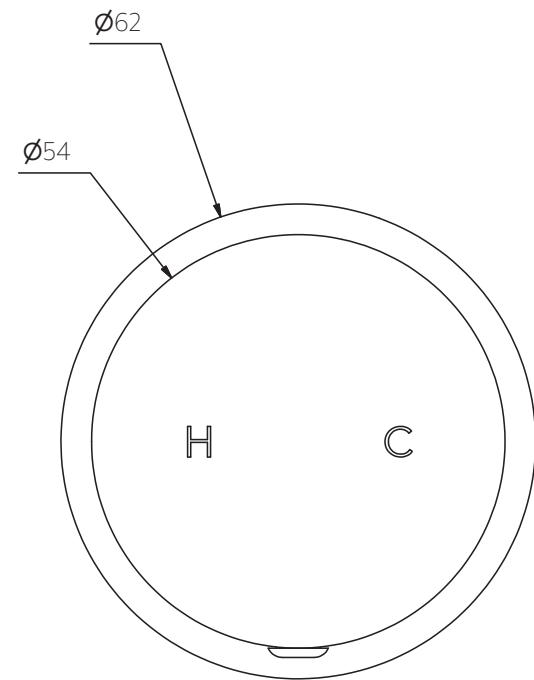
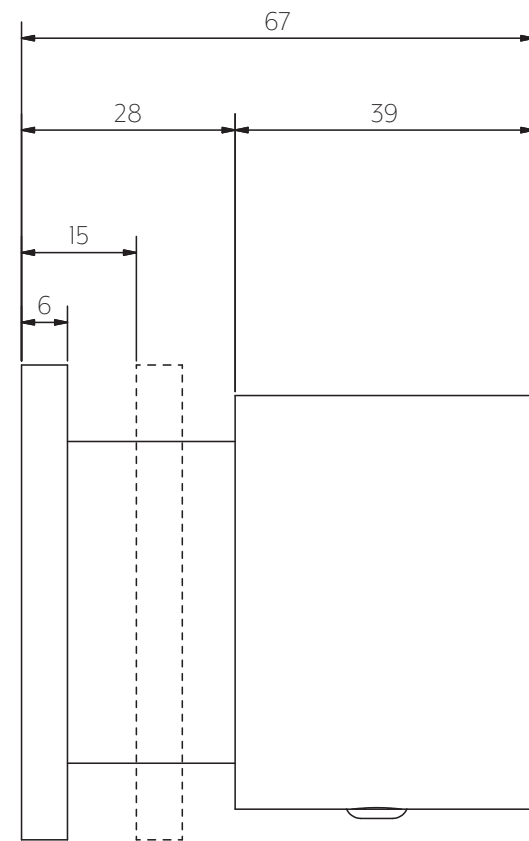




MILANI PROGRESSIVE HANDLE KIT



Front View



Side View

Note: In-wall not included in handle kit

Note: Dimensions are nominal measurements only

SPECIFICATIONS

RECOMMENDED USE

Domestic

CONSTRUCTION

Solid Brass

Disclaimer: Products in this manual must by law be installed by licensed and registered tradespeople in accordance with the relevant standards. ABI and the manufacturer/distributor reserve the right to vary specifications or delete models from their range without prior notification. Dimensions are nominal measurements only. The information listed is correct at the time of publication, however ABI and the manufacturer/distributor takes no responsibility for printing errors. Copyright © ABI Interiors Pty Ltd 2021.

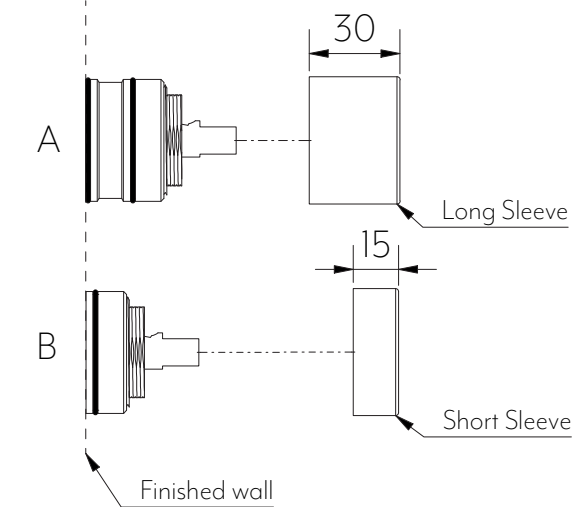
INSTALLATION GUIDE

This product must be installed by a licensed plumber. This is a general installation guide - there are many factors that are involved that can alter the installation method. This product install must comply with AS/NZS 3500.

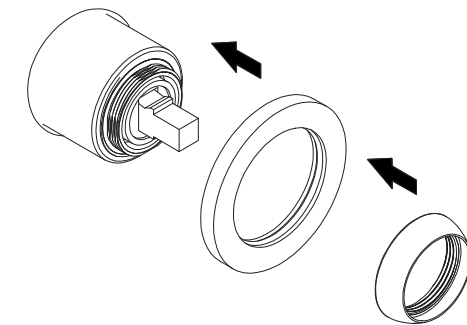


NOTE: See Progressive Mixer Body installation guide for In-Wall set out.

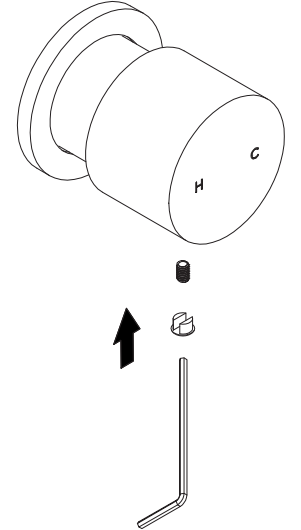
① Choose sleeve based on how far your In-wall protrudes from finish wall and slide on.



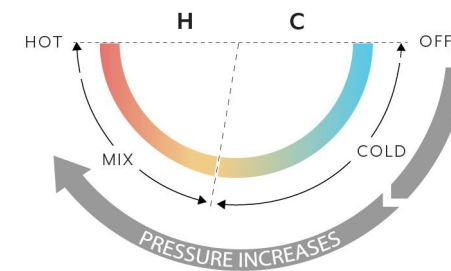
② Slide back plate on. Screw dome on.



③ Tighten grub screw with allen key. Replace grub screw cap.

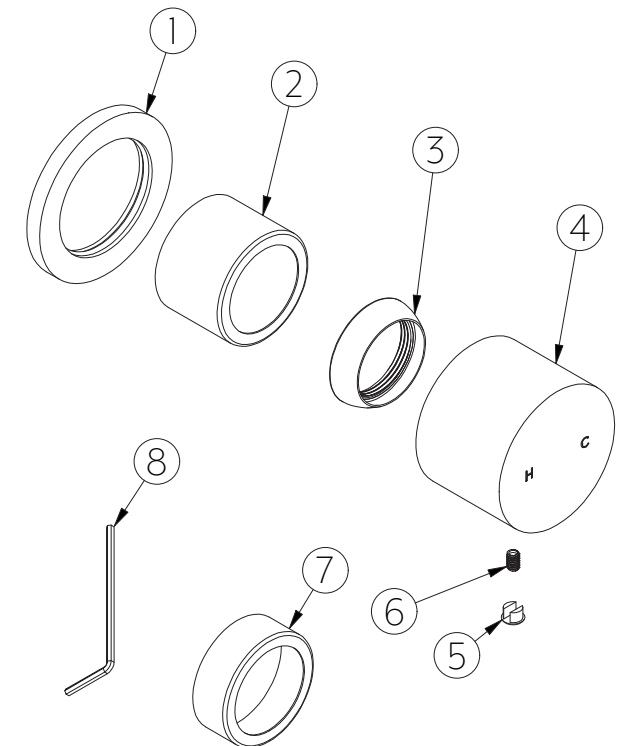


MIXER OPERATION



WHAT'S IN THE BOX

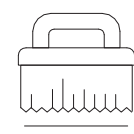
1. Back plate
2. Long sleeve
3. Dome
4. Handle
5. Grub screw cap
6. Grub screw
7. Short sleeve
8. Allen key



Regularly clean with mild liquid detergent or soap and water

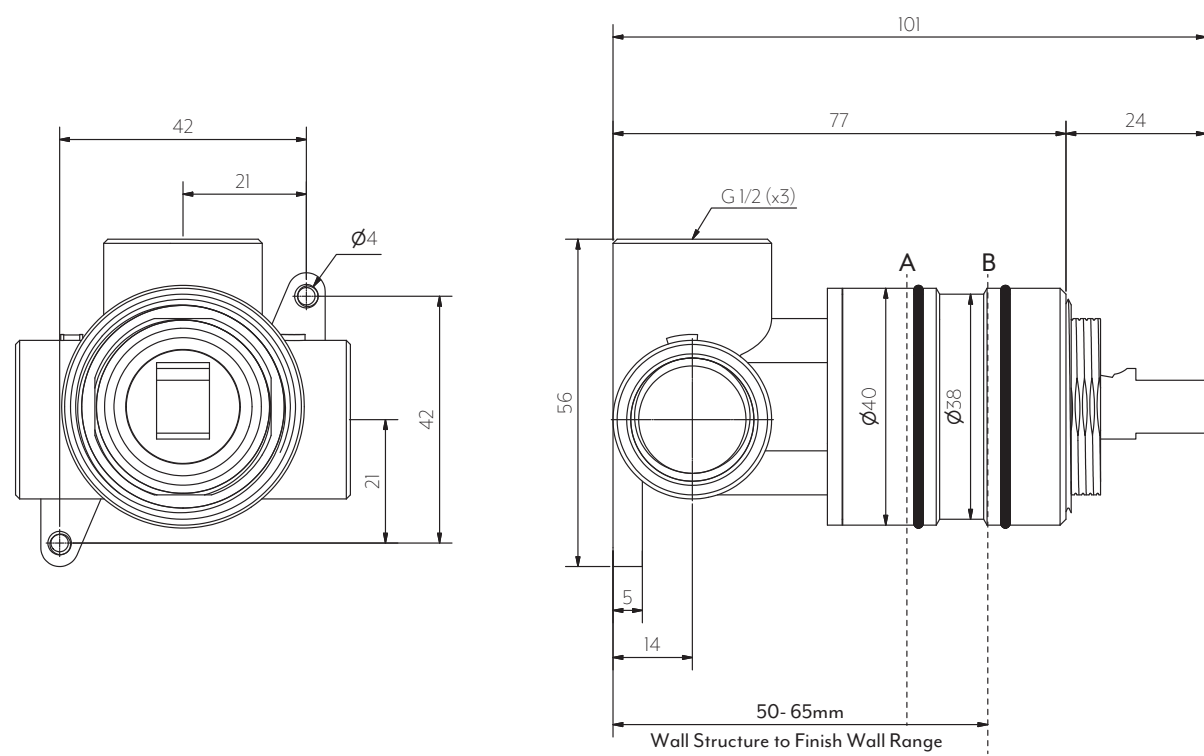


DO NOT use cream cleaners or bleach. These substances are abrasive



DO NOT use cleaning pads with abrasive surfaces as this may scratch the material

ABI (IN-WALL) PROGRESSIVE MIXER BODY - SOLID BRASS



Front View

Side View

DISCLAIMER: To achieve infinity (interchangeable sleeves) finish wall must fall between point A and B. Please ensure waterproofing is set back from finish wall and does not obstruct sleeves.

Note: Dimensions are nominal measurements only

SPECIFICATIONS

RECOMMENDED USE

Domestic

CONSTRUCTION

Solid Brass

PRESSURE RATING

Recommended minimum working pressure 150kPa
Recommended maximum working pressure 500kPa
Hot and cold water inlet pressure should be equal

TEMPERATURE RATING

Maximum continuous working temperature 75°C If the water temperature exceeds 75°C, an approved tempering valve must be fitted

SUITABLE HOT WATER UNITS

Storage tank: Yes
Continuous Flow: Yes
Gravity Feed: Not suitable

STANDARDS

AS/NZS 3718:2005, WM-022852

Disclaimer: Products in this specification manual must by regulation be installed by licensed and registered trade people. The manufacturer/distributor reserves the right to vary specifications or delete models from their range without prior notification. Dimensions are nominal measurements only. Dimensions and set-outs listed are correct at time of publication however the manufacturer/distributor takes no responsibility for printing errors. All ABI Products are designed in Australia. Copyright ABI Interiors Pty Ltd 2021.

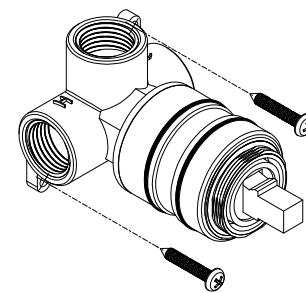
INSTALLATION GUIDE

This product must be installed by a licensed plumber. This is a general installation guide - there are many factors that are involved that can alter the installation method. This product install must comply with AS/NZS 3500.

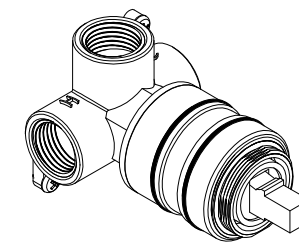
ROUGH IN

See Specification image for finish wall setback

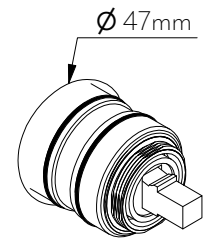
① Screw in-wall body into wall structure with provided screws.



② Connect hot, cold and mixed lines. TEST AND CHECK FOR LEAKS.

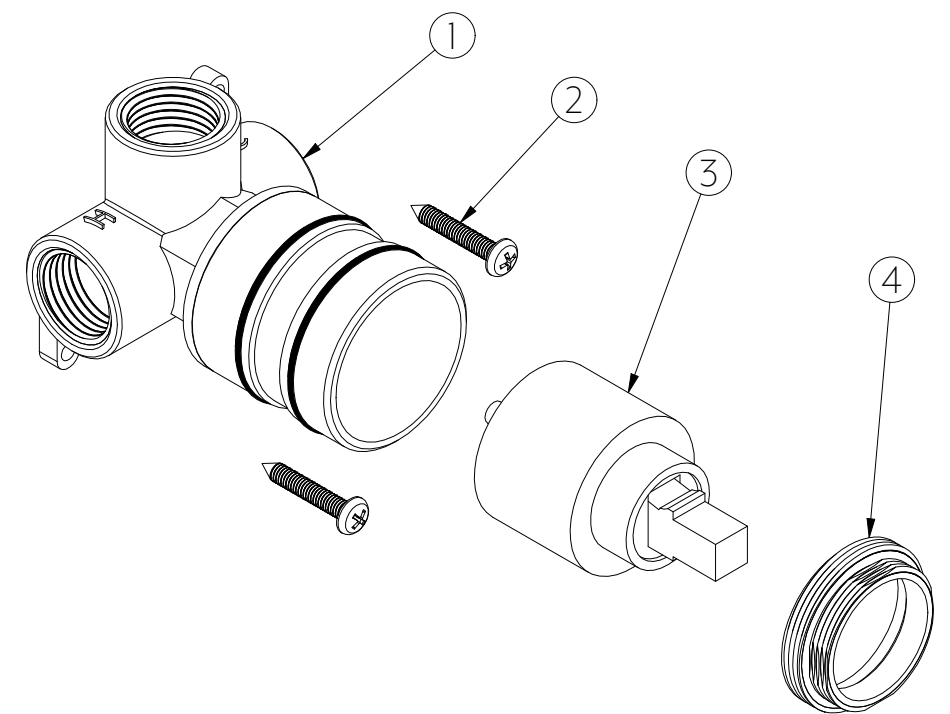


③ Sheeting and waterproof layer can now be applied. *Ensure cutout in finish wall is 47mm diameter.

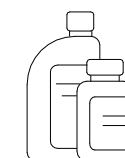


WHAT'S IN THE BOX

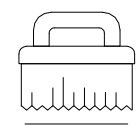
1. Body
2. Fixing screws
3. Cartridge
4. Locking nut



Regularly clean with mild liquid detergent or soap and water



DO NOT use cream cleaners or bleach. These substances are abrasive



DO NOT use cleaning pads with abrasive surfaces as this may scratch the material