

Note: Dimensions are nominal measurements only

SPECIFICATIONS

RECOMMENDED USE

Domestic

MATERIAL

Solid Brass

TEMPERATURE RATING

Maximum continuous working temperature 75°C
If the water temperature exceeds 75°C, an approved tempering valve must be fitted

PRESSURE RATING

Recommended minimum working pressure 150kPa
Recommended maximum working pressure 500kPa
Hot and cold water inlet pressure should be equal

SUITABLE HOT WATER UNITS

Storage tank: Yes
Continuous flow: Yes
Gravity feed: Not suitable

STANDARDS

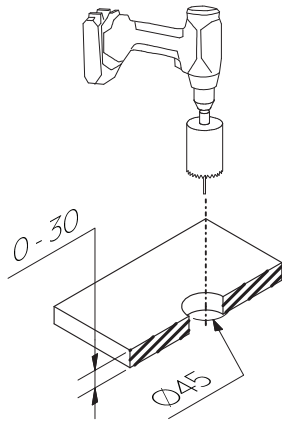
WELS 5 Star, 6L/min, T41259

INSTALLATION GUIDE

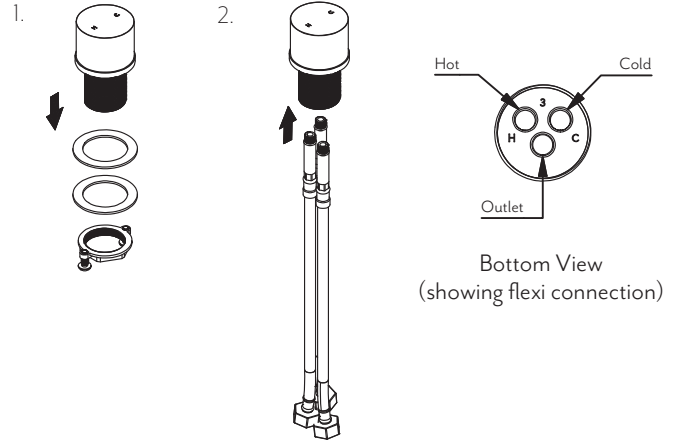
Note: This product must be installed by a licensed tradesperson. This is a general installation guide - there are many factors that are involved that can alter the installation method. For installations within Australia and New Zealand, this product must be installed in compliance with AS/NZS 3500.



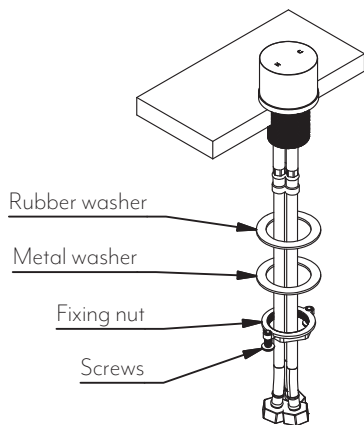
1. Cut a hole 45mm in diameter.
Note: If cutting a stone benchtop it will need to be cut in a controlled environment by a licensed tradesperson as per OH&S regulations.



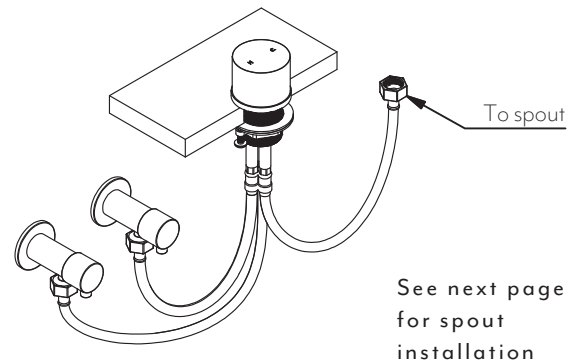
2. 1. Remove the fixing nut and washers.
2. Connect the flexi hoses (take note of red & blue mark)



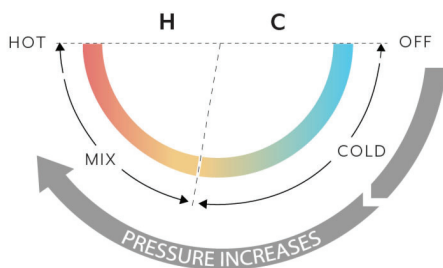
3. Push the flexi hoses through the hole. Fix to the bench by screwing the fixing nut and washers.



4. Attach the hot/cold flexi hoses to the corresponding hot/cold water supply.
Note: Purge the lines with fresh water before connecting the flexi hoses to any spout.



5. Mixer Operation



In The Box

	1 x Milani handle		3 x flexi hose
	1 x rubber washer		
	1 x metal washer		
	1 x fixing nut		



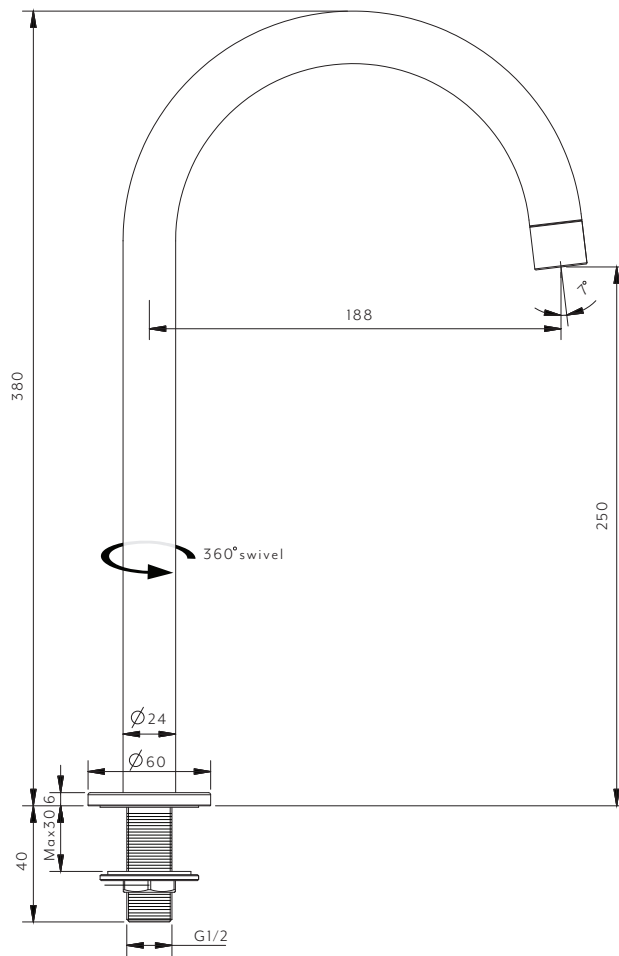
Regularly clean with mild liquid detergent or soap and water.



DO NOT use cream cleaners or bleach. These substances are abrasive.



DO NOT use cleaning pads with abrasive surfaces as this may scratch the material.



Note: Dimensions are nominal measurements only

SPECIFICATIONS

RECOMMENDED USE

Domestic

MATERIAL

Solid Brass

TEMPERATURE RATING

Maximum continuous working temperature 75°C
If the water temperature exceeds 75°C, an approved tempering valve must be fitted

PRESSURE RATING

Recommended minimum working pressure 150kPa
Recommended maximum working pressure 500kPa
Hot and cold water inlet pressure should be equal

SUITABLE HOT WATER UNITS

Storage tank: Yes
Continuous flow: Yes
Gravity feed: Not suitable

STANDARDS

WELS 5 Star, 6L/min, T41259

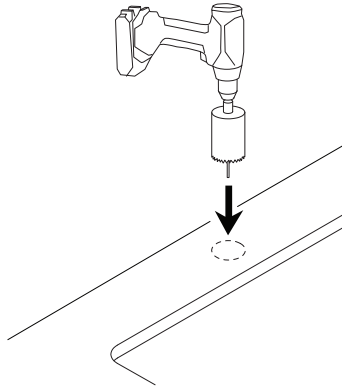
INSTALLATION GUIDE

Note: This product must be installed by a licensed tradesperson. This is a general installation guide - there are many factors that are involved that can alter the installation method. For installations within Australia and New Zealand, this product must be installed in compliance with AS/NZS 3500.



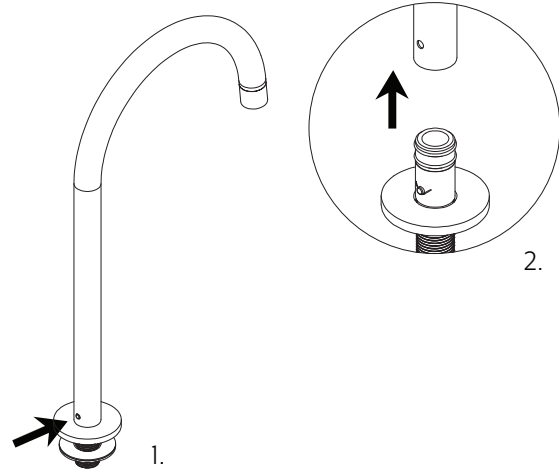
- 1 Mark out desired location of spout.

Cut hole using a 30mm hole saw.
Note: If cutting a stone benchtop it will need to be cut in a controlled environment by a licensed tradesperson as per OH&S regulations.

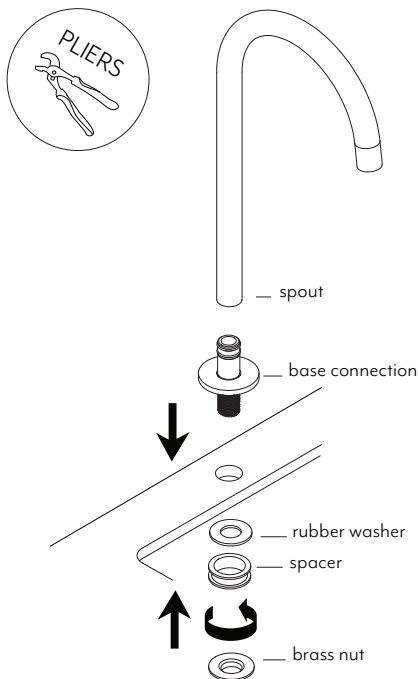


- 2 Remove the spout by pushing in the plastic clip with an Allen key or screwdriver.

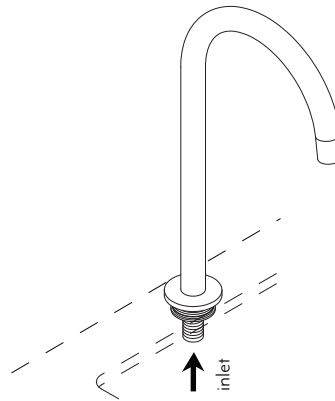
Caution: be careful not to scratch the spout!



- 3 Fix base connection to benchtop with brass nut ensuring the rubber washer and spacer are fitted to the underside of the benchtop. Use pliers to hold the base connection while nut is tightened.



- 4 Connect pipework to inlet of spout.



IN THE BOX		1 x spout		1 x spacer (if required)
		1 x base connection		1 x rubber washer
				1 x brass nut



Regularly clean with mild liquid detergent or soap and water.



DO NOT use cream cleaners or bleach. These substances are abrasive.



DO NOT use cleaning pads with abrasive surfaces as this may scratch the material.