

**Note:** Dimensions are nominal measurements only

### SPECIFICATIONS

#### RECOMMENDED USE

Domestic

#### CONSTRUCTION

Solid Brass

#### FINISH / COATING

ABI's Heat Shield – Industrial Grade PVD Electro Colouring System

#### TEMPERATURE RATING

Maximum continuous working temperature 75°C  
If the water temperature exceeds 75°C, an approved tempering valve must be fitted

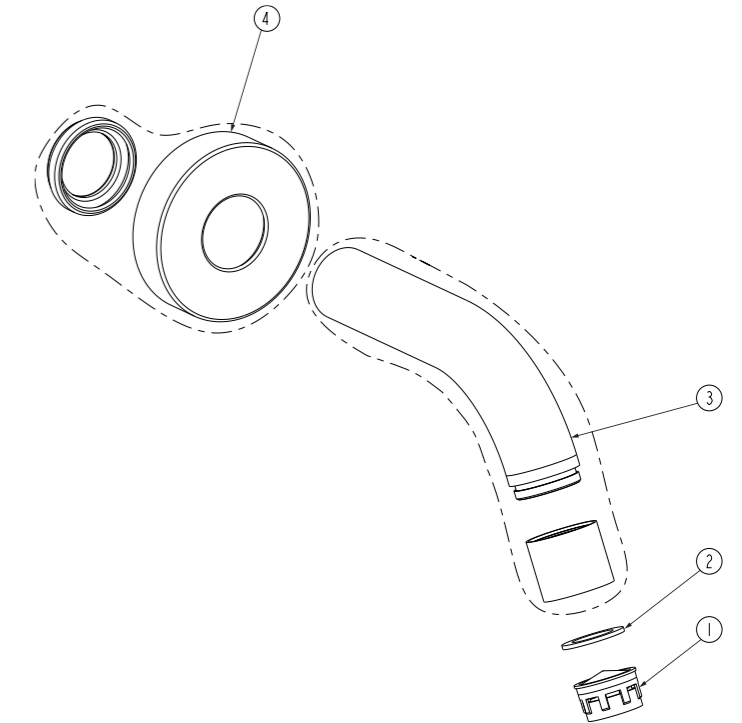
#### WARRANTY

Structure: 25 years | Finish: 5 years

Disclaimer: Products in this specification manual must by regulation be installed by licensed and registered trade people. The manufacturer/distributor reserves the right to vary specifications or delete models from their range without prior notification. Dimensions are nominal measurements only. Dimensions and set-outs listed are correct at time of publication however the manufacturer/distributor takes no responsibility for printing errors. All ABI Products are designed in Australia. Copyright ABI Interiors 2019.

### INSTALLATION PROCEDURE

Refer to AUS to UK adaptor Installation instructions.



### EXPLODED VIEW

Item Description Code

- 1 Aerator
- 2 Rubber Ring
- 3 Spout
- 4 Back Plate

High Pressure



Low Pressure



Unscrew spout tip to change aerator for alternative pressure option.



Regularly clean with mild liquid detergent or soap and water



DO NOT use cream cleaners or bleach. These substances are abrasive



DO NOT use cleaning pads with abrasive surfaces as this may scratch the material