

Note: In wall not included in handle kit

Note: Dimensions are nominal measurements only

SPECIFICATIONS

RECOMMENDED USE

Domestic

MATERIAL

Stainless Steel 316

INSTALLATION GUIDE

Note: This product must be installed by a licensed plumber. This is a general installation guide - there are many factors that are involved that can alter the installation method. This product install must comply with AS/NZS 3500.

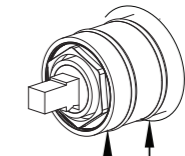
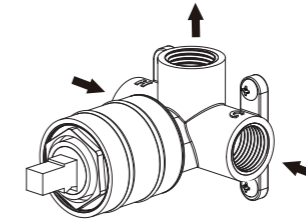
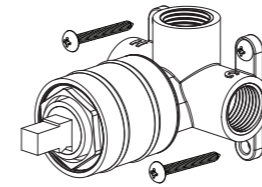
Note: In wall not included in handle kit.

1 Fasten screws to secure the wall mixer into wall structure.

2 Attach water supply and water outlet. TEST AND CHECK FOR LEAKS.

3 Create a 47mm hole in cement sheet and tiles. Waterproof at this point if future sleeve change is desired. DO NOT WATERPROOF SLEEVE.

Please ensure that the hole is big enough to allow for the sleeve to slide on at fit-off stage.

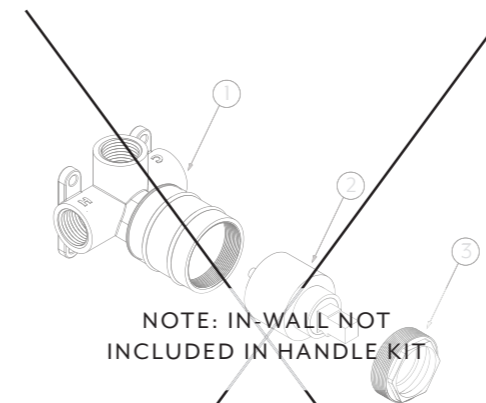
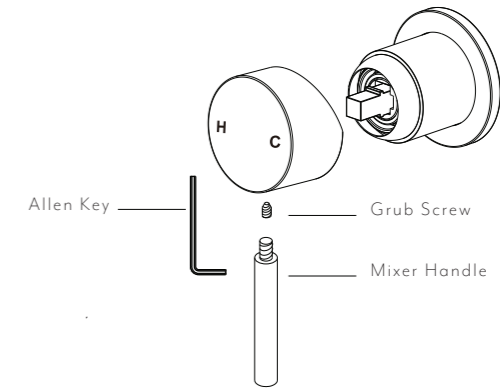
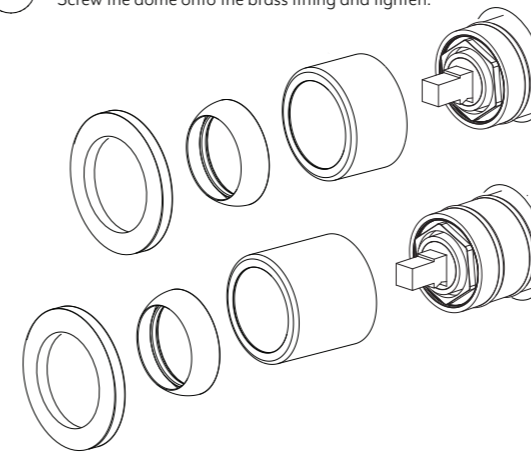


Do not allow finish wall past this point (use small sleeve)

Do not allow finish wall past this point (use large sleeve)

4 Push the sleeve over the body until it is as far back as possible and nut thread is exposed. Screw the dome onto the brass fitting and tighten.

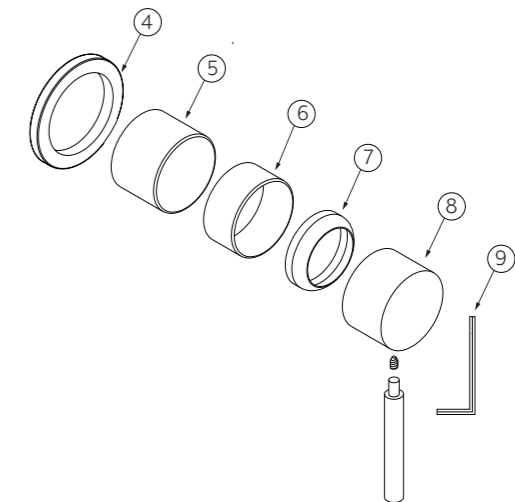
5 Place the handle onto the fitting. Fasten the grub screw firmly with the allen key.



NOTE: IN-WALL NOT INCLUDED IN HANDLE KIT

IN THE BOX (IN-WALL)

1. Body
2. Cartridge
3. Locking nut



IN THE BOX (HANDLE KIT)

4. Back plate
5. Long cover sleeve
6. Short cover sleeve
7. Dome
8. Mixer handle assembly
9. Allen key



Regularly clean with mild liquid detergent or soap and water



DO NOT use cream cleaners or bleach. These substances are abrasive



DO NOT use cleaning pads with abrasive surfaces as this may scratch the material