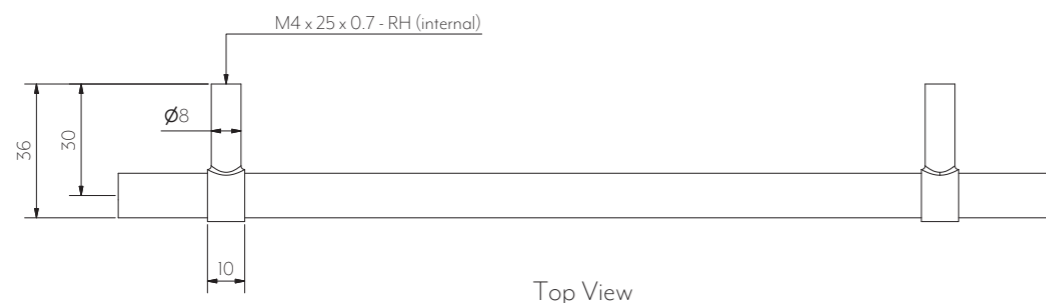
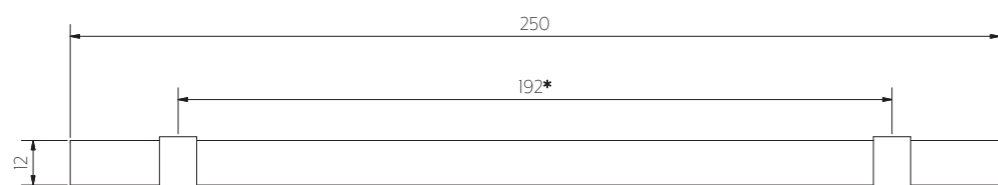


ABI MODI ADJUSTABLE CABINETY PULL 250MM



Top View



Front View

* The collars are adjustable, allowing the fixing points to be moved along the handle, we recommend anywhere between 100 - 220 spacing.

Note: Dimensions are nominal measurements only

SPECIFICATIONS

RECOMMENDED USE	Domestic
CONSTRUCTION	Solid Brass
MOUNTING HARDWARE INCLUDED	Yes
SCREW / BOLT TYPE	M4 Snap-off bolt (15-45mm)
HOLE DISTANCE	10 - 235 mm (centre to centre)

Disclaimer: Products in this specification manual must by regulation be installed by licensed and registered trade people. The manufacturer/distributor reserves the right to vary specifications or delete models from their range without prior notification. Dimensions are nominal measurements only. Dimensions and set-outs listed are correct at time of publication however the manufacturer/distributor takes no responsibility for printing errors. All ABI Products are designed in Australia. Copyright ABI Interiors Pty Ltd 2021.

INSTALLATION GUIDE

Note: This product must be installed by a licensed tradesperson.

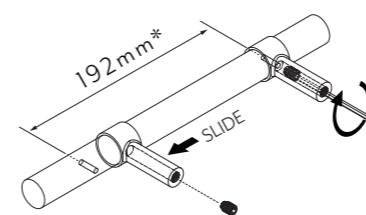
This is a general installation guide - there are many factors that are involved that can alter the installation method.

This product install must comply with the standards in your respective country and must be adhered to by your licensed tradesperson.



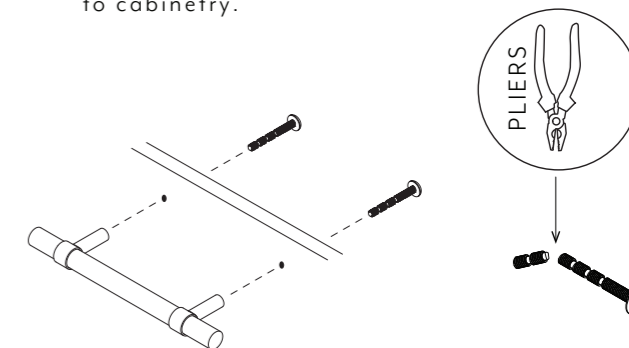
RETRO INSTALLS for installation into existing fixing points

- 1 Your adjustable cabinetry pull can be set to suit many widths. Use an Allen key to loosen the internal grub screw and slide the collar, tighten once in position.



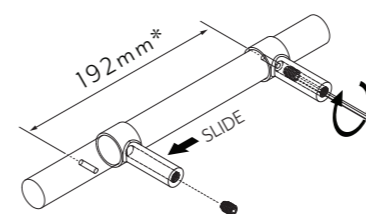
*There are 2 holes 192mm apart, these are our recommended spacings.

- 2 Use pliers or a hacksaw to trim bolt lengths appropriately to fit your cabinet thickness. Use a Phillips head screw driver to attach to cabinetry.



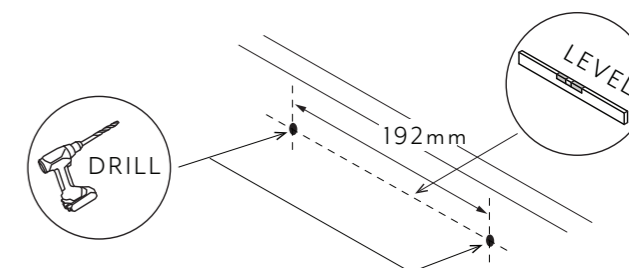
NEW INSTALLS for installations without existing fixing points

- 1 Your adjustable cabinetry pull can be set to suit many widths. Use an Allen key to loosen the internal grub screw and slide the collar, tighten once in position.

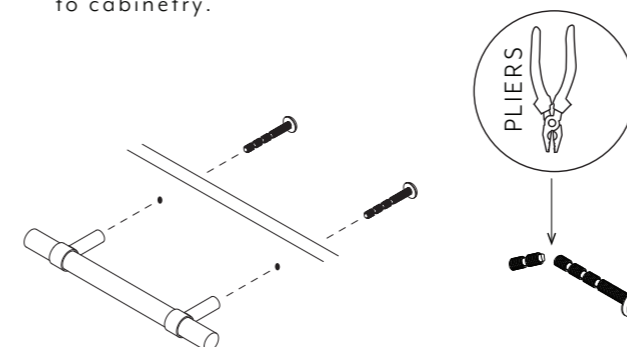


*There are 2 holes 192mm apart, these are our recommended spacings.

- 2 Mark the hole locations in your cabinetry, be sure it is level. Use a 4 or 5mm drill bit.



- 3 Use pliers or a hacksaw to trim bolt lengths appropriately to fit your cabinet thickness. Use a Phillips head screw driver to attach to cabinetry.



Regularly clean with mild liquid detergent or soap and water.



DO NOT use cream cleaners or bleach. These substances are abrasive.



DO NOT use cleaning pads with abrasive surfaces as this may scratch the material.

IN THE BOX	
	1x 250mm Handle
	2x Grub screw (this part is inside the collar)
	2x Collars
	2x Snap-off bolts