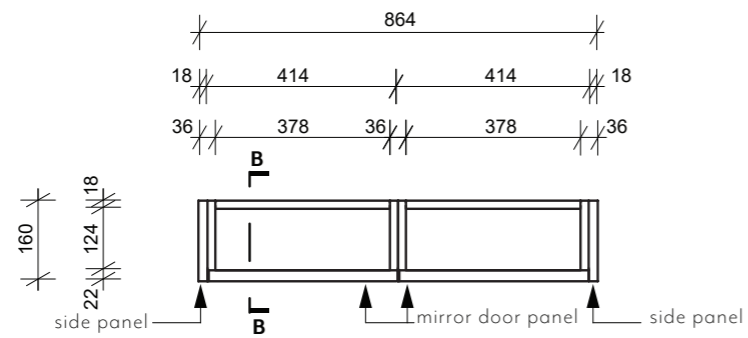
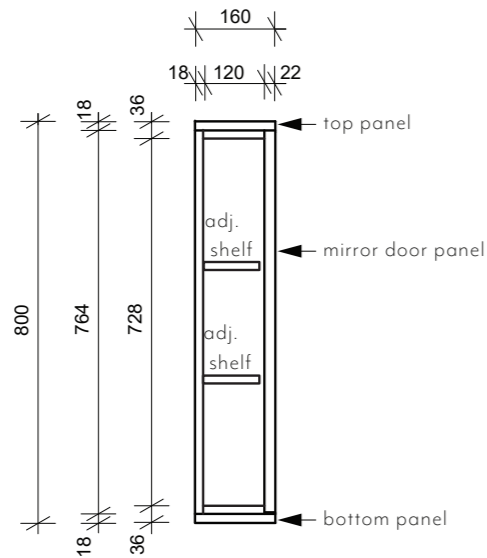


FRONT VIEW



TOP SECTION AA



SIDE SECTION BB

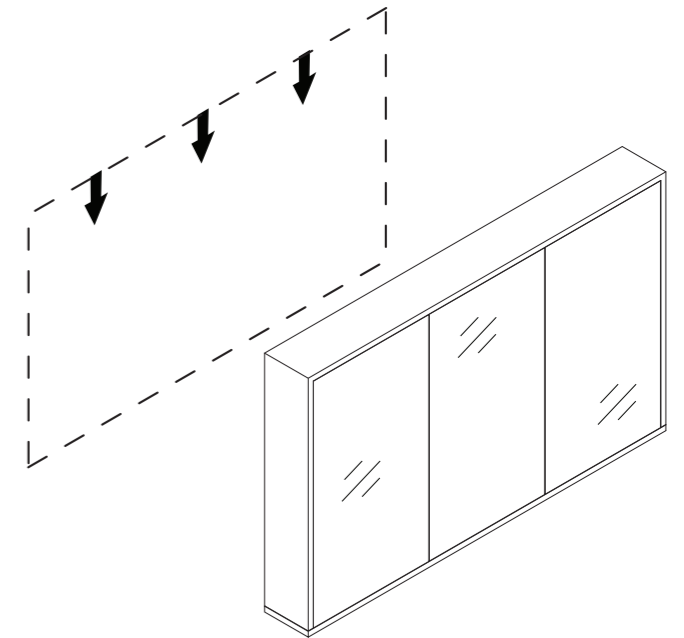
**Note:** Dimensions are nominal measurements only

Disclaimer: Products in this specification manual must by regulation be installed by licensed and registered trade people. The manufacturer/distributor reserves the right to vary specifications or delete models from their range without prior notification. Dimensions are nominal measurements only. Dimensions and set-outs listed are correct at time of publication however the manufacturer/distributor takes no responsibility for printing errors. All ABI Products are designed in Australia. Copyright ABI Interiors Pty Ltd 2021.

### INSTALLATION GUIDE

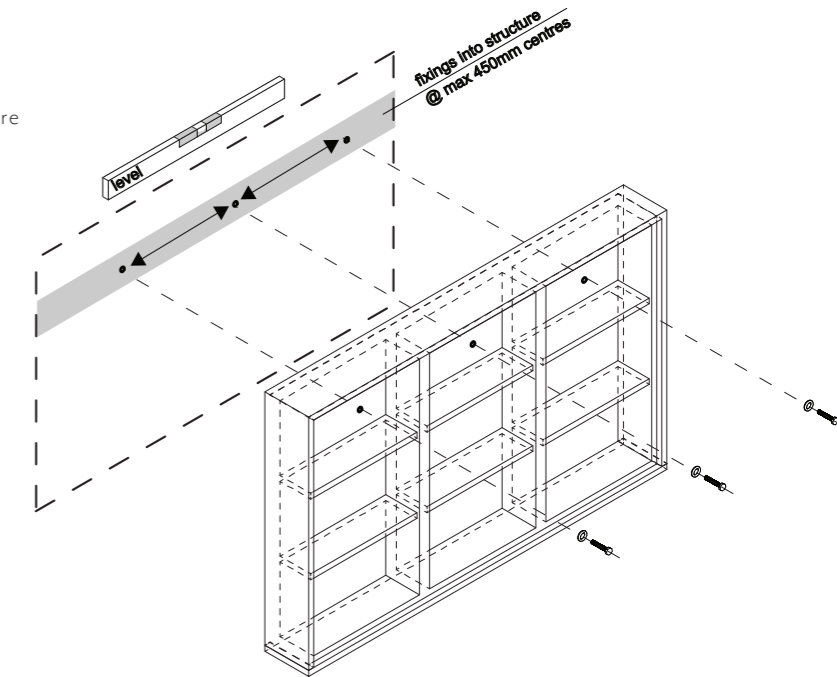
Note: This product must be installed by a licensed tradesperson. This is a general installation guide - there are many factors that are involved that can alter the installation method. The product shown in the installation guide may differ from the product purchased.

- 1 Check the desired height of mirror cabinet from floor.



- 2 If correct height and position is suitable, level the top of the mirror cabinet & mark out desired position. Drill holes through the back of mirror cabinet into structure within wall with a wood drill bit.

**Note:** ensure adequate fixings are fixed at maximum 450 centres into structure within wall. ABI takes no responsibility if vanity is not fixed into wall structure.



- 3 Silicon top and sides of mirror cabinet if necessary.

