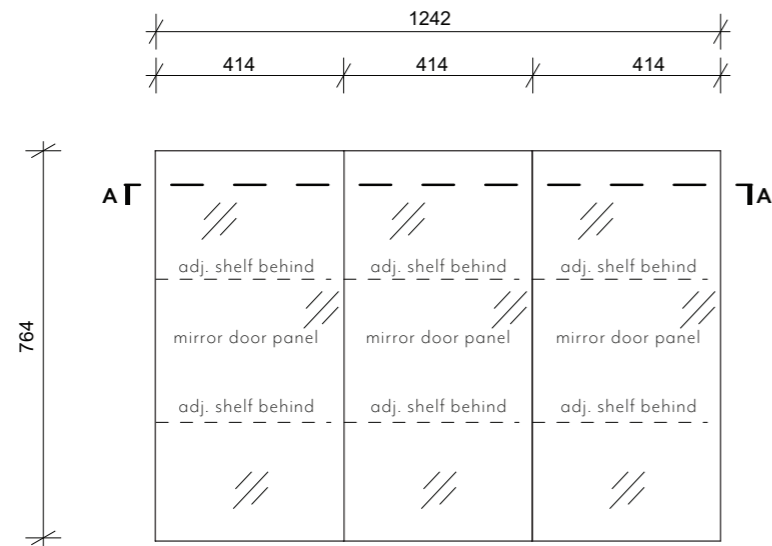


ABI MYRA 3 DOOR MIRROR CABINET 1242MM

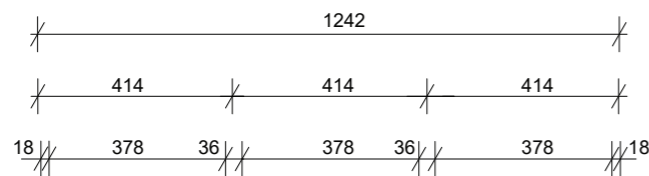
Recess Option

INSTALLATION GUIDE

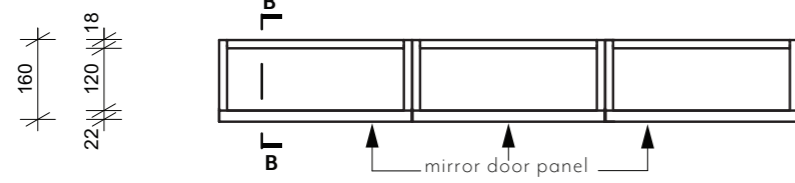
Note: This product must be installed by a licensed tradesperson. This is a general installation guide - there are many factors that are involved that can alter the installation method. The product shown in the installation guide may differ from the product purchased.



FRONT VIEW



TOP SECTION AA

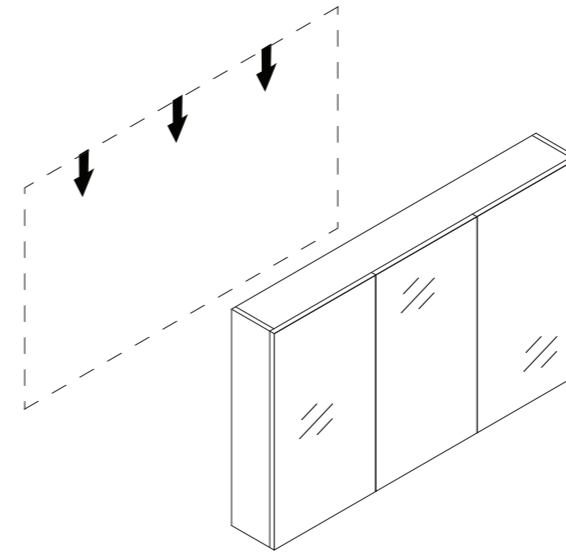


SIDE SECTION BB

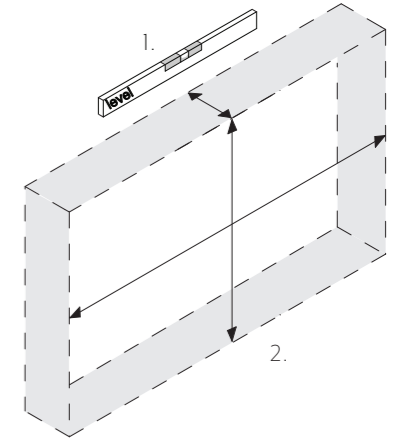
Note: Dimensions are nominal measurements only

Disclaimer: Products in this specification manual must by regulation be installed by licensed and registered trade people. The manufacturer/distributor reserves the right to vary specifications or delete models from their range without prior notification. Dimensions are nominal measurements only. Dimensions and set-outs listed are correct at time of publication however the manufacturer/distributor takes no responsibility for printing errors. All ABI Products are designed in Australia. Copyright ABI Interiors Pty Ltd 2021.

1 Check the desired height of mirror cabinet from floor.



2 1. Provide framed niche into wall cavity as per overall cabinet dimension + wall lining thickness.
2. Finish framed niche opening with preferred internal wall lining.



3 Insert cabinet into wall niche.
1. Drill holes through the mirror cabinet into structure within wall niche with wood drill bit.
2. Insert adjustable shelves.

Note: ensure adequate fixings are fixed into structure within wall. ABI takes no responsibility if vanity is not fixed into wall structure.

4 Silicone inset edge if necessary. **Note: may require door removal.**

