

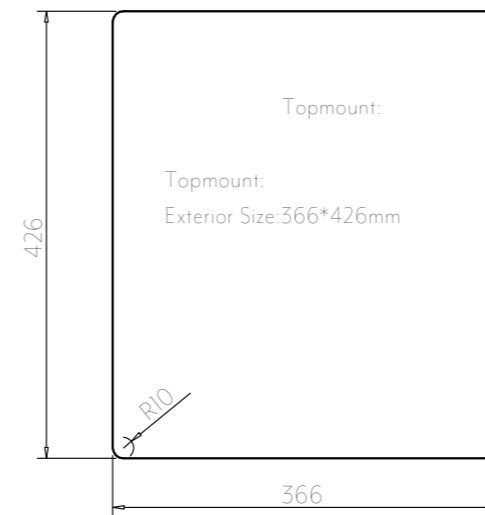
8 PCS

INSTALLATION

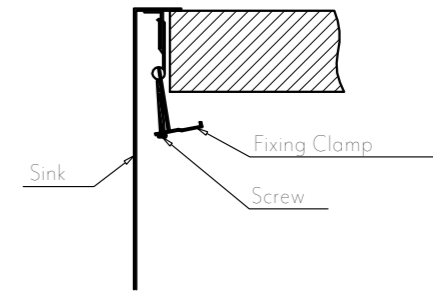
ABI will not be held responsible for any damage caused by leakage or faulty installation. ABI has a strict quality controlling process however please check the sink prior to installation. Please ensure proper care is taken during installation to avoid scratching the Stainless Steel.

CUT-OUT TEMPLATES

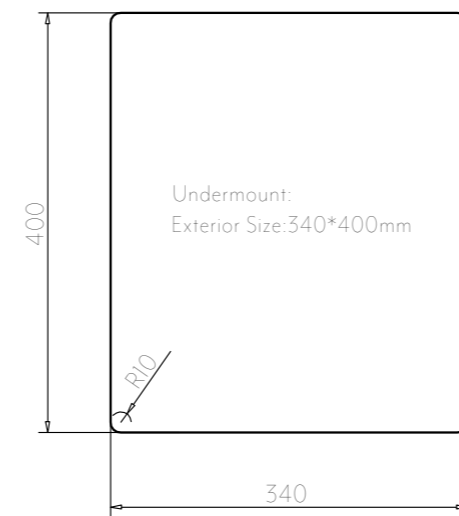
TOPMOUNT INSTALLATION



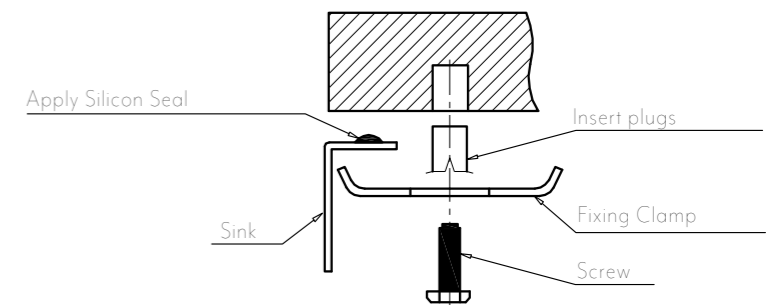
TOPMOUNT INSTALLATION



UNDERMOUNT INSTALLATION



UNDERMOUNT INSTALLATION



Note: Dimensions are nominal measurements only

SPECIFICATIONS

RECOMMENDED USE

Domestic, Commercial

MATERIAL

Stainless Steel

CONSTRUCTION

Soundproofing Layer & 10mm Radius Corners

INSTALLATION

Undermount, Top Mount

OVERFLOW

Yes

WARRANTY

Structure: 25 years | Finish: 5 years

LITRE

Left: 27.2L

Disclaimer: Products in this specification manual must by regulation be installed by licensed and registered trade people. The manufacturer/distributor reserves the right to vary specifications or delete models from their range without prior notification. Dimensions are nominal measurements only. Dimensions and set-outs listed are correct at time of publication however the manufacturer/distributor takes no responsibility for printing errors. All ABI Products are designed in Australia. Copyright ABI Interiors Pty Ltd 2021.

RACK DIMENSIONS

