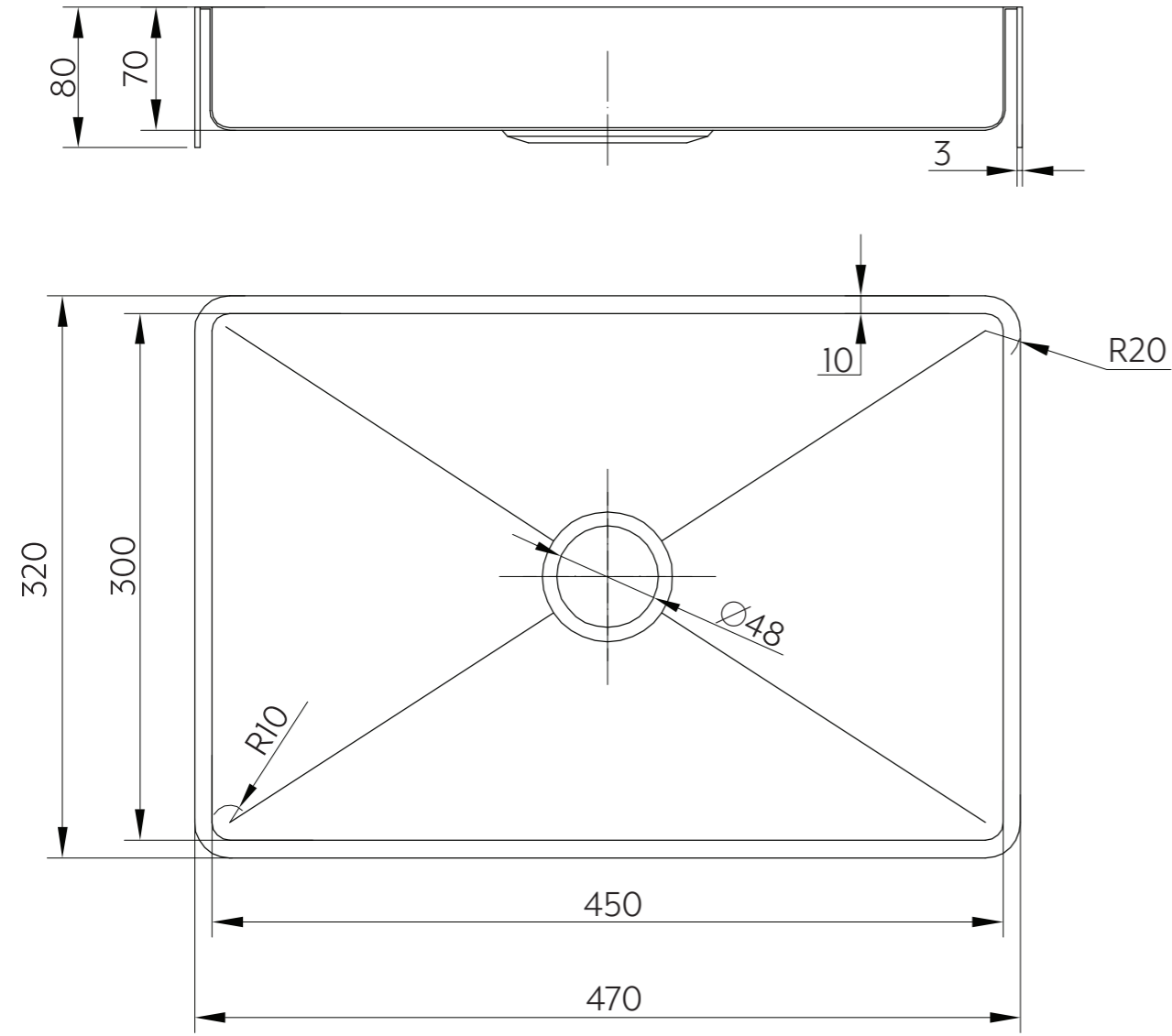


Note: This product must be installed by a licensed tradesperson.

This is a general installation guide - the basin illustrated in the guide may not be that same as your purchased product. There are many factors that are involved that can alter the installation method.

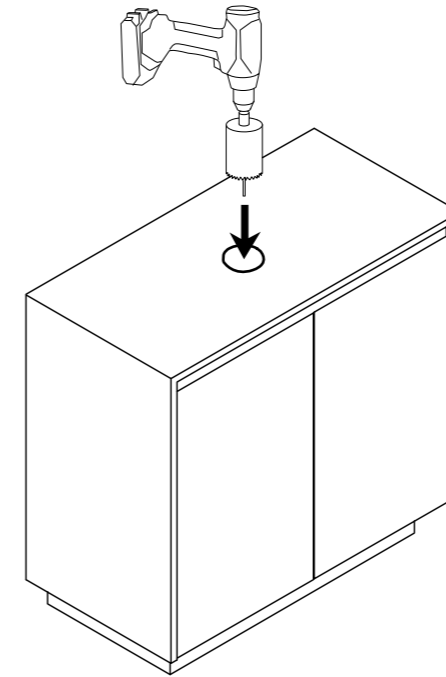


Note: Dimensions are nominal measurements only

SPECIFICATIONS

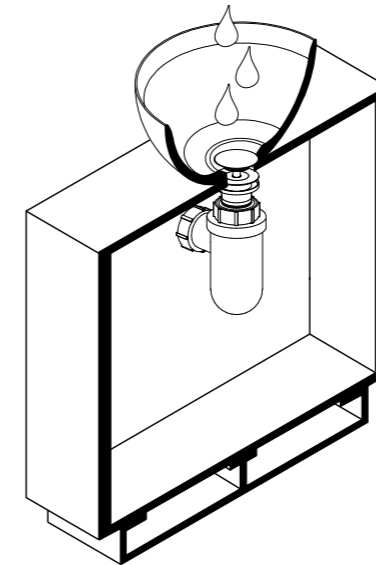
RECOMMENDED USE	Domestic
MATERIAL	Stainless Steel
INSTALLATION	Bench Mount
WARRANTY	Structure: 10 years Finish: 5 years

Disclaimer: Products in this specification manual must by regulation be installed by licensed and registered trade people. The manufacturer/distributor reserves the right to vary specifications or delete models from their range without prior notification. Dimensions are nominal measurements only. Dimensions and set-outs listed are correct at time of publication however the manufacturer/distributor takes no responsibility for printing errors. All ABI Products are designed in Australia. Copyright ABI Interiors 2019.

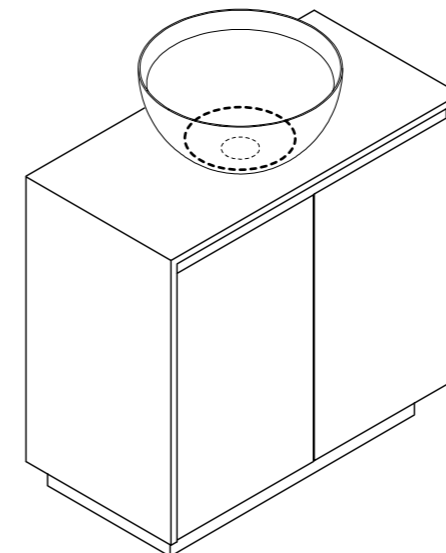


1 Mark out desired location of basin and drill hole for basin waste with a hole saw.

Note: If cutting a stone benchtop it will need to be cut in a controlled environment by a licensed tradesperson as per OH&S regulations.



2 Install pop up waste and attach to plumbing. Test by running water through the waste and pushing the plug down.



3 Silicone basin to vanity benchtop as required.