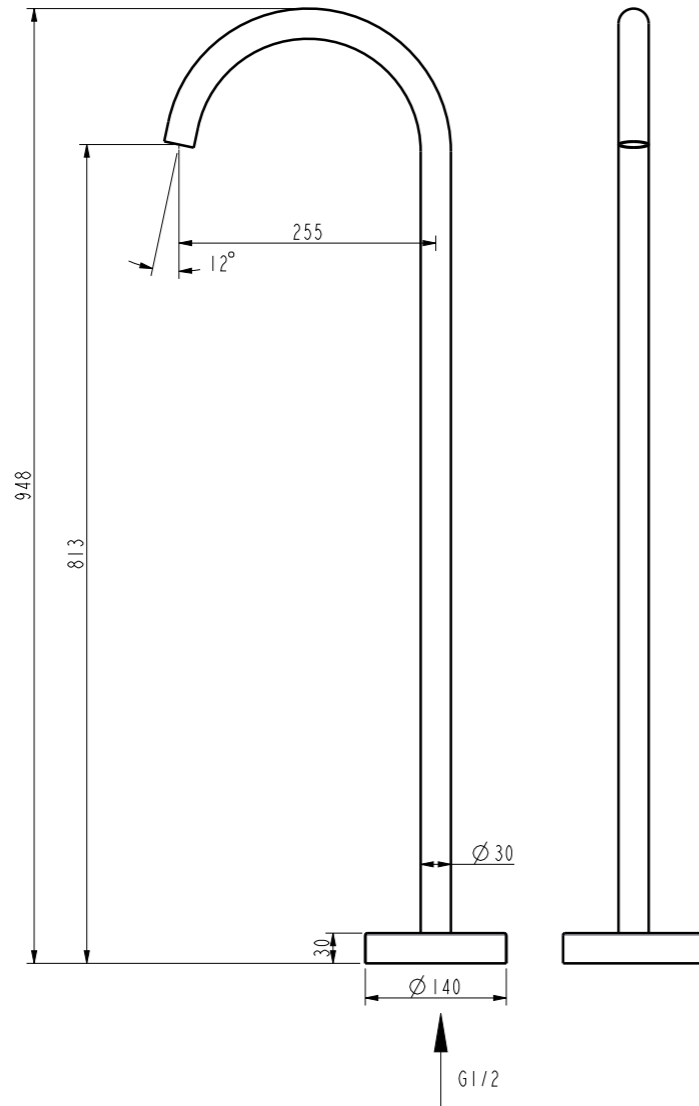


OSCAR FLOOR MOUNTED SPOUT



Note: Dimensions are nominal measurements only

SPECIFICATIONS

RECOMMENDED USE

Domestic

TEMPERATURE RATING

Maximum continuous working temperature 75°C
If the water temperature exceeds 75°C, an approved tempering valve must be fitted

MATERIAL

Solid Brass

WARRANTY

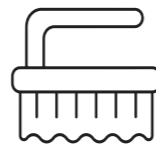
Structure: 25 years | Finish: 5 years



Regularly clean with mild liquid detergent or soap and water



DO NOT use cream cleaners or bleach. These substances are abrasive



DO NOT use cleaning pads with abrasive surfaces as this may scratch the material

INSTALLATION MANUAL

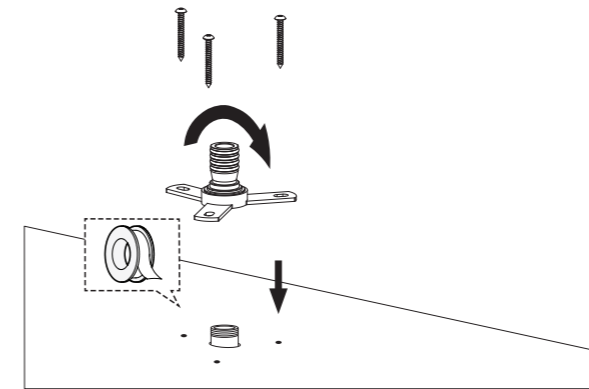
This product must be installed by a qualified plumber.

Installation should comply with relevant local authority requirements.

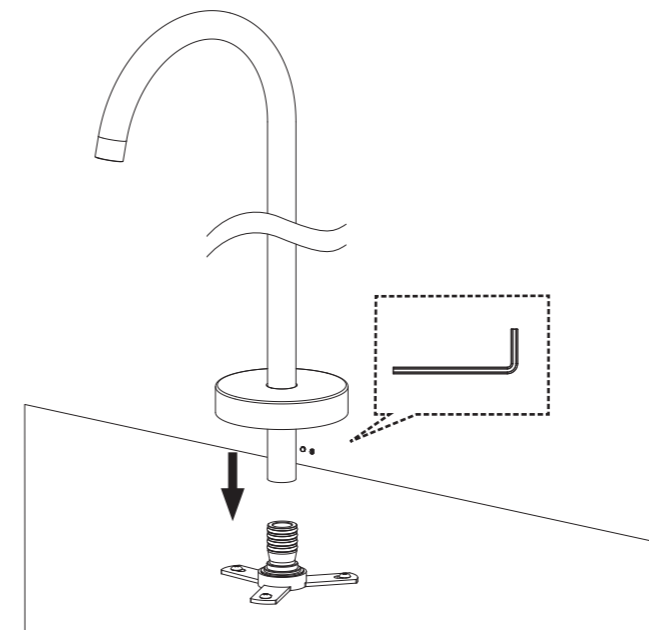
- Maximum hot water temperature 75°C.
- Recommended minimum working pressure 150kpa.
- Recommended maximum working pressure 500kpa.

1 When installing into a solid concrete floor, a chase will need to be cut out of the concrete to rough in the supply pipe. Rough in to spout outlet with a 1/2" Brass thread and cap off until fit-off.

3 Fix bracket to the finished floor firmly using appropriate fixings

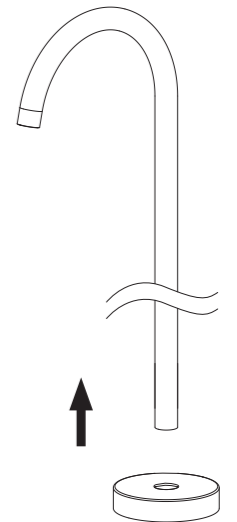


5 Push the spout onto the base plate and tighten the grub screws



2 When the finished floor is complete - cut the brass thread to desired height. Remove the brass fitting and bracket from the spout using supplied allen key.

4 Slide the cover plate onto the spout



6 Turn on the water supply to test for leaks. Push the base plate to the ground

