

Note: Dimensions are nominal measurements only

SPECIFICATIONS

RECOMMENDED USE

Domestic

MATERIAL

Stainless Steel

SUPPLY

12V
50Hz

POWER

15W
CE Certified

IP RATING

IP55

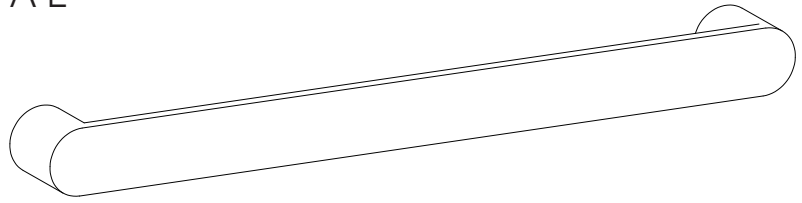
SURFACE TEMPERATURE

40-50 °C

INSTALLATION

Recommended to install no more than 3 heated towel rails per electronic AC transformer (12v – 20w to 60w) excluding matte black and white (no more than 2).
Electrical wired on the right side.

OTTO HEATED TOWEL RAIL INSTALLATION MANUAL



YOU WILL NEED:



2X FIXING
BRACKET



3x LONG
SCREW NAIL



3x PLASTIC
EXPANDER

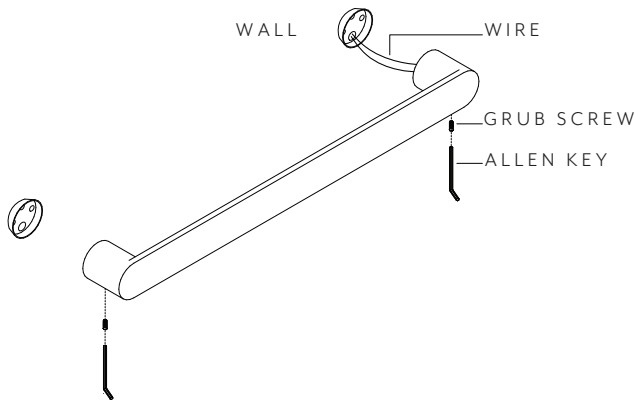


ALLEN KEY



TRANSFORMER

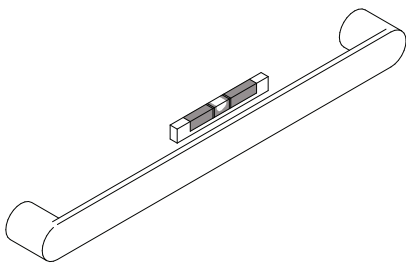
PRODUCT COMPONENTS:



INSTRUCTIONS

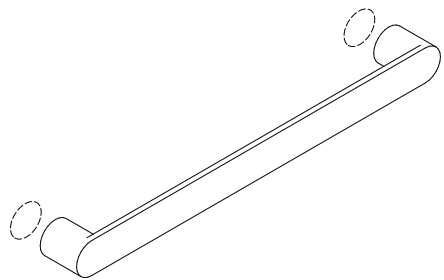
1.

Hold the towel rail against the wall, making the product and level the same as figure shown.



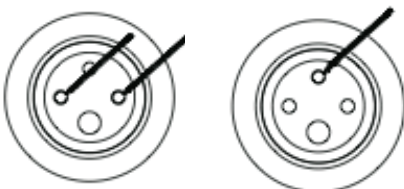
2.

Mark this position on the wall like shown.



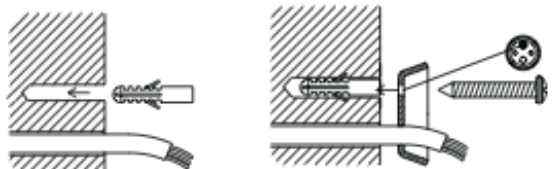
3.

Place the fixing bracket on the circle that was marked in step 2. Use the pencil to draw a small circle as shown below. The power cord is to be fixed on the right side.

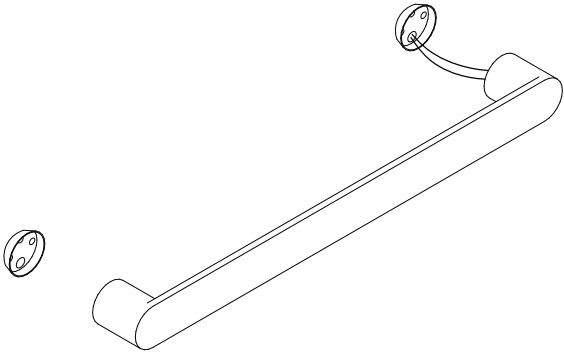


4.

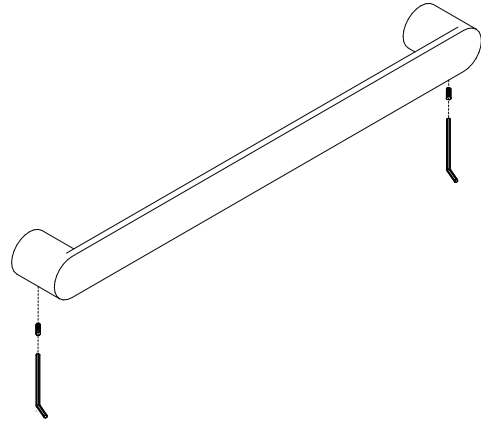
Drill the hole (Diameter: 8mm, Depth 45mm) on the centre of the small circle. Then use a hammer to knock the plastic expander into wall completely. Insert the screw into the plastic expander fixed on the bracket as shown below.



5. Connect the electric cord inside the wall with the cord of the towel rail, put on the waterproof liner, hide the cable inside the product.



6. Use the allen key to fix the towel rail on the bracket, then the installation is finished.



THIS PRODUCT MUST BE INSTALLED BY A LICENCED ELECTRICIAN

SAFETY PRECAUTIONS:

1. This product is only used for drying washable textiles, not suitable for drying silk or synthetic fabrics.
2. This product is not suitable by persons (including children) with reduced physical, sensor mental capabilities, or lack of experience and knowledge. Unless they have been given supervision or instruction concerning use of the appliance by a person responsible for their safety.
3. The product must be connected to a power supply that the rated voltage conforms with the label shown on the product.
4. Do not use the product when the product is damaged.
5. The product must not be powered on until maintenance or cleaning is completed.
6. Any change of or repair to the damaged internal wires must be done by a qualified electrician who is deemed qualified by the industry standard to avoid a hazard. When an external fittings are required the power must be cut off completely
7. Do not immerse the appliance in any liquid.
8. In order to prevent children being hurt by the appliance, the minumum distance of the appliance to the ground when working should not be less than 600mm.
9. Do not install near shower or bathtub or the equivelant.

PLEASE BE CAREFUL!