

Note: Dimensions are nominal measurements only

SPECIFICATIONS

RECOMMENDED USE

Domestic

MATERIAL

Solid Brass



Regularly clean with mild liquid detergent or soap and water



DO NOT use cream cleaners or bleach. These substances are abrasive



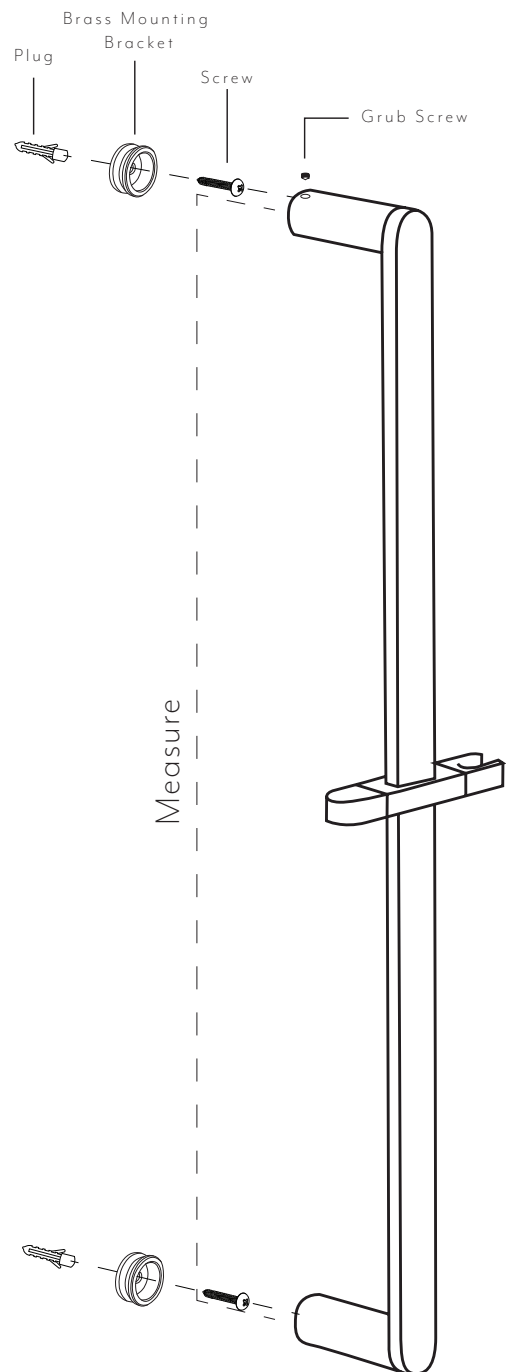
DO NOT use cleaning pads with abrasive surfaces as this may scratch the material

OTTO SHOWER RAIL INSTALLATION MANUAL

For best result in fixing shower rail, fit or install timber noggen in wall at the 'Rough In' stage

SUPPLIED	INSTALLER TO SUPPLY
2x Plugs 2x Screws 1x Allen Key	1x Rubber Mallet

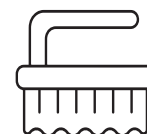
- 1 Measure centre to centre, brass fixing holes in rail
- 2 Measure & mark desired position of the rail on the wall
- 3 Drill holes with masonry drill bit (not on hammer) & fit the plugs using a rubber mallet
- 4 Remove all brass mountings with the supplied allen key
- 5 Screw the brass mountings into the plugs
- 6 Fit shower rail onto the brass mountings to wall using the allen key



Regularly clean with mild liquid detergent or soap and water



DO NOT use cream cleaners or bleach. These substances are abrasive



DO NOT use cleaning pads with abrasive surfaces as this may scratch the material