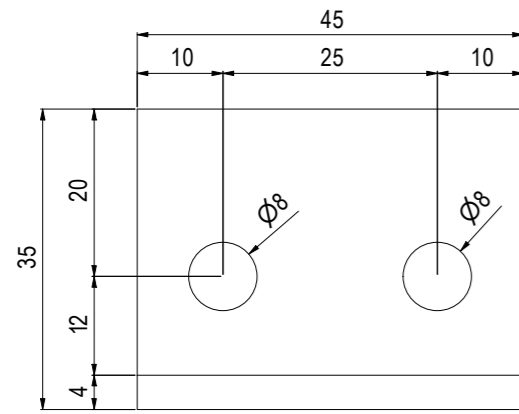
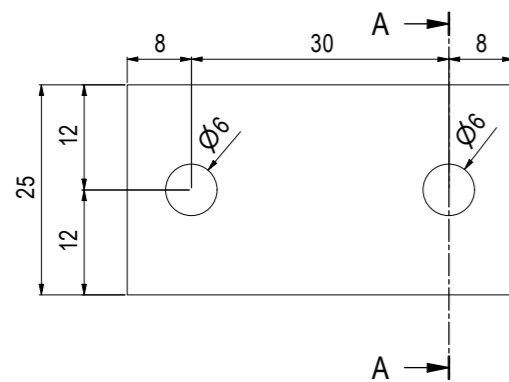


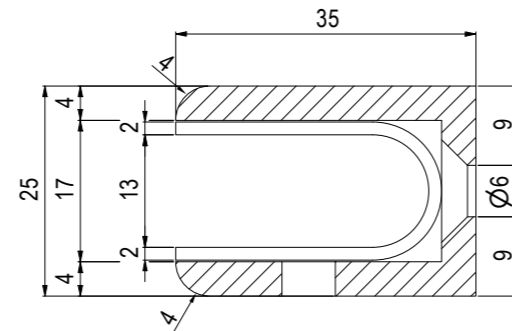
**Note:** This product must be installed by a licensed tradesperson. This is a general installation guide - there are many factors that are involved that can alter the installation method.



Back View



Side View



Section View A-A

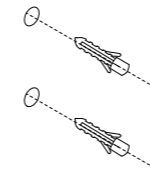
**Note:** Dimensions are nominal measurements only

### SPECIFICATIONS

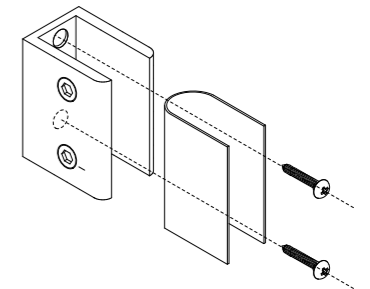
RECOMMENDED USE	Domestic / Commercial
MATERIAL	304 Stainless Steel
GLASS	8-12 mm (no holes required)
INSTALLATION	If glass is less than 12mm - plastic packers or silicone are required (supplied by glazier)
WARRANTY	Residential - Structure: 10 Years   Finish: 5 Year Commercial - Structure: 5 Years   Finish: 1 Year

Disclaimer: Products in this specification manual must by regulation be installed by licensed and registered trade people. The manufacturer/distributor reserves the right to vary specifications or delete models from their range without prior notification. Dimensions are nominal measurements only. Dimensions and set-outs listed are correct at time of publication however the manufacturer/distributor takes no responsibility for printing errors. All ABI Products are designed in Australia. Copyright ABI Interiors Pty Ltd 2021.

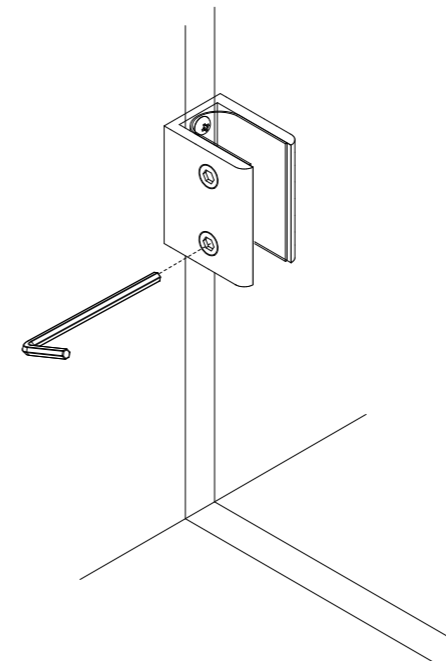
**1** Mark out desired position for clips in relation to shower screen location. Drill holes in desired position and insert wall plugs.



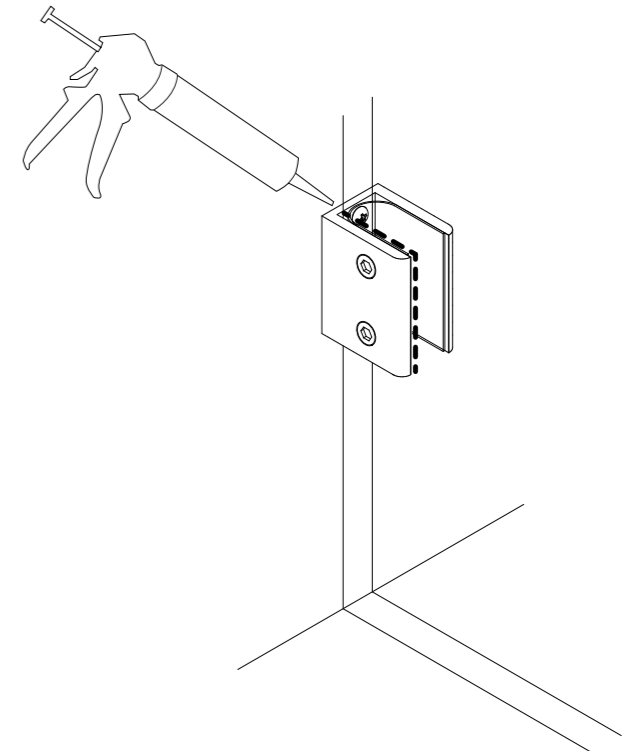
**2** Fix clip to wall through plastic pad using fixings provided.



**3** Install Glass. Tighten grub screws using an allen key. This will clamp the glass to hold it in place.



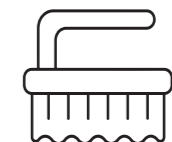
**4** For panels less than 12mm thickness ABI recommends clear rubber packers to be used (supplied by others) or to apply silicone between the clip and glass.



Clean with mild liquid detergent or soap and water



DO NOT use cream cleaners or bleach. These substances are abrasive



DO NOT use cleaning pads with abrasive surfaces as this may scratch the material