

Note: Dimensions are nominal measurements only

SPECIFICATIONS

RECOMMENDED USE

Domestic/Commercial

MATERIAL

Stainless Steel

OUTLET SIZE

76mm - Suitable for 80mm PVC Pipe

WARRANTY

Structure: 5 years | Finish: 2 years



Regularly clean with mild liquid detergent or soap and water



DO NOT use cream cleaners or bleach. These substances are abrasive



DO NOT use cleaning pads with abrasive surfaces as this may scratch the material

INSTALLATION GUIDE

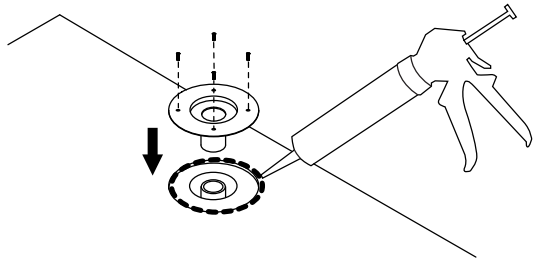


Note: This product must be installed by a licensed tradesperson. This is a general installation guide - there are many factors that are involved that can alter the installation method.

Installation and preparation of shower or bathroom floor as per AS3500 and AS3740.

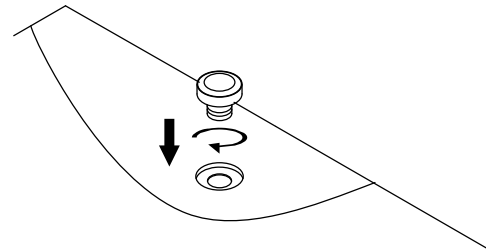
1 Note: The same installation principle applies to either a concrete or timber floor construction.

Allow a recess in the floor at pipe location to accommodate puddle flange, which is siliconed & screwed into position.



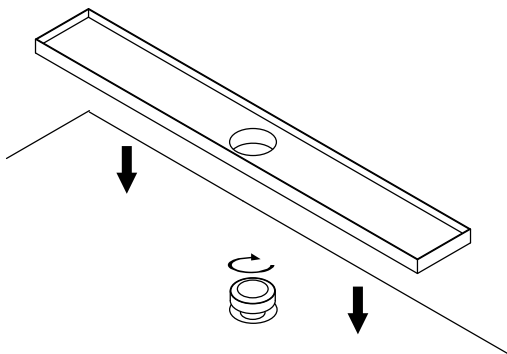
2 After walls & floors are lined & stopjoints are installed, the waterproofing can be applied both on to and in to the puddle flange.

Once waterproofing has adequately set, screw the puddle flange center back into place.

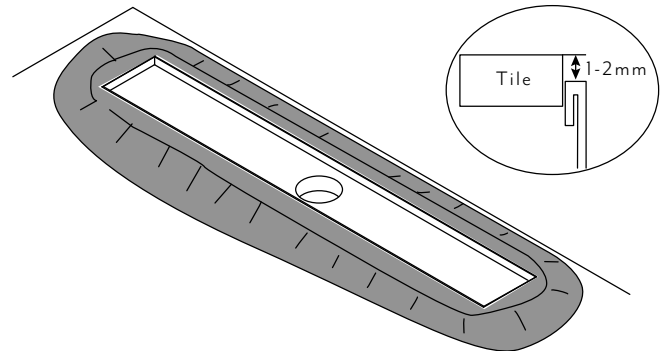


3 Adjust the top of the puddle flange to the finished height required for the shower grate installation.

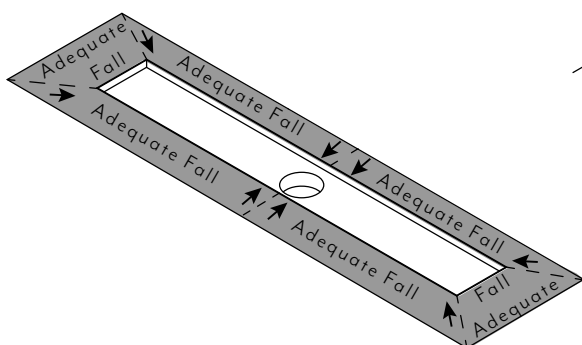
Note: Remove puddle flange decal prior to showergrate installation.



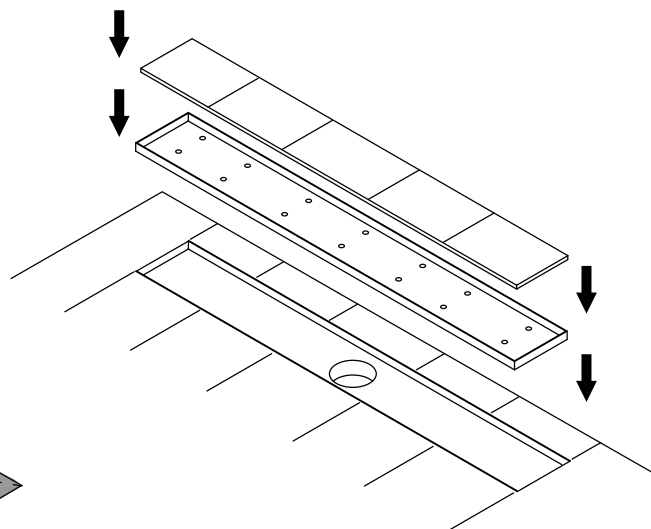
4 Bedding is applied around & underneath the grate. Level around the perimeter of the grate with any excess bedding being scraped away to allow for tile and silicone thickness, so the finished tile height is just above the finished height of the shower grate.



5 The remainder of the sand cement is installed to allow for correct falls down to the drain. Test fall levels prior to tiling in accordance with your local building standards.



6 Lay tiles into insert tray and fit tray into base.



EXPLODED INSTALL VIEW

Note: This product must be installed by a licensed tradesperson. This is a general installation guide - there are many factors that are involved that can alter the installation method.

Installation and preparation of shower or bathroom floor as per AS3500 and AS3740.



Model Numbers

10461 Pixi Shower Channel Smart Waste - 900mm - Brushed Copper

10462 Pixi Shower Channel Smart Waste - 900mm - Brushed Brass

10463 Pixi Shower Channel Smart Waste - 900mm - Stainless Steel

11572 Pixi Shower Channel Smart Waste - 900mm - Brushed Gunmetal

