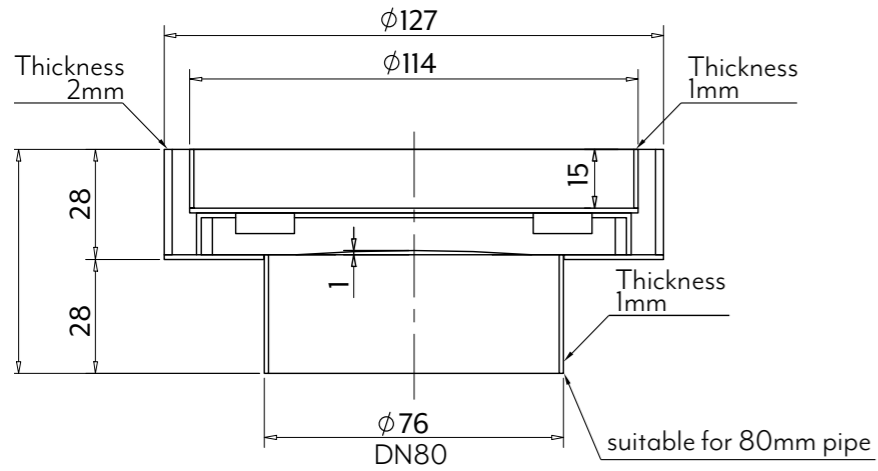
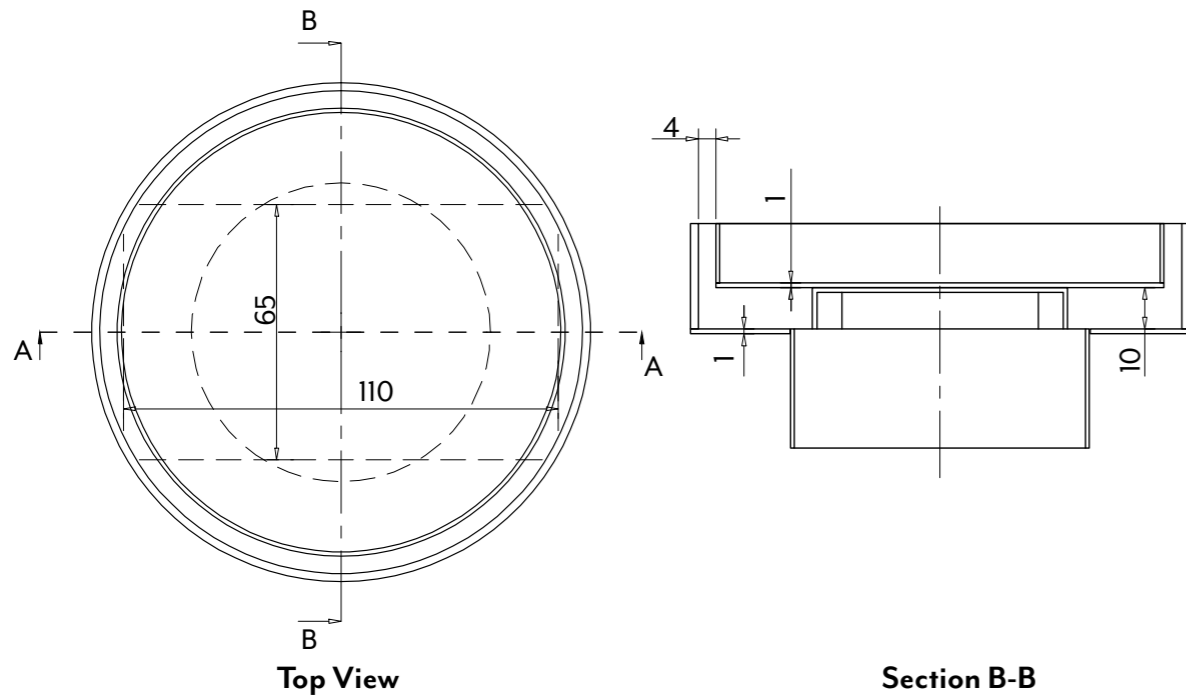




PIXI ROUND FLOOR WASTE



Section A-A



Top View

Section B-B

Note: Dimensions are nominal measurements only

SPECIFICATIONS

RECOMMENDED USE

Domestic/Commercial

MATERIAL

Stainless Steel

OUTLET SIZE

Suitable for 80mm PVC Pipe

WARRANTY

Structure: 10 years | Finish: 5 years

INSTALLATION GUIDE

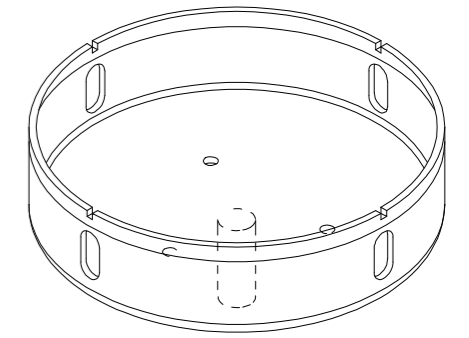
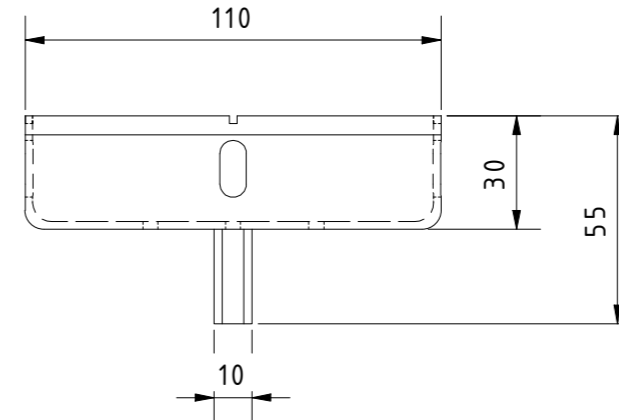
Note: **ABI** recommends the installation be carried out with the following sized diamond hole saws.

HOLE SAWS ARE NOT INCLUDED WITH WASTE

Available as a set of two for purchase either in-store or via our website.

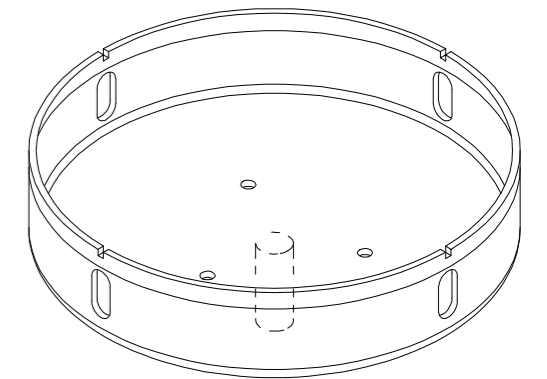
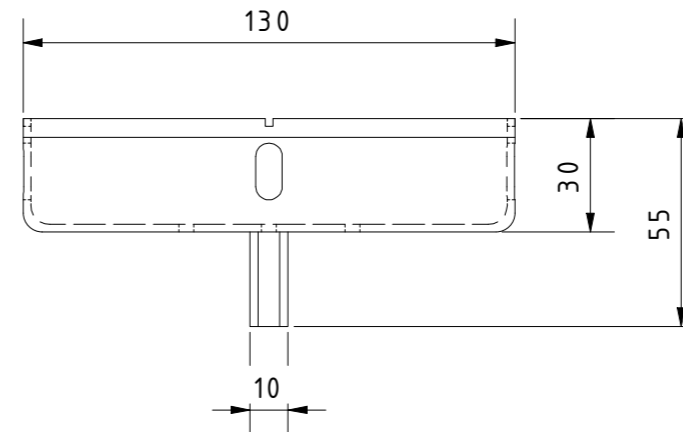
110mm Diamond Hole Saw

SKU: 12343



130mm Diamond Hole Saw

SKU: 12342



INSTALLATION GUIDE

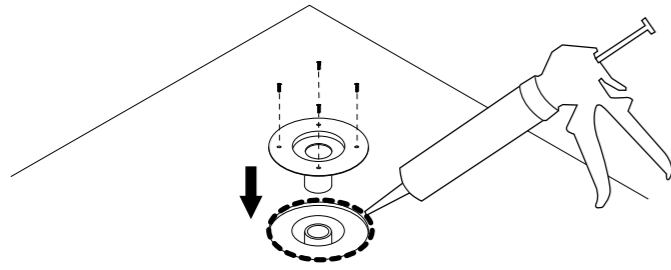


Note: This product must be installed by a licensed tradesperson. This is a general installation guide - there are many factors that are involved that can alter the installation method.

Installation and preparation of shower or bathroom floor as per AS3500 and AS3740.

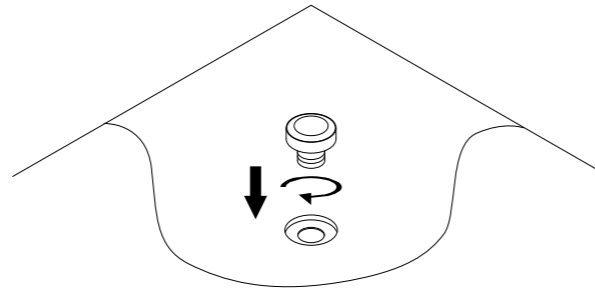
- 1 Note: The same installation principle applies to either a concrete or timber floor construction.

Allow a recess in the floor at pipe location to accommodate puddle flange, which is siliconed & screwed into position.



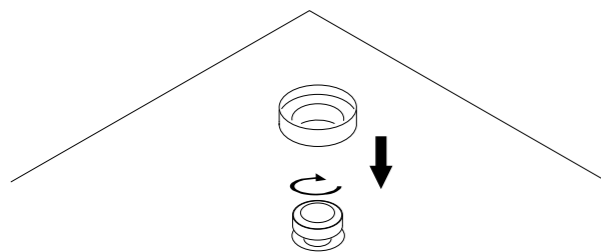
- 2 After walls & floors are lined & stop joints are installed, the waterproofing can be applied both on to and in to the puddle flange.

Once waterproofing has adequately set, screw the puddle flange center back into place.

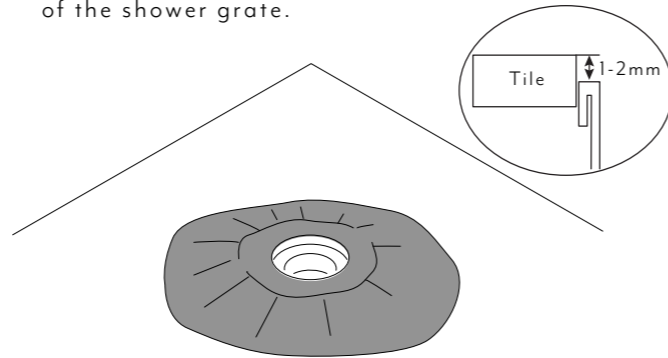


- 3 Adjust the top of the puddle flange to the finished height required for the shower grate installation.

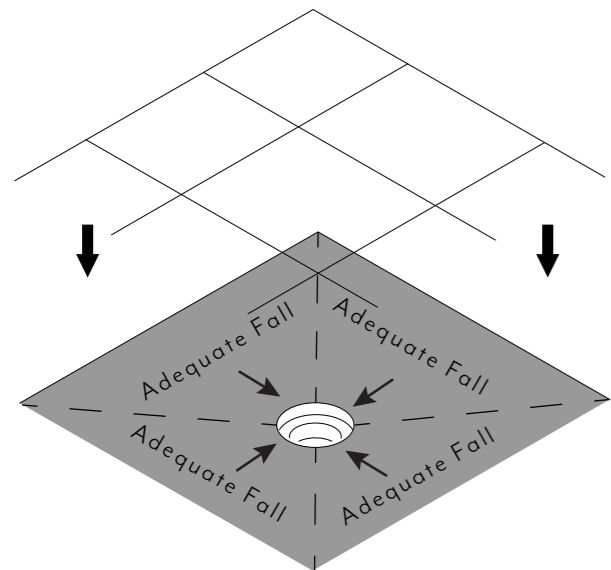
Note: Remove puddle flange decal prior to shower grate installation.



- 4 Bedding is applied around & underneath the waste. Level around the perimeter of the waste with any excess bedding being scraped away to allow for tile and silicone thickness, so the finished tile height is just above the finished height of the shower grate.

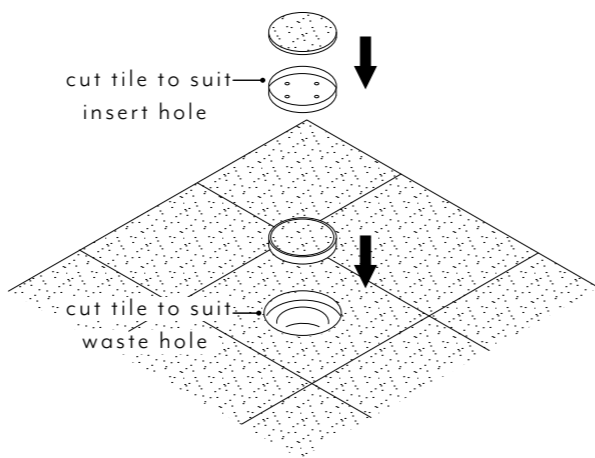


- 5 The remainder of the sand cement is installed to allow for correct falls down to the drain. Begin to lay the tiles over the prepared bedding course. Test fall levels prior to tiling in accordance with your local building standards.



- 6 Using a diamond hole saw cut a hole into a tile for the waste hole & cut a hole out of another tile to create a tile insert to be fitted into top of waste.

Mount top of waste into base of the waste.



EXPLODED INSTALL VIEW

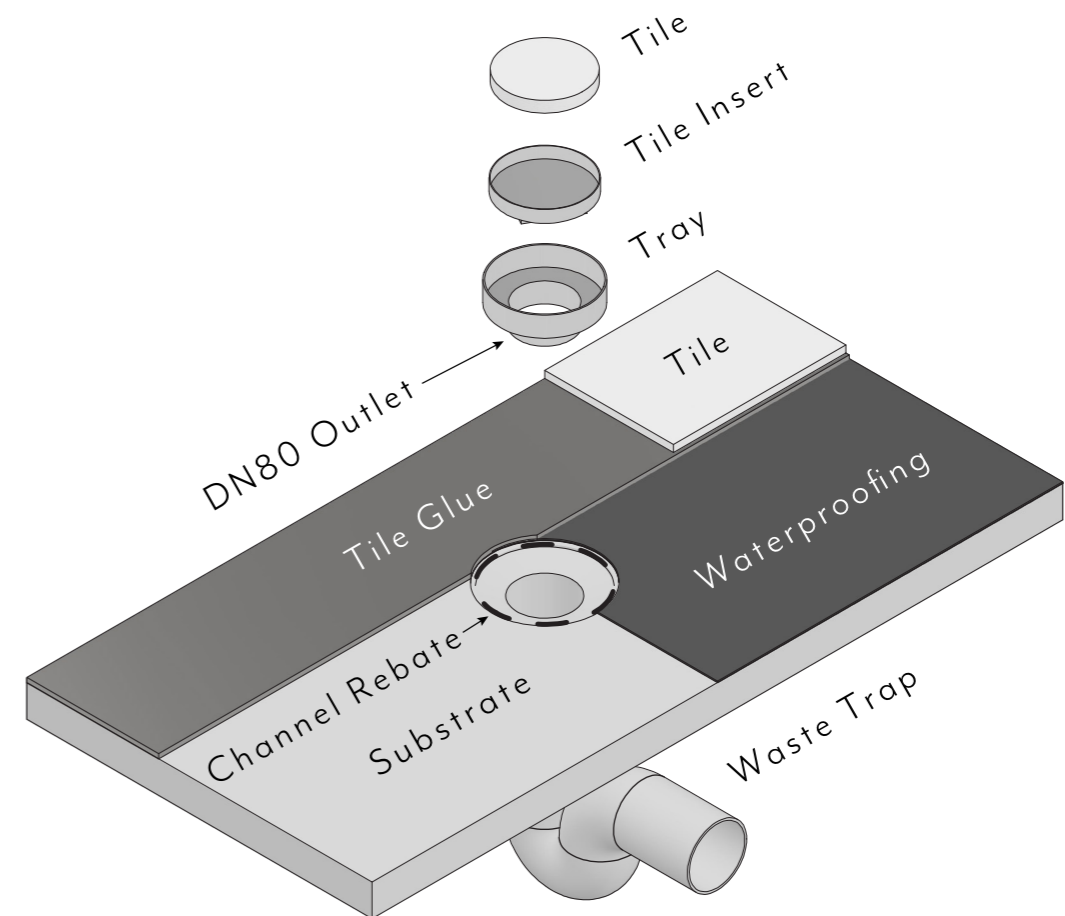


Note: This product must be installed by a licensed tradesperson. This is a general installation guide - there are many factors that are involved that can alter the installation method.

Installation and preparation of shower or bathroom floor as per AS3500 and AS3740.

Model Numbers

- 12353 Pixi Round - Tile Insert Floor Waste - Brushed Gunmetal - MD6126
- 12350 Pixi Round - Tile Insert Floor Waste - Brushed Brass - MD6126
- 12351 Pixi Round - Tile Insert Floor Waste - Stainless Steel - MD6126
- 12352 Pixi Round - Tile Insert Floor Waste - Brushed Copper - MD6126



IN THE BOX		1x Shower grate top
		1x Shower grate