

Note: Dimensions are nominal measurements only

SPECIFICATIONS

RECOMMENDED USE

Domestic

MATERIAL

Acrylic - Matte White

DIMENSION

W740 | L1510 | H585

WEIGHT

55kg

CAPACITY

245 Litres

OVERFLOW

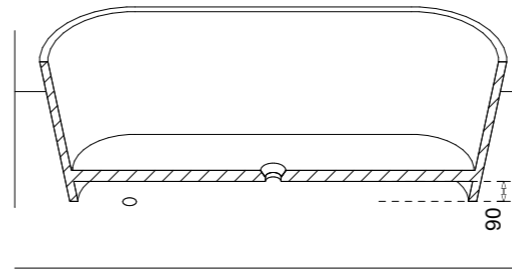
Yes

Disclaimer: Products in this specification manual must by regulation be installed by licensed and registered trade people. The manufacturer/distributor reserves the right to vary specifications or delete models from their range without prior notification. Dimensions are nominal measurements only. Dimensions and set-outs listed are correct at time of publication however the manufacturer/distributor takes no responsibility for printing errors. All ABI Products are designed in Australia. Copyright ABI Interiors Pty Ltd 2021.

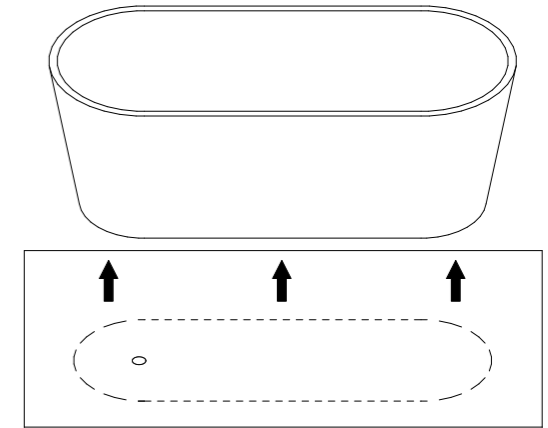
GENERAL BATH INSTALLATION GUIDE

Note: This product must be installed by a licensed trade
This is a general installation guide - there are many factors that are involved that can alter the installation method.

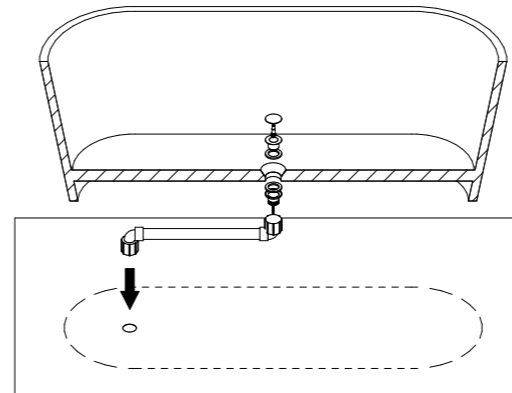
1 Allow for 90mm clearance from the underside of bath to floor.



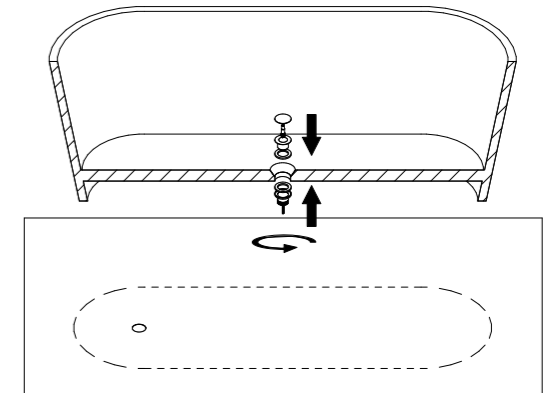
2 Mark position of bath to determine length of drainage from floor waste to bath outlet.



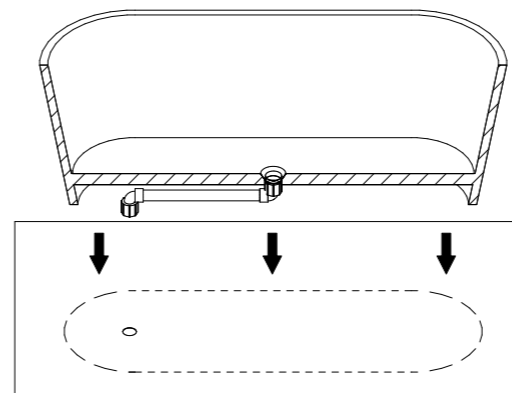
3 Plan out drainage connection to floor waste & alter if necessary.



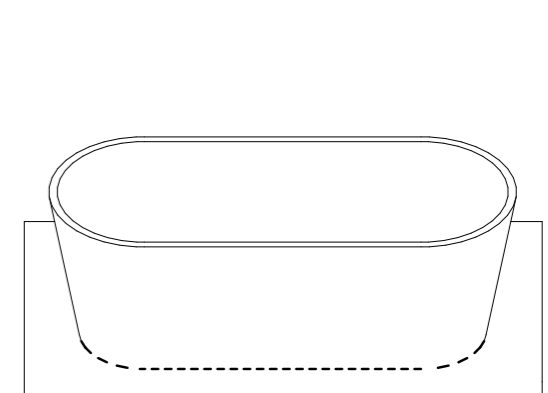
4 Fit plug waste into bath outlet, seal & tighten as required.



5 Fit out drainage connection to underside of bath. Position bath & connect drainage to floor waste.



6 Silicone around base of bath if necessary.



Regularly clean with mild liquid detergent or soap and water



DO NOT use cream cleaners or bleach. These substances are abrasive



DO NOT use cleaning pads with abrasive surfaces as this may scratch the material