

**Note:** Dimensions are nominal measurements only

## SPECIFICATIONS

### RECOMMENDED USE

Domestic

### CONSTRUCTION

Solid Brass

### MOUNTING HARDWARE INCLUDED

Yes

### SCREW / BOLT TYPE

M3\*14/16/18mm

### MOUNTS FROM

Top & Side

### HOLE DISTANCE

32mm (centre to centre)

## INSTALLATION GUIDE

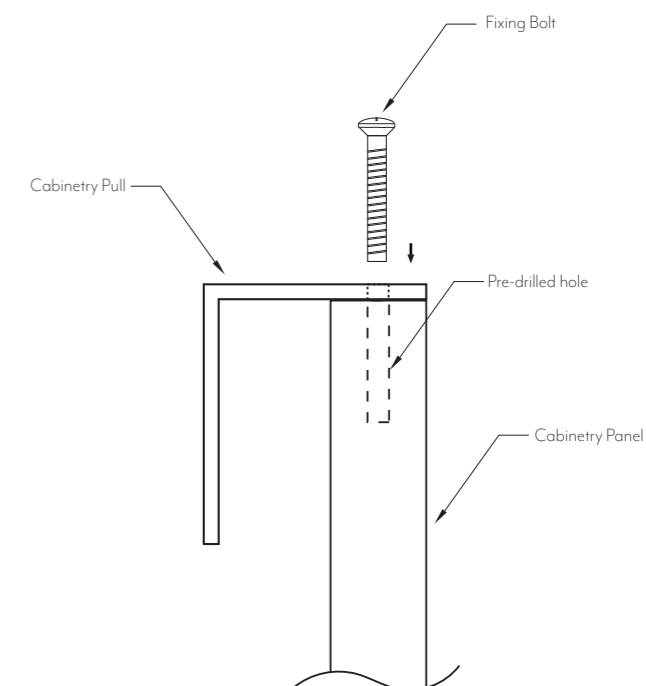
Open and inspect the item for any shipping damages. If you find damages, please contact our customer service team on (07) 5520 2775 or alternatively email sales@abi-international.com.au

We recommend a qualified tradesperson to install ABI fixtures. ABI accepts no liability for any damage to the drawer or cabinet and personal injury during installation.

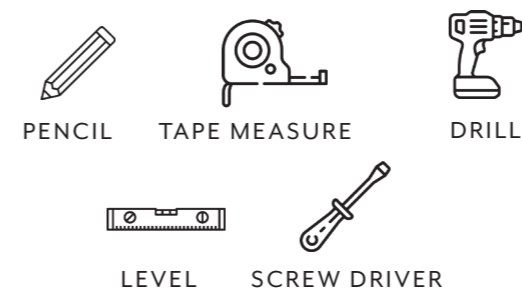
This is a general install guide - there are many factors that are involved that can alter the installation method.

## INSTALLATION PROCEDURE

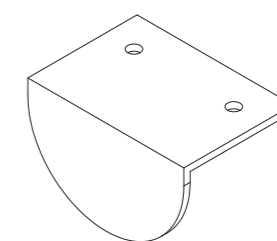
1. Determine the position of the cabinetry pull.
2. Use the tape measure to find the center of the cabinetry panel (if you are installing only one pull), or divide your cabinetry panel into quarters or a placement you prefer (if you are installing two pulls on the cabinetry panel).
3. Position back edge of handle flush with back face of cabinetry panel
4. Use the pencil to mark the centre of the holes
5. Drill out the centre of marked holes with a 2mm drill bit, 15mm deep.
6. Position the pull to the cabinetry and use the screw driver to tighten the bolt.



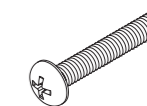
## TOOLS AND MATERIALS



## IN THE BOX



1x Cabinetry Pull



2x Fixing Bolt



Regularly clean with mild liquid detergent or soap and water



DO NOT use cream cleaners or bleach. These substances are abrasive



DO NOT use cleaning pads with abrasive surfaces as this may scratch the material