

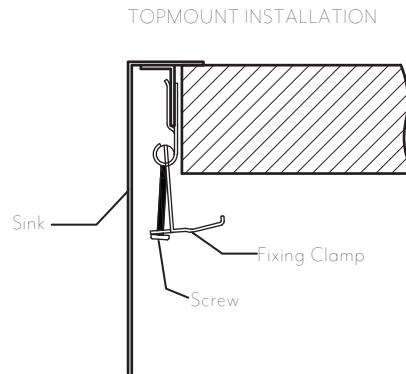
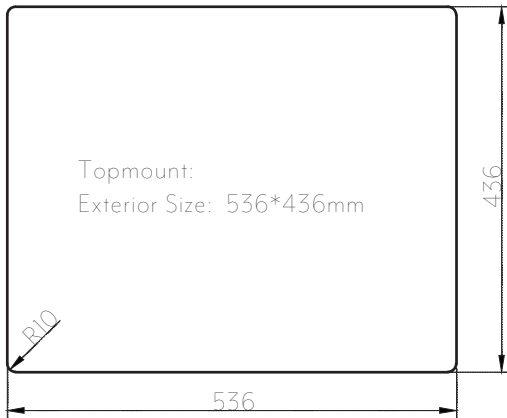
INSTALLATION

ABI will not be held responsible for any damage caused by leakage or faulty installation.
ABI has a strict quality controlling process however please check the sink prior to installation.
Please ensure proper care is taken during installation to avoid scratching the Stainless Steel.

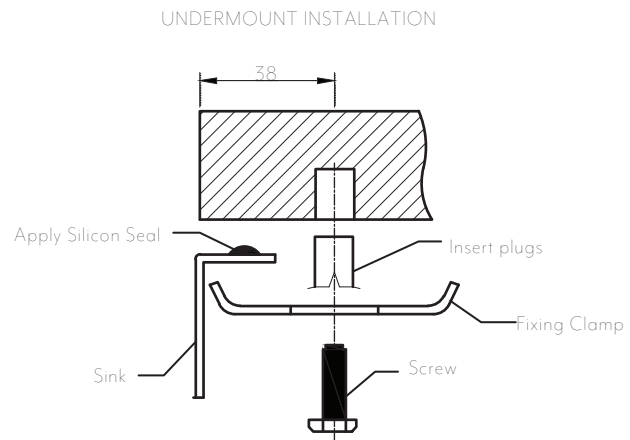
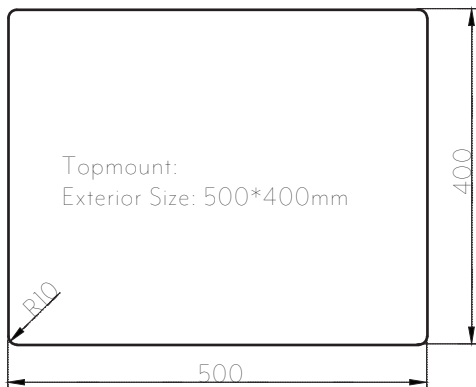


CUT-OUT TEMPLATES

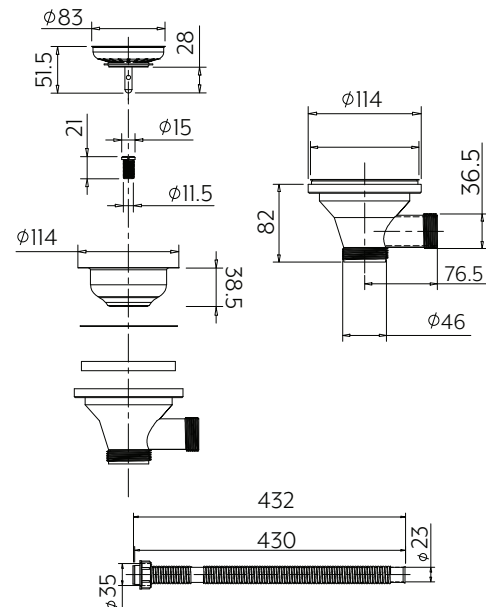
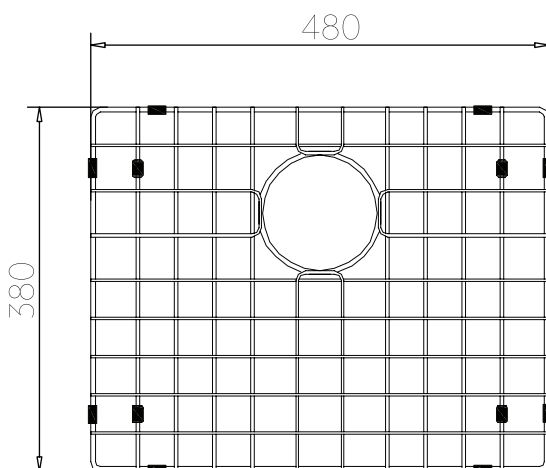
TOP MOUNT INSTALLATION



UNDERMOUNT INSTALLATION



RACK DIMENSIONS

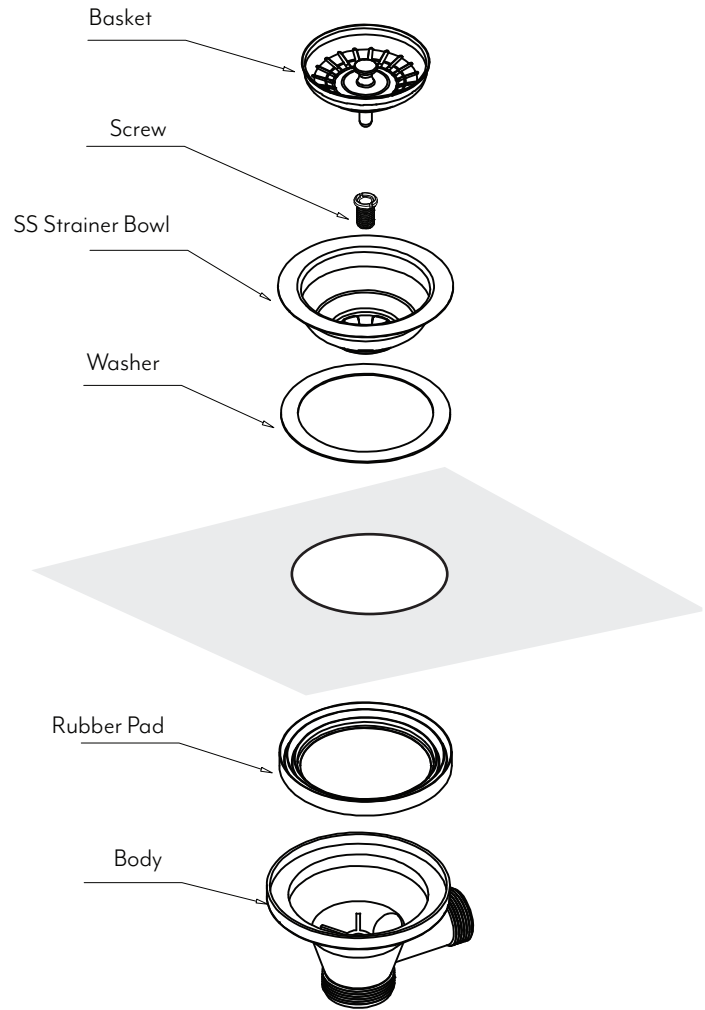
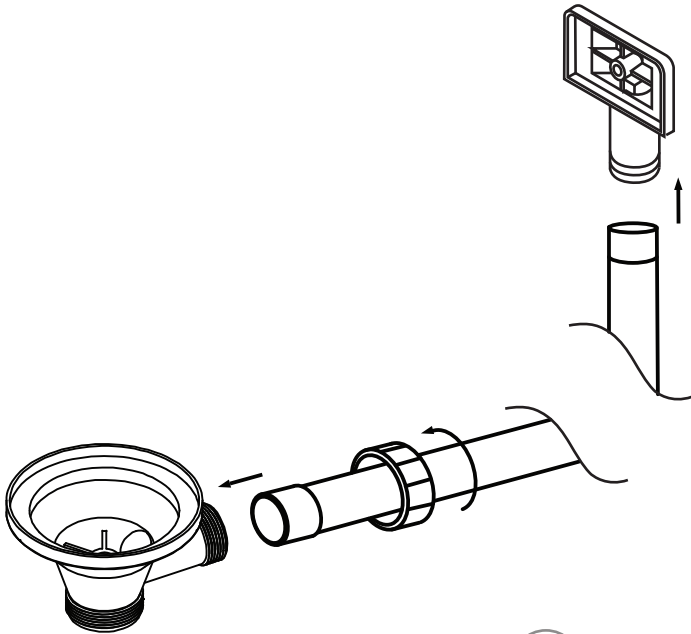


INSTALLATION GUIDE

DIAGRAM 1

- 1 Disassemble the basket waste and install into sink. Washer & SS Strainer bowl should be installed from the top. Rubber pad and body to be on the underside of the sink - tighten screw to fix parts together. Add Basket (Diagram 1)

- 2 Connect the flexible pipe to the body and screw on fitting to tighten. Push pipe onto the overflow fitting -pushing as far as possible



- 3 Add rubber seal into the overflow fitting, line up with hole and place on outside of sink. Tighten screw to fix parts together.

