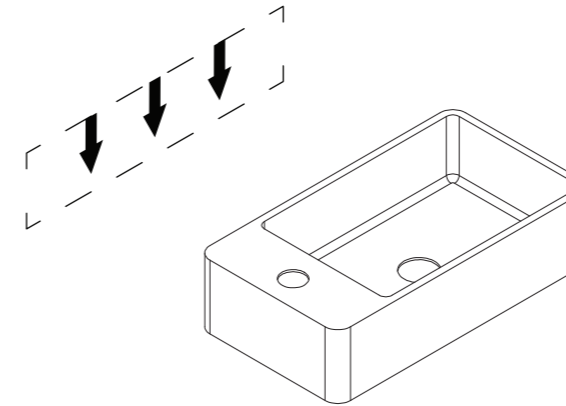


INSTALLATION GUIDE

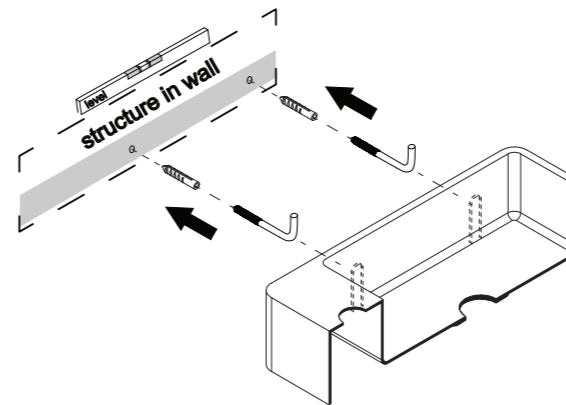
Note: This product must be installed by a licensed plumber. This is a general installation guide - there are many factors that are involved that can alter the installation method. This product install must comply with AS/NZS 3500.

1 Check the desired height of basin from floor.

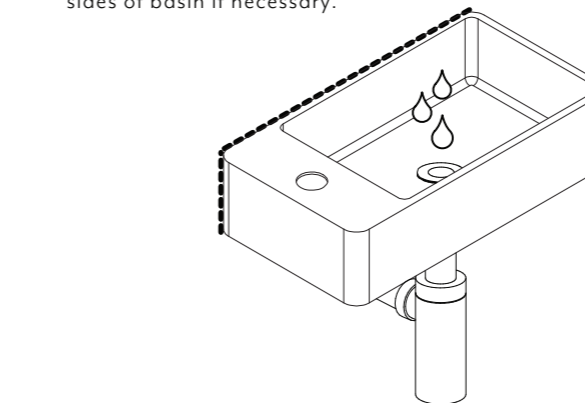


3 Drill holes into structure within walls with a wood drill bit and insert fixings. Hook basin onto square bend hooks.

Note: Wall plugs only required for masonry walls.



5 Secure plumbing to basin and wall outlet. Test by running water through the waste. Silicone top and sides of basin if necessary.

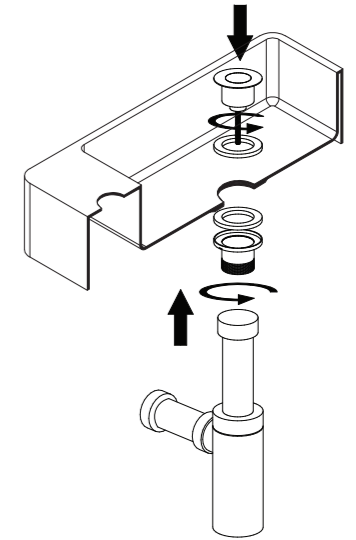


Regularly clean with mild liquid detergent or soap and water



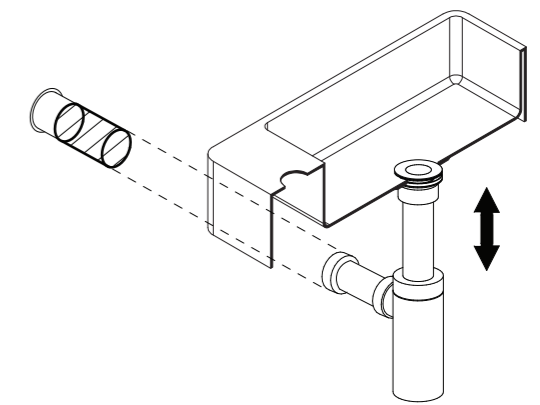
2 Fit waste and trap to basin.

Note: ensure trap can reach waste pipe.



4 Extend telescopic trap to reach waste pipe. Adjust trap up or down to find desired height & cut waste to suit trap.

Note: Bottle trap & water tap hose are not able to be concealed under basin.

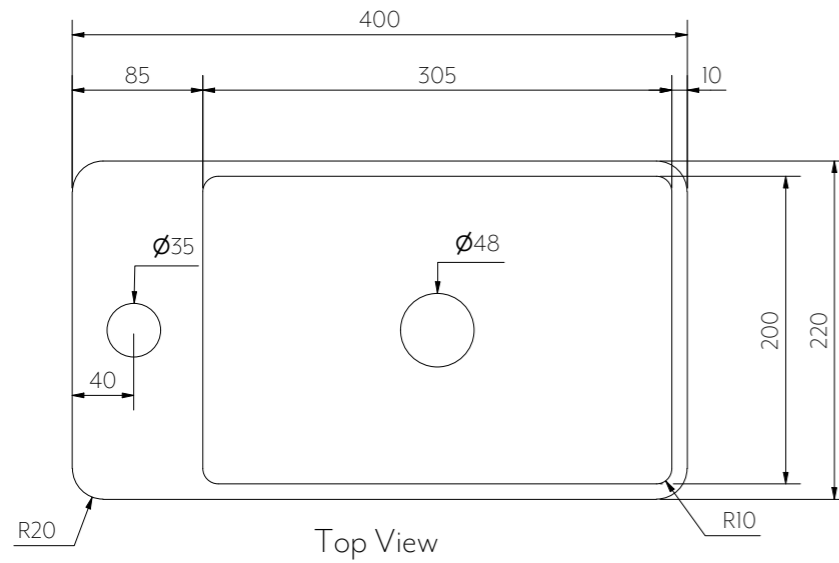


| | | |
|------------|--|-----------------------|
| IN THE BOX | | 2 x Masonry wall plug |
| | | 2 x Square bend hook |
| | | 1 x Basin |

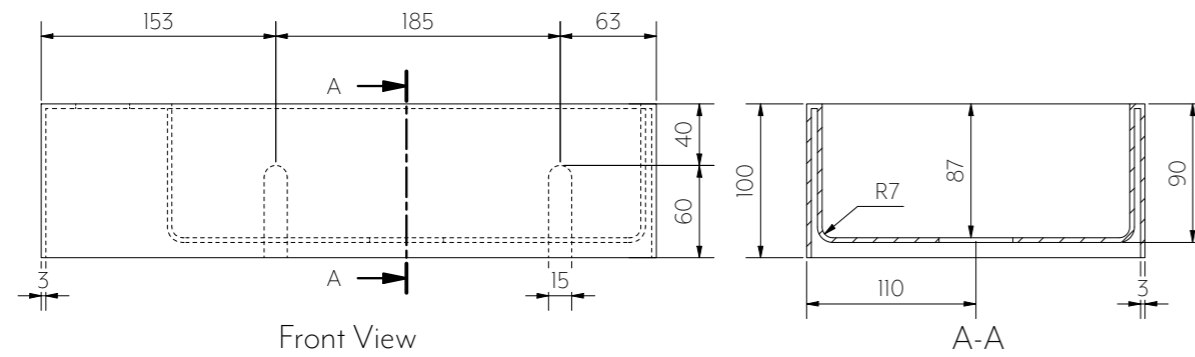
DO NOT use cream cleaners or bleach. These substances are abrasive



DO NOT use cleaning pads with abrasive surfaces as this may scratch the material



Top View



Front View

Note: Dimensions are nominal measurements only

SPECIFICATIONS

RECOMMENDED USE

Domestic

MATERIAL

Stainless Steel

INSTALLATION

Wall Mount

OVERFLOW

No

CAPACITY

5.5L

RIM THICKNESS

10mm

COMPATIBLE WITH

Bench Mount Mixer/Spout
Note: Water tap hoses are not able to be concealed under basin.