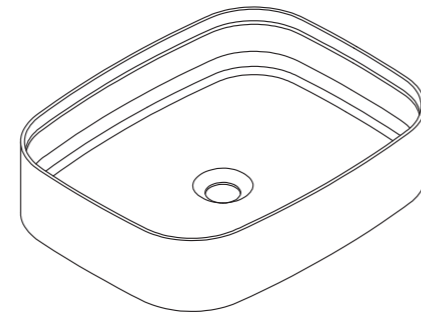
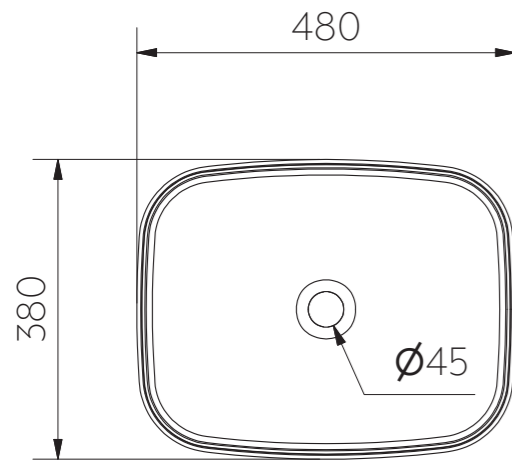


# SOFIA BASIN SINK



Isometric View



Top View



Side View

**Note:** Dimensions are nominal measurements only

## SPECIFICATIONS

### RECOMMENDED USE

Domestic

### MATERIAL

Solid Surface

### INSTALLATION

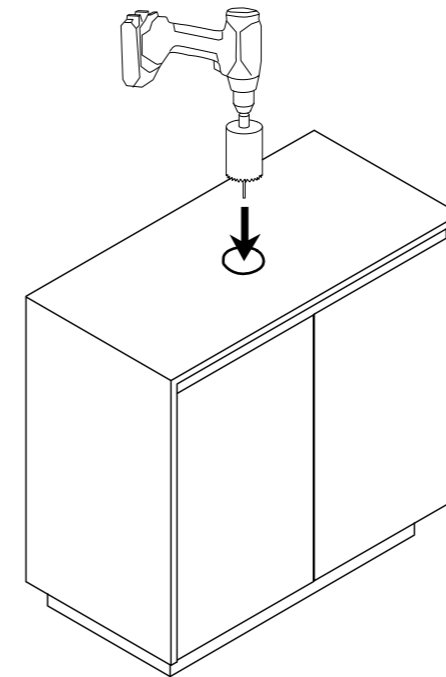
Bench Mount

Disclaimer: Products in this specification manual must by regulation be installed by licensed and registered trade people. The manufacturer/distributor reserves the right to vary specifications or delete models from their range without prior notification. Dimensions are nominal measurements only. Dimensions and set-outs listed are correct at time of publication however the manufacturer/distributor takes no responsibility for printing errors. All ABI Products are designed in Australia. Copyright ABI Interiors Pty Ltd 2021.

## INSTALLATION GUIDE

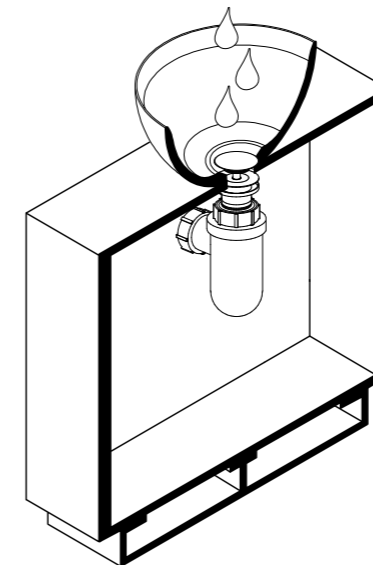
**Note:** This product must be installed by a licensed tradesperson.

This is a general installation guide - the basin illustrated in the guide may not be the same as your purchased product. There are many factors that are involved that can alter the installation method.

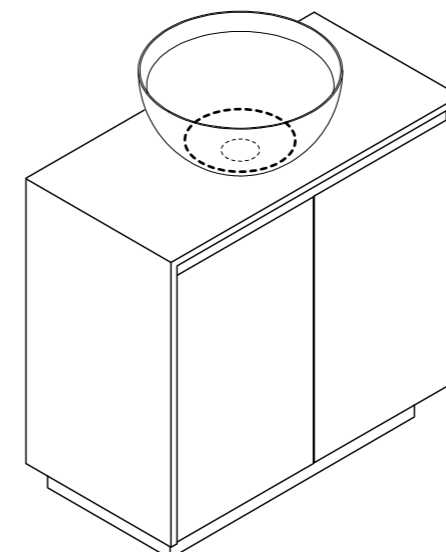


**1** Mark out desired location of basin and drill hole for basin waste with a hole saw.

**Note:** If cutting a stone benchtop it will need to be cut in a controlled environment by a licensed tradesperson as per OH&S regulations.



**2** Install pop up waste and attach to plumbing. Test by running water through the waste and pushing the plug down.



**3** Silicone basin to vanity benchtop as required.