

Front View

Side View

Note: Handle kit not included with in-wall

Note: Dimensions are nominal measurements only

Disclaimer: To achieve **infiniti** (interchangeable sleeves) the in-wall component must be installed **without sleeve attached**, please ensure your chosen sleeve doesn't break your waterproofing seal.

SPECIFICATIONS	
RECOMMENDED USE	Domestic
CONSTRUCTION	Stainless Steel 316
PRESSURE RATING	Recommended minimum working pressure 150kPa Recommended maximum working pressure 500kPa Hot and cold water inlet pressure should be equal
TEMPERATURE RATING	Maximum continuous working temperature 75°C If the water temperature exceeds 75°C, an approved tempering valve must be fitted
STANDARDS	AS/NZS 3718:2005, WM-022852

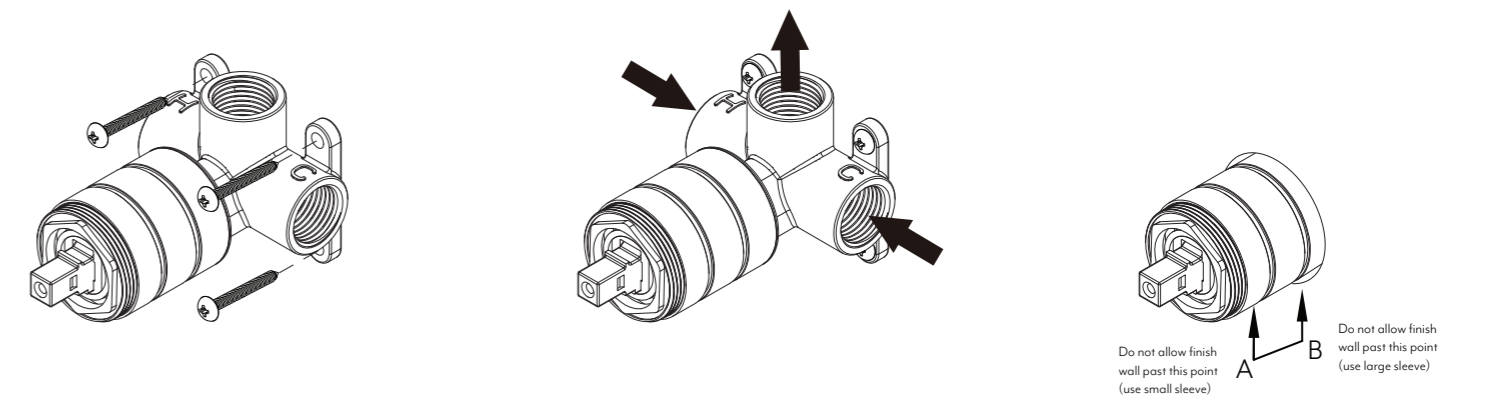
Disclaimer: Products in this manual must by law be installed by licensed and registered tradespeople in accordance with the relevant standards. ABI and the manufacturer/distributor reserve the right to vary specifications or delete models from their range without prior notification. Dimensions are nominal measurements only. The information listed is correct at the time of publication, however ABI and the manufacturer/distributor takes no responsibility for printing errors. Copyright © ABI Interiors 2021.

INSTALLATION GUIDE

Note: This product must be installed by a licensed plumber. This is a general installation guide - there are many factors that are involved that can alter the installation method. This product install must comply with AS/NZS 3500.

ROUGH IN

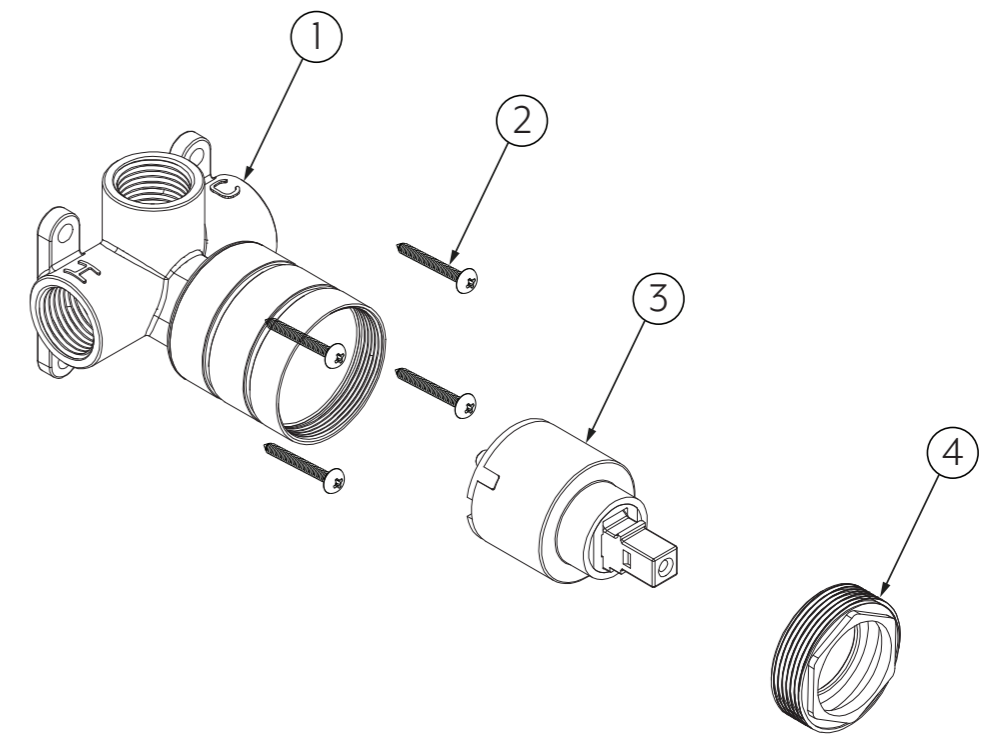
- Fasten screws to secure the wall mixer into wall structure.
- Attach water supply and water outlet. TEST AND CHECK FOR LEAKS.
- Drill a 47mm hole in wall. Waterproof at this point if future sleeve change is desired. DO NOT WATERPROOF SLEEVE. Please ensure that the hole is big enough to allow for the sleeve to slide on at fit-off stage.

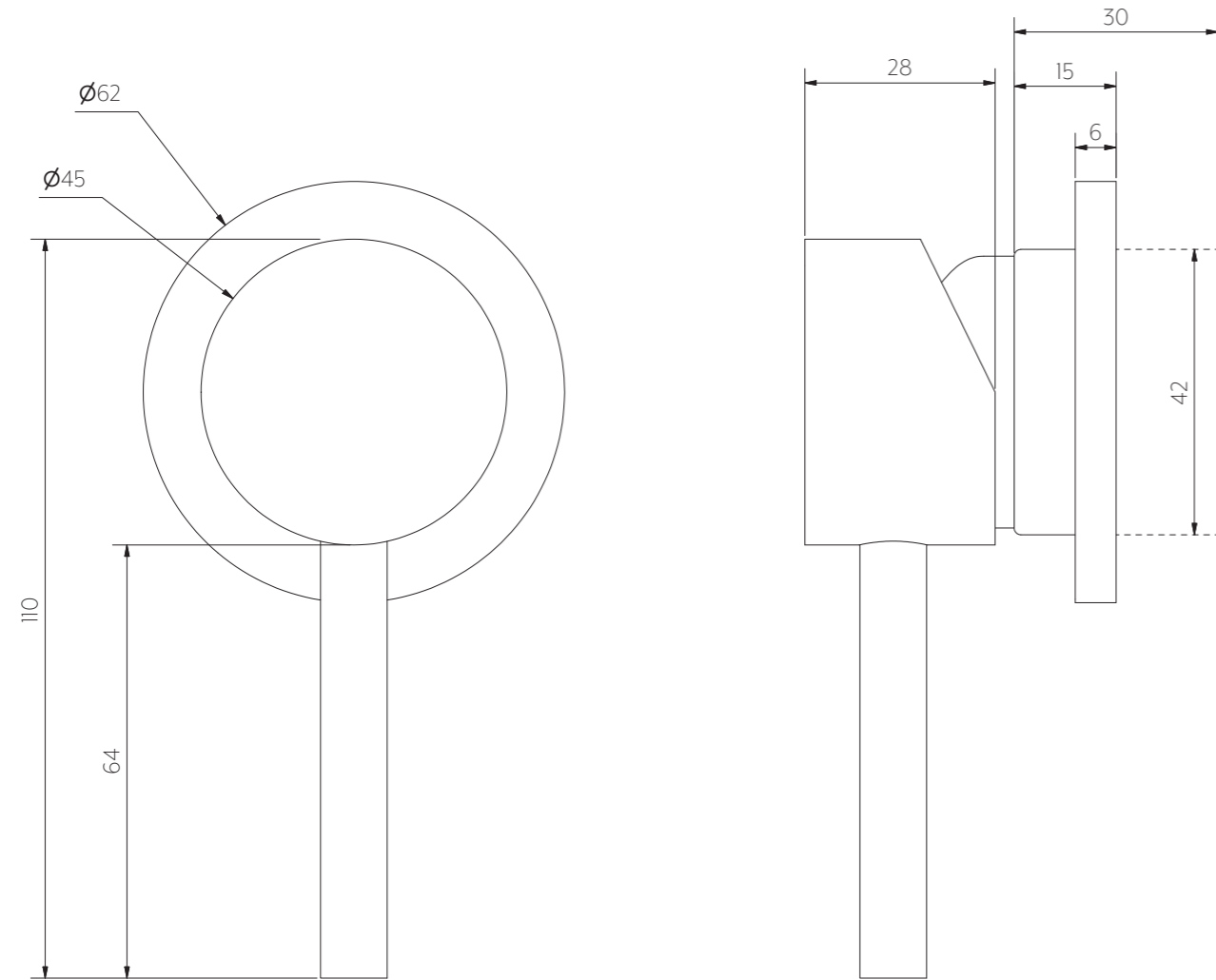


Note: For handle kit installation guide please refer to their respective install guide. This can be found on our website.

IN THE BOX (IN-WALL)

- Body
- Fixing Screws
- Cartridge
- Locking nut





Front View

Side View

Note: In-wall not included in handle kit

Note: Dimensions are nominal measurements only

SPECIFICATIONS

RECOMMENDED USE

Domestic

MATERIAL

Stainless Steel 316

Disclaimer: Products in this manual must by law be installed by licensed and registered tradespeople in accordance with the relevant standards. ABI and the manufacturer/distributor reserve the right to vary specifications or delete models from their range without prior notification. Dimensions are nominal measurements only. The information listed is correct at the time of publication, however ABI and the manufacturer/distributor takes no responsibility for printing errors. Copyright © ABI Interiors 2021.

INSTALLATION GUIDE

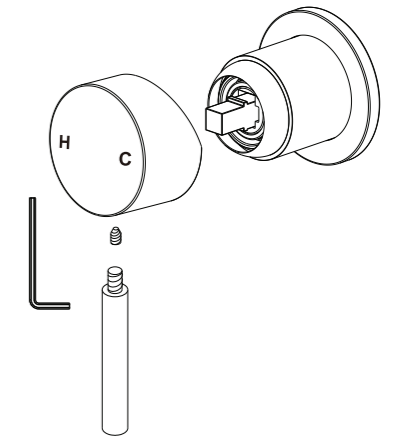
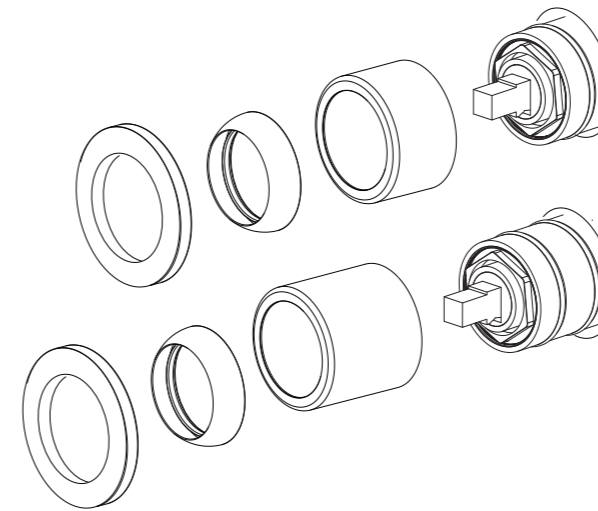
Note: This product must be installed by a licensed plumber. This is a general installation guide - there are many factors that are involved that can alter the installation method. This product install must comply with AS/NZS 3500.

See 316 Stainless Steel In Wall Mixer Body install guide for Steps 1 - 3 (Rough In)

FIT OFF

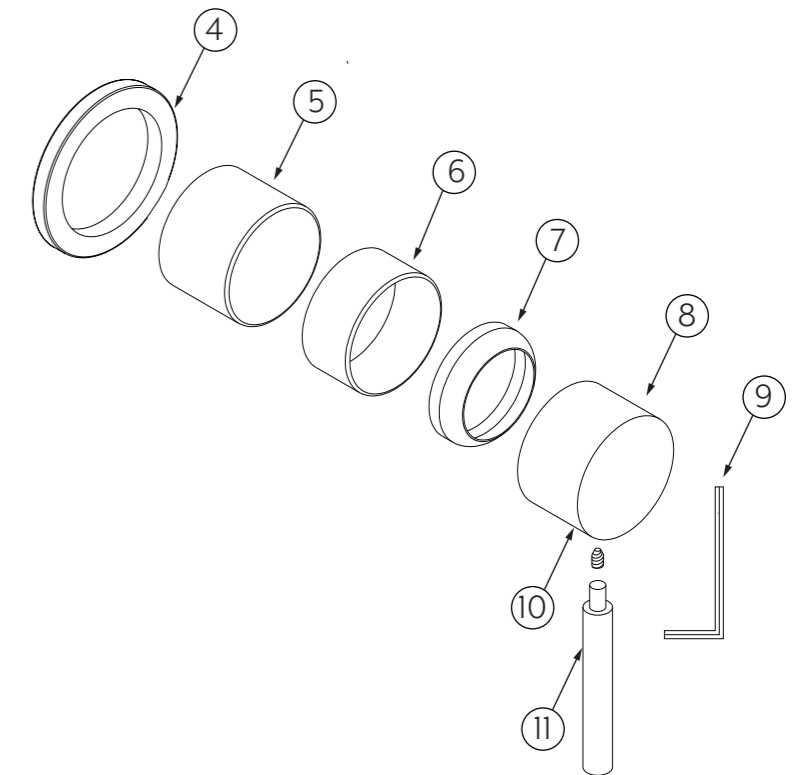
4 Push the sleeve over the body until it is as far back as possible and nut thread is exposed. Screw the dome onto the brass fitting and tighten. Select either short or long cover sleeve according to in wall set back established in Rough In (see 316 Stainless Steel In Wall Mixer Body install guide for more info).

5 Place the handle onto the fitting. Fasten the grub screw firmly with the allen key.



IN THE BOX (HANDLE KIT)

4. Back plate
5. Long cover sleeve
6. Short cover sleeve
7. Dome
8. Mixer handle
9. Allen key
10. Grub screw
11. Handle



Regularly clean with mild liquid detergent or soap and water



DO NOT use cream cleaners or bleach. These substances are abrasive.



DO NOT use cleaning pads with abrasive surfaces as this may scratch the material.