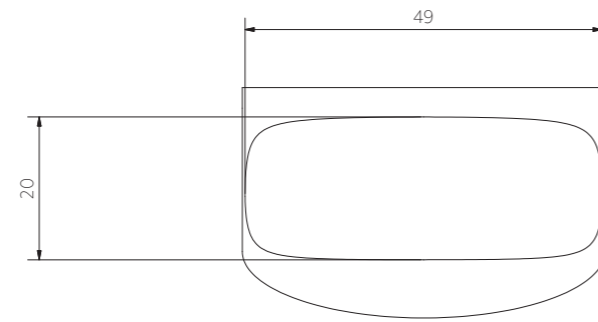
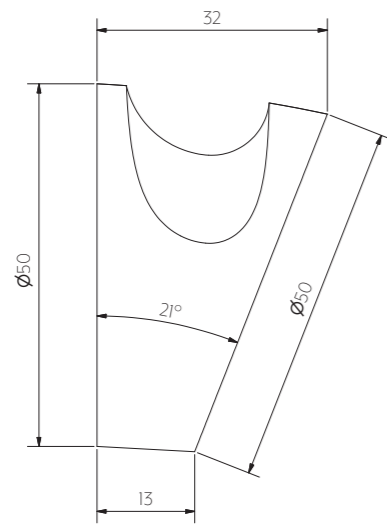


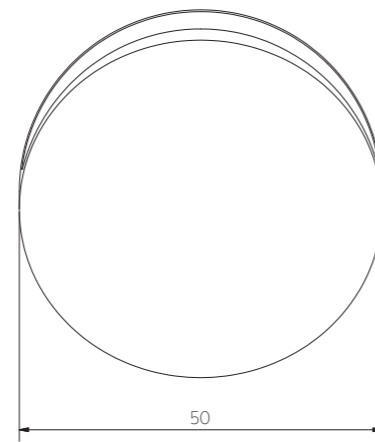
SOLA OUTDOOR ROBE HOOK



Top View



Side View



Front View

Note: Dimensions are nominal measurements only

SPECIFICATIONS

RECOMMENDED USE	Domestic - Outdoor
MATERIAL	Stainless Steel 316
MOUNTING HARDWARE INCLUDED	Yes
SCREW/ BOLT TYPE	(4Mx25mm screw & wall plug) x2
WEIGHT	N/A

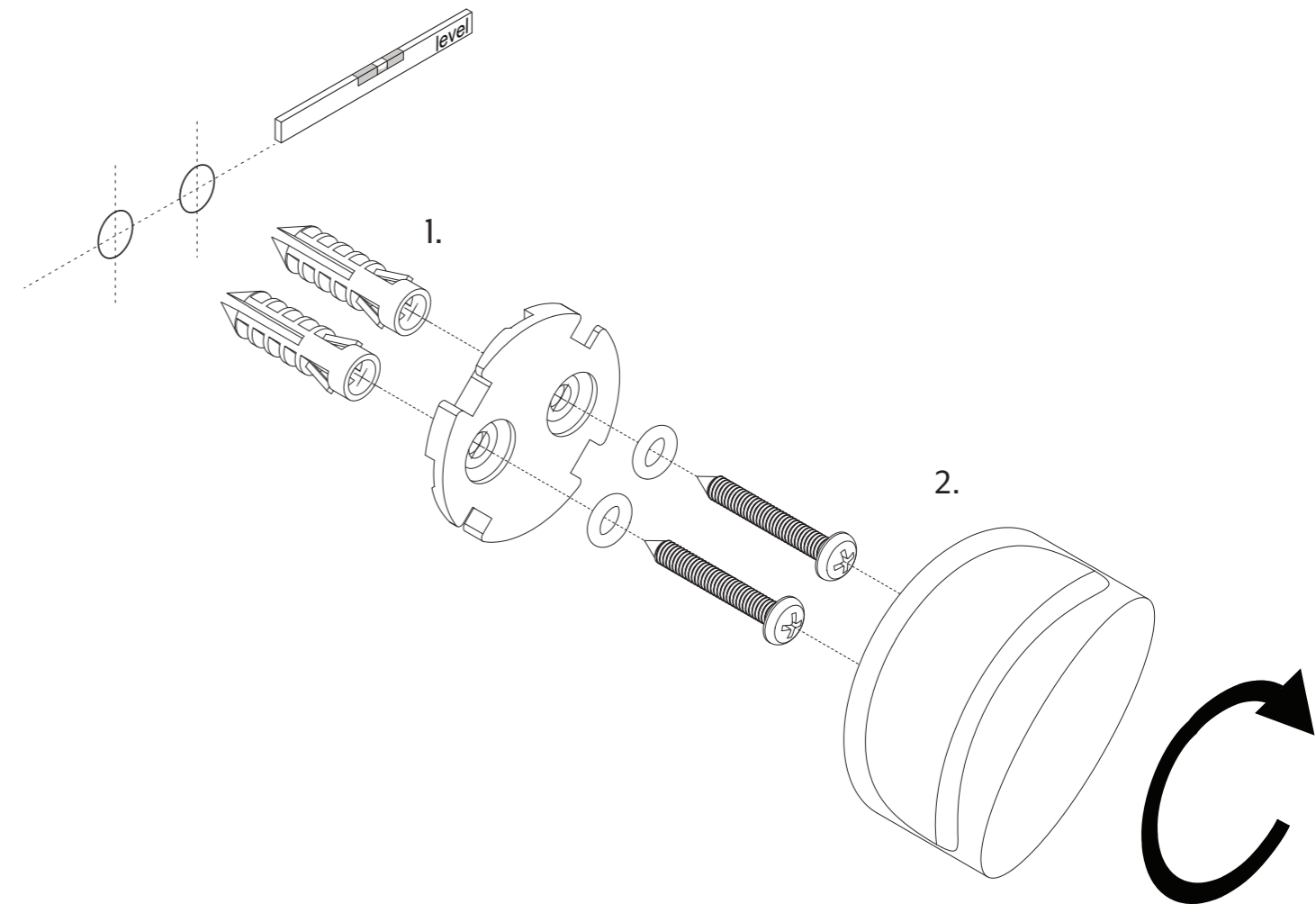
Disclaimer: Products in this specification manual must by regulation be installed by licensed and registered trade people. The manufacturer/distributor reserves the right to vary specifications or delete models from their range without prior notification. Dimensions are nominal measurements only. Dimensions and set-outs listed are correct at time of publication however the manufacturer/distributor takes no responsibility for printing errors. All ABI Products are designed in Australia. Copyright ABI Interiors Pty Ltd 2021.

INSTALLATION GUIDE

Note: This product must be installed by a licensed tradesperson. This is a general installation guide - there are many factors that are involved that can alter the installation method. ABI takes no responsibility if your product is not fixed to adequate wall structure

- 1 Fix the bracket to the wall, ensure there is sufficient wall structure for the screws to bite into. Be sure to use the correct fixing hardware depending on your wall material. Align screw holes either vertically or horizontally and ensure rubber O-ring sits between screw and bracket.
*For easy removal Do Not overtighten screws.

- 2 Push the robe hook over the bracket and turn 45 degrees clockwise to fasten.



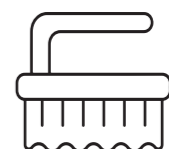
IN THE BOX		1x Robe Hook		2x Screws		2x Rubber O-Ring
		1x Bracket		2x Wall Plugs		



Regularly clean with mild liquid detergent or soap and water



DO NOT use cream cleaners or bleach. These substances are abrasive



DO NOT use cleaning pads with abrasive surfaces as this may scratch the material