

Front View

**Note:** Dimensions are nominal measurements only

## SPECIFICATIONS

### RECOMMENDED USE

Domestic

### MATERIAL

Solid Brass

### TEMPERATURE RATING

Maximum continuous working temperature 75°C  
If the water temperature exceeds 75°C, an approved tempering valve must be fitted

### PRESSURE RATING

Recommended minimum working pressure 150kPa  
Recommended maximum working pressure 500kPa  
Hot and cold water inlet pressure should be equal

### FUNCTION

1/4 turn (clockwise & anti-clockwise spindle in set)

## INSTALLATION GUIDE

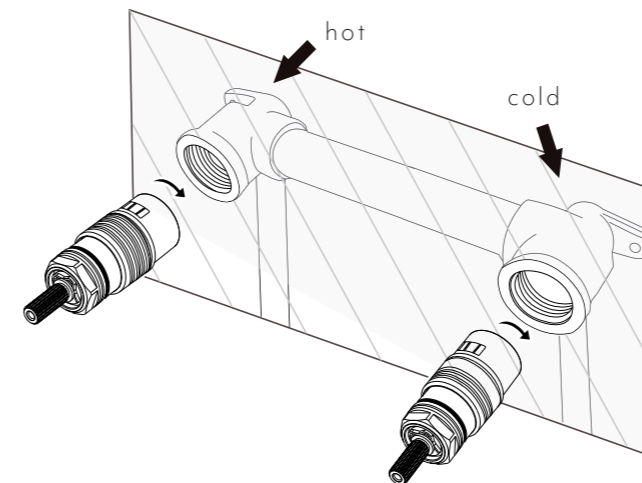
Note: This product must be installed by a licensed plumber. This is a general installation guide - there are many factors that are involved that can alter the installation method.

- 1 New Build**  
Install breach in desired position.

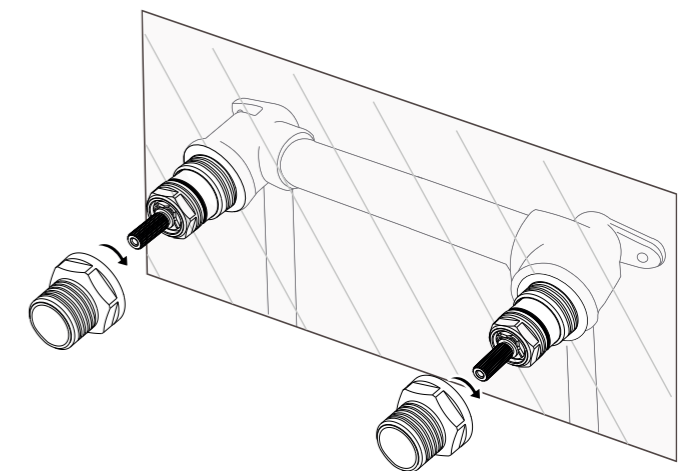
### Retrofitting Existing

Remove existing tapware & reseal existing body seats until shiny & smooth.

Screw spindle into breach and hand tighten until rear of spindle meets the body seat, **be sure not to overtighten**. If necessary apply more pressure lightly with spanner. (Note: Locking nut must be removed prior to installing this part of the spindle)

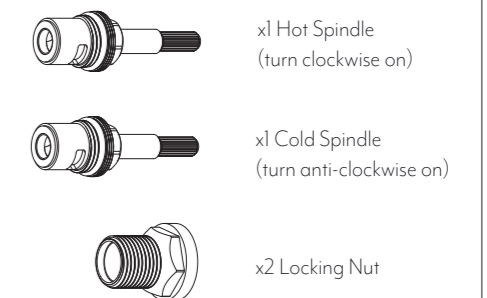


- 2** Screw on the locking nut and tighten with spanner.  
**TEST AND COMMISSION . ENSURE THERE ARE NO LEAKS.**



- 3** Continue with the installation of the handles.  
\*See the install guide specific to your handle design

### IN THE BOX



\*Your spindle will come assembled with the locking nut attached